

Data Sheet

Thermostat Type **UT**



The UT thermostat is a temperature-controlled electric switch with stainless steel (18/8) or copper capillary and sensor.

The temperature can be set easily and accurately using the large knob on the front of the thermostat. The temperature must be set to correspond to the required mean temperature.

Features:

- The thermostat has a fixed differential
- The temperature must be set in accordance with the required mean temperature
- Electric connections are made by means of cable clamps and terminal screws
- AMP quick connectors may be used in connection with cabinet mounting
- UT is available for wall or panel mounting, and can be used for: cold rooms, beverage coolers, ice cream makers, milk coolers, refrigerated counters, air-conditioning plant, heat recovery systems

Product specification

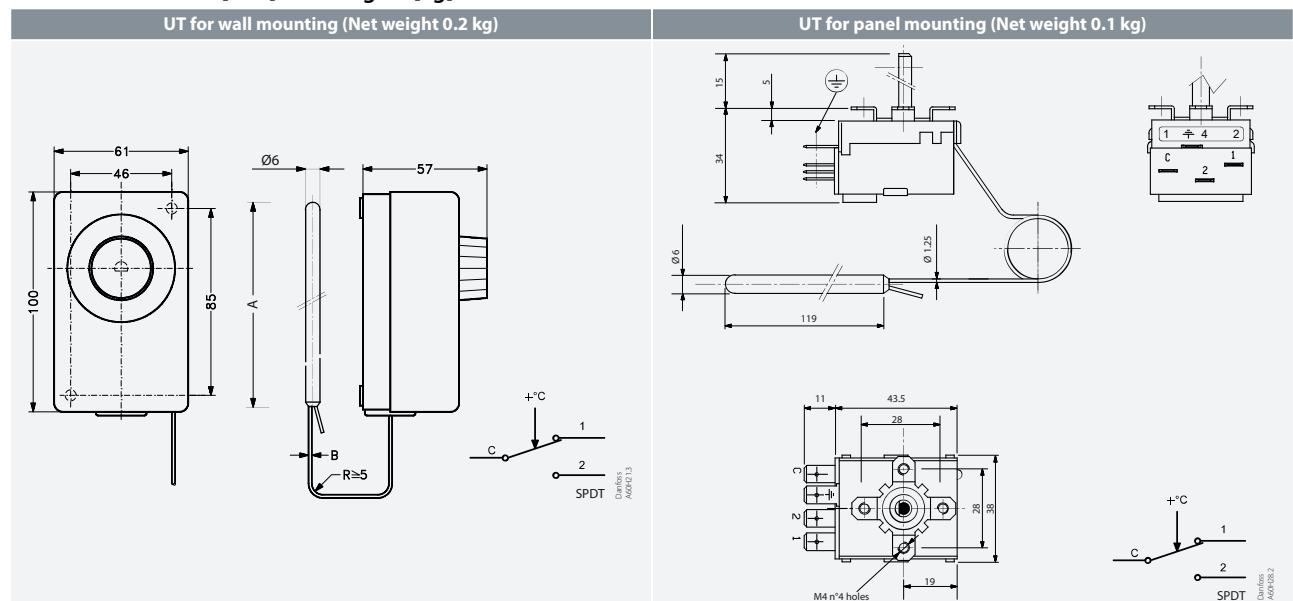
Technical data

Table 1: Technical data

Features	Values
Function range: UT 72 (for universal purposes)	-30 – 30 °C
Function range: UT 73 (for frost protection)	2.5 – 40 °C
Ambient temperature	-30 – 55 °C
Reset	Automatic
Differential	Fixed, 3.0 K
Switch system	Changeover (SPDT) switch
Contact load	AC-1: 16 A / 250 V
	AC-3: 7.5 A / 250 V
	AC-15: 1 A / 250 V
Capillary tube	Copper or 18/8 steel
Sensor	Copper or 18/8 steel
UT for wall mounting	IP20 to EN 60529 / IEC 529
UT for building in	IP00 to EN 60529 / IEC 529

Dimensions [mm] and weights [kg]

Table 2: Dimensions [mm] and weights [kg]



Type	A		B	
	Copper	18/8	Copper	18/8
UT 72	max. 119	max. 150	1.25	0.9
UT 73	max. 119	-	1.25	-

Ordering

Table 3: Ordering

Version	Type	Range	Differential	Reset	Max. sensor temperature	Capillary tube length	Qty.	Code no.	
		[°C]	[K]		[°C]	[m]		Copper	18/8
Wall mounting	UT 72	-30 – 30	3	aut.	80	2	1	060H1701	060H1706
	UT 72	-30 – 30	3	aut.	80	2	1	060H1703 ⁽¹⁾	–
	UT 72	-30 – 30	3	aut.	80	3	1	060H1705	–
	UT 73	2.5 – 40	3	aut.	80	2	1	060H1702	–
	UT 72	-30 – 30	3	aut.	80	3	24	060H1708	–
Building in	UT 72	-30 – 30	3	aut.	80	3	48	060H1805	–
	UT 73	2.5 – 40	3	aut.	80	2	48	060H1802	–

⁽¹⁾ Incl. bulb clamps.

Accessories

Table 4: Accessories

Type	Qty.	UT 72	UT 73
Setting knobs	48	060-1067	060-1096
Bulb clamp	36	060-1090	060-1090

Certificates, declarations, and approvals

The list contains all certificates, declarations, and approvals for this product type. Individual code number may have some or all of these approvals, and certain local approvals may not appear on the list.

Some approvals may change over time. You can check the most current status at danfoss.com or contact your local Danfoss representative if you have any questions.

Table 5: Certificates, declarations, and approvals

File name	Document type	Document topic	Approval authority
RU C-DK.БЛ08.B.00341_19	Electrical - Safety Certificate	EMC/LVE	EAC
UA.10146.D.00075-19	UA Declaration	EMCD/LVD	LLC CDC EURO TYSK
060-9639.AB	Manufacturers Declaration	China RoHS	Danfoss

CE-marked in accordance with:

- LVD 2006/95/EC (EN 60730-1-2000)
- EMC directive 2004/108/EC (EN 61000-6-3-2002; EN 61000-6-1-2002)

Online support

Danfoss offers a wide range of support along with our products, including digital product information, software, mobile apps, and expert guidance. See the possibilities below.

The Danfoss Product Store



The Danfoss Product Store is your one-stop shop for everything product related—no matter where you are in the world or what area of the cooling industry you work in. Get quick access to essential information like product specs, code numbers, technical documentation, certifications, accessories, and more.

Start browsing at store.danfoss.com.

Find technical documentation



Find the technical documentation you need to get your project up and running. Get direct access to our official collection of data sheets, certificates and declarations, manuals and guides, 3D models and drawings, case stories, brochures, and much more.

Start searching now at www.danfoss.com/en/service-and-support/documentation.

Danfoss Learning



Danfoss Learning is a free online learning platform. It features courses and materials specifically designed to help engineers, installers, service technicians, and wholesalers better understand the products, applications, industry topics, and trends that will help you do your job better.

Create your Danfoss Learning account for free at www.danfoss.com/en/service-and-support/learning.

Get local information and support



Local Danfoss websites are the main sources for help and information about our company and products. Find product availability, get the latest regional news, or connect with a nearby expert—all in your own language.

Find your local Danfoss website here: www.danfoss.com/en/choose-region.