



 **Taurus**

AIR-COOLED CONDENSING UNITS

with semi-hermetic reciprocating compressors



CONTENTS

1.	TAURUS CONDENSING UNITS.....	3
2.	TAURUS CONDENSING UNITS FOR LT RANGE WITH 2-STAGE COMPRESSOR.....	4
3.	TAURUS CODE EXPLANATION.....	5
4.	EQUIPMENT RANGE - STANDARD DESIGN.....	6
5.	EQUIPMENT RANGE - ADDITIONAL OPTIONS.....	7
6.	COOLING CAPACITY AND POWER CONSUMPTION FOR R449A/R448A.....	8-16
7.	COOLING CAPACITY AND POWER CONSUMPTION FOR R404A/R507A.....	17-25
8.	TECHNICAL DATA.....	26-27
9.	DIMENSIONS AND DRAWINGS.....	28-30
10.	CE DECLARATION OF CONFORMITY.....	31

TAURUS CONDENSING UNITS

Air-cooled condensing units series TAURUS are designed depending on the model for: medium, high or low temperature application in standard ambient conditions. Special designs for high ambient temperatures are also possible. Units with an enlarged condenser also provide more energy-efficient operation.

The design is based on a well-known and proven technology, thanks to that high efficiency is achieved in a compact refrigeration unit.

The standard version of the unit consists of:

- ▶ semi-hermetic reciprocating compressor
- ▶ liquid receiver
- ▶ air-cooled condenser with fans
- ▶ base frame, piping

▶ It is possible to equip a standard unit with a wide range of options.



BASIC FEATURES OF THE UNITS

- ▶ Wide range of capacities and applications using a compact refrigeration unit.
- ▶ Recognized and proven technology.
- ▶ Alternative to central units (decentralized systems - less refrigerant charge).
- ▶ Easy start-up and simple maintenance of the unit.
- ▶ High reliability of the unit thanks to the use of proven components and stainless steel pipelines (standard version).
- ▶ Easy access to all condensing unit components.
- ▶ Reliable, efficient Bitzer compressor.



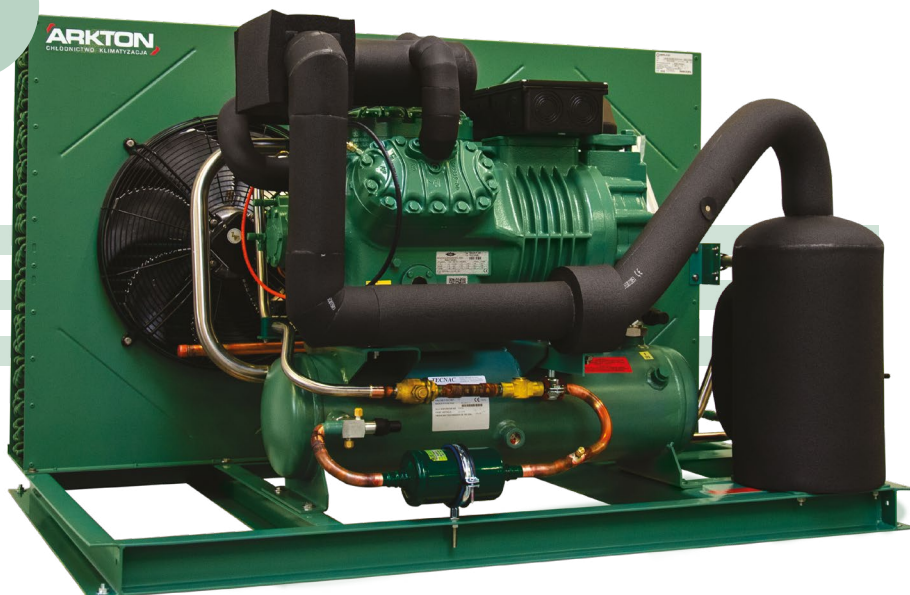
TAURUS CONDENSING UNITS FOR LT RANGE WITH 2-STAGE COMPRESSOR

A series of specialized TAURUS air-cooled condensing units with a 2-stage semi-hermetic reciprocating compressors was designed in order to meet the market requirements for very low temperature applications.

Thanks to the ability of use at very low evaporation temperature of the refrigerant, these units are suitable for applications such as:



- ▶ FREEZING CHAMBERS
- ▶ FREEZER ROOMS
- ▶ BLAST FREEZERS



BASIC FEATURES OF THE LT RANGE UNITS

- ▶ Achieving very low evaporation temperatures.
- ▶ Achieving relatively high capacities using a compact refrigeration unit.
- ▶ An alternative to central units.
- ▶ Very high energy efficiency of 2-stage compressors, additionally increased by the use of a liquid subcooler on the interstage level.
- ▶ High reliability of the units thanks to the use of proven components.
- ▶ Easy access to all condensing unit components.
- ▶ No external oil cooler required.
- ▶ Reliable, efficient Bitzer compressors.



TAURUS CODE EXPLANATION



AA - B K - 84 / 4CES-9 Y R1 E F W

▼ ▼ ▼ ▼ ▼ / ▼ ▼ ▼ ▼ ▼

1 2 3 4 4a 5 6 7 8 9 10

- 1** - condensing unit manufacturer
- 2** - compressor manufacturer (B - Bitzer)
- 3** - version: (K) catalogue / (I) customized / (KI) with options not included in this catalogue
- 4** - type of condenser
- 4a** - version: () standard / (Q) quiet / (H) tropic / (L) very low temperature
- 5** - type of compressor
- 6** - oil type (Y - ester oil)

Selected options:

- 7** - capacity regulation (digit represents the number of regulation steps of the compressor)
- 8** - control cabinet (E)
- 9** - frequency inverter (F)
- 10** - heat recovery [W]

EQUIPMENT RANGE - STANDARD DESIGN TAURUS		RECIPROCATING COMPRESSOR										
		1-stage					2-stage					
		Condenser 33-84		Condenser 104-135			Condenser R076-R140		Condenser 104-135		Condenser R066	
COMPRESSOR EQUIPMENT	2KES..2FES	2EES..2CES	4FES..4BES	4TES..4NES	4JE..4GE	6JE..6HE	4HE..4FE	6HE..6FE	S4T..S4N	S4G	S6J..S6G	S6G..S6F
Sight glass	●	●	●	●	●	●	●	●	●	●	●	●
Crankcase heater	●	●	●	●	●	●	●	●	●	●	●	●
Suction and discharge shut-off valves	●	●	●	●	●	●	●	●	●	●	●	●
Motor protection device	●	●	●	●	●	●	●	●	●	●	●	●
Integrated mechanical filter (strainer) on suction line	●	●	●	●	●	●	●	●	●	●	●	●
Oil charge BSE32	●	●	●	●	●	●	●	●	●	●	●	●
Subcooler with a vibration eliminator and muffler	-	-	-	-	-	-	-	-	-	-	-	-
AIR-COOLED CONDENSER WITH MOUNTED FANS	1-fan	● ¹⁾	-	-	-	-	-	-	-	-	-	-
2-fans	-	-	● ¹⁾	●	●	●	-	-	●	●	●	-
Condenser 2- or 3-fans ²⁾	-	-	-	-	-	-	●	●	-	-	-	●
REFRIGERANT RECEIVER	●	●	● ³⁾	● ³⁾	-	-	-	-	-	-	-	-
SINGLE SAFETY VALVE	-	-	-	-	-	-	●	●	-	-	-	-
DOCUMENTATION: USER MANUAL CE DECLARATION OF CONFORMITY	●	●	●	●	●	●	●	●	●	●	●	●

¹⁾ For **4EES-6Y**, **4DES-5Y** and **4CES-6Y** compressors, there are units in two variants of condenser with: **1- or 2-fans**.

²⁾ **6GE-34Y** and **6FE-44Y** compressors are only available in **3-fan** condenser configuration.

³⁾ Vertical refrigerant receiver is present in condensing units with **1-stage compressors and up to the 114 condenser**.

EQUIPMENT RANGE - ADDITIONAL OPTIONS TAURUS

		RECIPROCATING COMPRESSOR													
		1-stage							2-stage						
		Condenser 33-135							Condenser 104-135						
		2KES..2FES	2EES..2CES	4FES..4BES	4TES..4NES	4JE..4GE	6JE..6HE	4HE..4FE	6HE..6FE	S4T..S4N	S4G	S6J..S6G	S6G..S6F	Condenser R066	
OIL MONITORING	MP54 differential pressure switch	-	-	-	-	•	•	•	•	•	•	•	•	•	
	Delta PII e.l. differential pressure switch	-	-	-	-	•	•	•	•	•	•	•	•	•	
CAPACITY ADJUSTMENT	OLC-K1 optical sensor	-	-	•	•	-	-	-	-	-	-	-	-	-	
	1x CRII, 230 V-1-50/60 Hz	-	•	•	•	•	•	•	•	•	•	•	•	•	
	2x CRII, 230 V-1-50/60 Hz	-	-	•	•	•	•	•	•	•	•	•	•	•	
Start unloader		-	-	-	•	•	•	•	•	•	•	•	•	•	
Head cooling fan		•	•	•	•	•	•	•	•	•	•	•	•	•	
Discharge temperature sensor		-	-	-	-	-	-	-	-	•	•	•	•	•	
Condenser fan in a different version of the supply		-	•	•	•	•	•	•	•	•	•	•	•	•	
Condenser fan speed controller		•	•	•	•	•	•	•	•	•	•	•	•	•	
Casing		•	•	•	•	•	•	•	•	•	•	•	•	•	
Casing with soundproof insulation		•	•	•	•	•	•	•	•	•	•	•	•	•	
DISCHARGE LINE	Oil separator	•	•	•	•	•	•	•	•	•	•	•	•	•	
	Oil separator heater	•	•	•	•	•	•	•	•	•	•	•	•	•	
	Oil separator insulation	•	•	•	•	•	•	•	•	•	•	•	•	•	
	Vibration eliminator	•	•	•	•	•	•	•	•	•	S	S	S	S	
	Muffler	-	-	-	-	-	-	-	-	-	•	•	•	•	
	Check valve	•	•	•	•	•	•	•	•	•	•	•	•	•	
	Solenoid valve	•	•	•	•	•	•	•	•	•	•	•	•	•	
SUCTION LINE	Shut-off valve	•	•	•	•	•	•	•	•	•	•	•	•	•	
	Suction accumulator ¹⁾	-	-	•	•	•	•	•	•	•	•	•	•	•	
	Insulated suction line ¹⁾	-	-	•	•	•	•	•	•	•	•	•	•	•	
	Vibration eliminator ¹⁾	-	-	•	•	•	•	•	•	•	•	•	•	•	
	Shut-off valve ¹⁾	-	-	•	•	•	•	•	•	•	•	•	•	•	
LIQUID LINE	Filter drier	•	•	•	•	•	•	•	•	•	•	•	•	•	
	Sight glass	•	•	•	•	•	•	•	•	•	•	•	•	•	
	Shut-off valve	•	•	•	•	•	•	•	•	•	•	•	•	•	
	Solenoid valve	•	•	•	•	•	•	•	•	•	•	•	•	•	
	Subcooler inlet vibration eliminator	-	-	-	-	-	-	-	-	-	•	•	•	•	
PRESSURE SWITCHES	Subcooler outlet vibration eliminator (loose)	-	-	-	-	-	-	-	-	-	-	-	-	•	
	Dual HP/LP	•	•	•	•	•	•	•	•	•	•	•	•	•	
	Single LP	•	•	•	•	•	•	•	•	•	•	•	•	•	
	Single HP	•	•	•	•	•	•	•	•	•	•	•	•	•	
Dual safety valve with shut-off valve	-	-	-	-	-	-	-	-	-	•	•	•	•		

¹⁾Except for the unit with **84** condenser. **S** - standard



COOLING CAPACITY AND POWER CONSUMPTION R449A/R448A UNITS WITH 1-STAGE COMPRESSOR

TYPE	t _a		Q _o COOLING CAPACITY [kW] P _e ** POWER CONSUMPTION [kW]							
			EVAPORATION TEMPERATURE [°C]							
			5	0	-5	-10	-15	-20	-25	-30
AA-BK-33/2KES-05Y	27	Q _o	3,26	2,76	2,31	1,90	1,52	1,19	0,90	0,65
		P _e	1,02	0,94	0,86	0,77	0,69	0,61	0,52	0,43
	32	Q _o	2,97	2,51	2,09	1,71	1,37	1,07	0,80	0,57
		P _e	1,07	0,98	0,88	0,79	0,70	0,60	0,51	0,42
	37	Q _o	2,73	2,27	1,86	1,51	1,21	0,95	0,75	0,51
		P _e	1,12	1,02	0,91	0,81	0,70	0,60	0,50	0,40
AA-BK-33/2JES-07Y	27	Q _o	4,02	3,40	2,86	2,38	1,95	1,55	1,20	0,89
		P _e	1,43	1,31	1,19	1,07	0,94	0,83	0,71	0,60
	32	Q _o	3,66	3,09	2,59	2,15	1,76	1,40	1,08	0,79
		P _e	1,51	1,37	1,23	1,10	0,96	0,83	0,71	0,59
	37	Q _o	-	2,86	2,36	1,93	1,55	1,23	0,95	0,72
		P _e	-	1,42	1,28	1,13	0,98	0,84	0,71	0,59
AA-BK-44/2HES-1Y	27	Q _o	-	4,66	3,88	3,19	2,58	2,04	1,57	1,17
		P _e	-	1,61	1,47	1,33	1,19	1,05	0,90	0,76
	32	Q _o	-	4,29	3,57	2,93	2,36	1,86	1,43	1,05
		P _e	-	1,69	1,53	1,37	1,22	1,06	0,91	0,76
	37	Q _o	-	-	3,24	2,62	2,08	1,63	1,25	0,93
		P _e	-	-	1,60	1,43	1,26	1,08	0,92	0,76
AA-BK-44/2HES-2Y	27	Q _o	5,49	4,65	3,88	3,19	2,58	2,04	1,57	1,17
		P _e	1,70	1,57	1,44	1,31	1,18	1,05	0,91	0,78
	32	Q _o	5,05	4,27	3,57	2,93	2,37	1,87	1,44	1,06
		P _e	1,80	1,65	1,50	1,36	1,21	1,06	0,92	0,77
	37	Q _o	4,76	3,94	3,23	2,61	2,09	1,64	1,26	0,93
		P _e	1,87	1,72	1,57	1,41	1,25	1,08	0,92	0,77
AA-BK-44/2GES-2Y	27	Q _o	6,18	5,26	4,42	3,66	2,97	2,37	1,82	1,38
		P _e	2,09	1,91	1,74	1,57	1,40	1,23	1,07	0,91
	32	Q _o	5,66	4,82	4,05	3,35	2,73	2,17	1,68	1,25
		P _e	2,23	2,02	1,82	1,62	1,43	1,25	1,08	0,91
	37	Q _o	5,49	4,54	3,73	3,02	2,42	1,90	1,46	1,09
		P _e	2,28	2,09	1,89	1,69	1,49	1,29	1,09	0,91
AA-BK-44/2FES-2Y	27	Q _o	-	6,24	5,28	4,40	3,61	2,89	2,26	1,70
		P _e	-	2,64	2,34	2,07	1,81	1,57	1,34	1,13
	32	Q _o	-	-	4,82	4,02	3,29	2,63	2,05	1,54
		P _e	-	-	2,47	2,15	1,87	1,60	1,36	1,13
	37	Q _o	-	-	4,59	3,71	2,95	2,31	1,76	1,30
		P _e	-	-	2,53	2,23	1,94	1,65	1,39	1,15
AA-BK-44/2FES-3Y	27	Q _o	7,26	6,23	5,28	4,40	3,61	2,90	2,27	1,71
		P _e	2,79	2,52	2,27	2,03	1,79	1,57	1,35	1,14
	32	Q _o	-	5,68	4,81	4,02	3,30	2,65	2,06	1,54
		P _e	-	2,66	2,38	2,10	1,85	1,60	1,37	1,14
	37	Q _o	-	5,57	4,57	3,70	2,96	2,33	1,78	1,32
		P _e	-	2,69	2,44	2,17	1,91	1,65	1,40	1,16
AA-BK-53/2FES-3Y	27	Q _o	7,60	6,51	5,49	4,56	3,72	2,98	2,32	1,75
		P _e	2,70	2,45	2,22	2,00	1,78	1,56	1,35	1,14
	32	Q _o	6,95	5,95	5,02	4,18	3,41	2,72	2,11	1,57
		P _e	2,87	2,59	2,33	2,07	1,83	1,59	1,36	1,14
	37	Q _o	6,34	5,42	4,57	3,80	3,09	2,45	1,89	1,39
		P _e	3,05	2,73	2,43	2,15	1,88	1,63	1,38	1,15

Additional fan cooling required for compressor heads.

► COOLING CAPACITY AND POWER CONSUMPTION R449A/R448A UNITS WITH 1-STAGE COMPRESSOR

TYPE	t _a	▼		Q _o COOLING CAPACITY [kW]		P _e POWER CONSUMPTION [kW]					
				EVAPORATION TEMPERATURE [°C]						▼	
		5	0	-5	-10	-15	-20	-25	-30		
AA-BK-44/2EES-2Y	27	Q _o	-	-	6,31	5,28	4,36	3,52	2,79	2,14	
		P _e	-	-	2,71	2,39	2,08	1,79	1,52	1,27	
	32	Q _o	-	-	5,81	4,86	3,99	3,22	2,54	1,93	
		P _e	-	-	2,81	2,46	2,13	1,82	1,53	1,26	
	37	Q _o	-	-	5,75	4,65	3,71	2,90	2,24	1,67	
		P _e	-	-	2,82	2,49	2,16	1,84	1,53	1,24	
AA-BK-53/2EES-2Y	27	Q _o	-	7,75	6,57	5,49	4,51	3,63	2,86	2,19	
		P _e	-	2,99	2,66	2,35	2,05	1,78	1,51	1,27	
	32	Q _o	-	7,17	6,06	5,05	4,14	3,33	2,60	1,98	
		P _e	-	3,12	2,76	2,43	2,11	1,81	1,53	1,27	
	37	Q _o	-	-	-	4,64	3,79	3,03	2,35	1,76	
		P _e	-	-	-	2,49	2,15	1,83	1,53	1,25	
AA-BK-64/2EES-3Y	27	Q _o	10,87	9,13	7,58	6,21	5,02	3,99	3,10	2,35	
		P _e	2,79	2,59	2,39	2,18	1,96	1,74	1,52	1,30	
	32	Q _o	10,12	8,49	7,03	5,74	4,63	3,66	2,83	2,13	
		P _e	2,98	2,76	2,52	2,28	2,04	1,79	1,54	1,30	
	37	Q _o	9,34	7,79	6,43	5,23	4,19	3,30	2,53	1,88	
		P _e	3,17	2,91	2,65	2,38	2,10	1,83	1,56	1,29	
AA-BK-53/2DES-2Y	27	Q _o	-	8,69	7,45	6,28	5,20	4,23	3,36	2,60	
		P _e	-	3,81	3,35	2,94	2,56	2,20	1,87	1,56	
	32	Q _o	-	-	6,87	5,77	4,77	3,87	3,07	2,35	
		P _e	-	-	3,48	3,04	2,63	2,25	1,89	1,57	
	37	Q _o	-	-	-	5,31	4,37	3,53	2,78	2,11	
		P _e	-	-	-	3,11	2,68	2,28	1,90	1,56	
AA-BK-64/2DES-3Y	27	Q _o	12,58	10,61	8,84	7,28	5,91	4,72	3,70	2,82	
		P _e	3,47	3,19	2,92	2,64	2,37	2,09	1,82	1,56	
	32	Q _o	11,71	9,86	8,20	6,74	5,46	4,34	3,39	2,56	
		P _e	3,71	3,39	3,08	2,77	2,46	2,16	1,86	1,57	
	37	Q _o	10,81	9,06	7,51	6,15	4,96	3,93	3,04	2,27	
		P _e	3,93	3,58	3,24	2,89	2,55	2,21	1,88	1,57	
AA-BK-64/2CES-3Y	27	Q _o	-	12,58	10,55	8,74	7,14	5,74	4,53	3,49	
		P _e	-	4,15	3,75	3,37	3,00	2,64	2,29	1,95	
	32	Q _o	-	11,71	9,80	8,10	6,60	5,29	4,16	3,18	
		P _e	-	4,40	3,97	3,54	3,13	2,73	2,35	1,99	
	37	Q _o	-	-	9,02	7,42	6,01	4,80	3,75	2,85	
		P _e	-	-	4,17	3,70	3,25	2,82	2,40	2,01	
AA-BK-84/2CES-4Y	27	Q _o	15,52	13,11	10,95	9,04	7,37	5,91	4,66	3,58	
		P _e	4,21	3,89	3,57	3,24	2,92	2,59	2,27	1,95	
	32	Q _o	14,46	12,19	10,17	8,38	6,81	5,46	4,28	3,28	
		P _e	4,51	4,15	3,78	3,41	3,05	2,68	2,33	1,99	
	37	Q _o	13,39	11,24	9,34	7,67	6,21	4,95	3,86	2,93	
		P _e	4,79	4,39	3,99	3,58	3,17	2,77	2,38	2,01	
AA-BK-64/4FES-3Y	27	Q _o	-	13,60	11,41	9,46	7,73	6,21	4,90	3,77	
		P _e	-	4,56	4,12	3,69	3,27	2,87	2,48	2,11	
	32	Q _o	-	12,63	10,58	8,74	7,12	5,70	4,47	3,42	
		P _e	-	4,83	4,34	3,87	3,41	2,97	2,55	2,14	
	37	Q _o	-	-	9,72	7,99	6,47	5,15	4,02	3,05	
		P _e	-	-	4,54	4,03	3,54	3,06	2,60	2,17	

Additional fan cooling required for compressor heads.

► COOLING CAPACITY AND POWER CONSUMPTION R449A/R448A UNITS WITH 1-STAGE COMPRESSOR

TYPE	t _a	Q _o COOLING CAPACITY [kW]		P _e POWER CONSUMPTION [kW]						
		EVAPORATION TEMPERATURE [°C]								
		5	0	-5	-10	-15	-20	-25	-30	
AA-BK-84/4FES-5Y	27	Q _o	16,83	14,23	11,89	9,82	8,00	6,41	5,05	3,87
		P _e	4,61	4,26	3,91	3,54	3,18	2,82	2,46	2,11
	32	Q _o	15,66	13,21	11,02	9,08	7,38	5,90	4,63	3,53
		P _e	4,90	4,52	4,12	3,72	3,32	2,92	2,53	2,15
	37	Q _o	14,49	12,16	10,10	8,29	6,70	5,33	4,16	3,15
		P _e	5,16	4,75	4,32	3,89	3,45	3,02	2,59	2,18
AA-BK-64/4EES-4Y	27	Q _o	-	16,15	13,64	11,36	9,33	7,53	5,96	4,60
		P _e	-	6,05	5,39	4,77	4,17	3,61	3,08	2,59
	32	Q _o	-	-	12,61	10,48	8,58	6,90	5,43	4,17
		P _e	-	-	5,64	4,97	4,33	3,73	3,16	2,63
	37	Q _o	-	-	-	9,57	7,79	6,23	4,87	3,70
		P _e	-	-	-	5,15	4,47	3,82	3,21	2,65
AA-BK-84/4EES-6Y	27	Q _o	20,07	17,05	14,32	11,88	9,72	7,82	6,17	4,75
		P _e	6,15	5,61	5,08	4,56	4,05	3,55	3,07	2,60
	32	Q _o	18,63	15,80	13,24	10,97	8,95	7,18	5,65	4,32
		P _e	6,50	5,91	5,34	4,77	4,21	3,67	3,15	2,65
	37	Q _o	-	14,55	12,14	10,00	8,12	6,49	5,07	3,84
		P _e	-	6,18	5,56	4,96	4,36	3,78	3,21	2,68
AA-BK-104/4EES-6Y	27	Q _o	21,51	18,16	15,16	12,51	10,18	8,15	6,41	4,91
		P _e	5,77	5,32	4,86	4,40	3,94	3,48	3,02	2,58
	32	Q _o	20,09	16,93	14,10	11,60	9,41	7,52	5,89	4,49
		P _e	6,15	5,64	5,14	4,63	4,11	3,61	3,11	2,63
	37	Q _o	18,61	15,63	12,98	10,64	8,61	6,84	5,33	4,03
		P _e	6,51	5,95	5,39	4,83	4,28	3,73	3,19	2,67
AA-BK-84/4DES-5Y	27	Q _o	-	19,33	16,29	13,56	11,11	8,95	7,07	5,45
		P _e	-	6,91	6,19	5,50	4,84	4,21	3,62	3,05
	32	Q _o	-	-	15,07	12,50	10,21	8,20	6,45	4,93
		P _e	-	-	6,47	5,72	5,01	4,33	3,68	3,08
	37	Q _o	-	-	13,85	11,42	9,27	7,40	5,77	4,37
		P _e	-	-	6,72	5,92	5,15	4,42	3,73	3,08
AA-BK-104/4DES-7Y	27	Q _o	24,51	20,76	17,39	14,38	11,72	9,41	7,41	5,68
		P _e	6,92	6,35	5,78	5,22	4,66	4,11	3,57	3,05
	32	Q _o	22,88	19,33	16,15	13,32	10,83	8,67	6,79	5,18
		P _e	7,32	6,69	6,07	5,45	4,84	4,24	3,65	3,09
	37	Q _o	21,17	17,83	14,85	12,21	9,89	7,88	6,14	4,65
		P _e	7,69	7,01	6,33	5,66	4,99	4,34	3,71	3,10
AA-BK-114/4DES-7Y	27	Q _o	25,34	21,37	17,81	14,67	11,92	9,53	7,48	5,72
		P _e	6,70	6,20	5,68	5,15	4,62	4,09	3,56	3,05
	32	Q _o	23,64	19,89	16,55	13,60	11,02	8,78	6,86	5,22
		P _e	7,13	6,56	5,98	5,39	4,80	4,22	3,64	3,09
	37	Q _o	21,83	18,34	15,23	12,49	10,10	8,03	6,25	4,72
		P _e	7,55	6,91	6,26	5,61	4,96	4,32	3,70	3,10
AA-BK-84/4CES-6Y	27	Q _o	-	-	19,13	16,04	13,26	10,78	8,60	6,71
		P _e	-	-	7,82	6,93	6,09	5,30	4,56	3,87
	32	Q _o	-	-	-	14,80	12,21	9,90	7,87	6,11
		P _e	-	-	-	7,20	6,30	5,46	4,66	3,93
	37	Q _o	-	-	-	13,59	11,15	8,99	7,10	5,46
		P _e	-	-	-	7,44	6,49	5,59	4,75	3,96

Additional fan cooling required for compressor heads.

► COOLING CAPACITY AND POWER CONSUMPTION R449A/R448A UNITS WITH 1-STAGE COMPRESSOR

TYPE	t _a	Q _o COOLING CAPACITY [kW] P _e POWER CONSUMPTION [kW]								
		EVAPORATION TEMPERATURE [°C]								
		5	0	-5	-10	-15	-20	-25	-30	
AA-BK-104/4CES-6Y	27	Q _o	-	24,44	20,60	17,15	14,08	11,38	9,03	7,00
		P _e	-	8,25	7,44	6,65	5,90	5,18	4,49	3,84
	32	Q _o	-	22,81	19,18	15,92	13,04	10,50	8,30	6,40
		P _e	-	8,69	7,80	6,96	6,14	5,35	4,61	3,90
	37	Q _o	-	-	17,71	14,65	11,95	9,58	7,54	5,78
		P _e	-	-	8,15	7,24	6,35	5,51	4,70	3,95
AA-BK-114/4CES-9Y	27	Q _o	29,79	25,28	21,21	17,59	14,39	11,60	9,17	7,09
		P _e	8,75	8,00	7,26	6,54	5,83	5,14	4,47	3,83
	32	Q _o	27,78	23,53	19,71	16,32	13,33	10,72	8,45	6,50
		P _e	9,30	8,47	7,66	6,86	6,08	5,32	4,59	3,89
	37	Q _o	25,60	21,67	18,14	15,00	12,23	9,82	7,73	5,92
		P _e	9,86	8,94	8,03	7,15	6,30	5,48	4,69	3,94
AA-BK-124/4CES-9Y	27	Q _o	30,87	26,13	21,88	18,09	14,77	11,89	9,39	7,25
		P _e	8,44	7,76	7,08	6,40	5,73	5,07	4,43	3,80
	32	Q _o	28,87	24,39	20,38	16,82	13,70	10,99	8,66	6,65
		P _e	9,01	8,24	7,49	6,74	5,99	5,26	4,56	3,88
	37	Q _o	26,75	22,53	18,78	15,46	12,56	10,05	7,88	6,02
		P _e	9,57	8,73	7,89	7,05	6,24	5,44	4,67	3,93
AA-BK-104/4BES-9Y	27	Q _o	-	26,10	22,07	18,42	15,16	12,28	9,77	7,59
		P _e	-	9,34	8,39	7,49	6,62	5,80	5,01	4,28
	32	Q _o	-	-	20,52	17,08	14,02	11,32	8,97	6,93
		P _e	-	-	8,79	7,81	6,88	5,98	5,14	4,35
	37	Q _o	-	-	18,92	15,70	12,84	10,32	8,13	6,25
		P _e	-	-	9,16	8,11	7,11	6,15	5,24	4,39
AA-BK-114/4BES-9Y	27	Q _o	-	27,13	22,82	18,96	15,53	12,53	9,92	7,67
		P _e	-	9,05	8,19	7,35	6,54	5,75	4,99	4,26
	32	Q _o	-	-	21,21	17,58	14,36	11,55	9,11	7,02
		P _e	-	-	8,61	7,69	6,80	5,94	5,12	4,34
	37	Q _o	-	-	19,53	16,15	13,17	10,56	8,30	6,36
		P _e	-	-	9,02	8,02	7,04	6,11	5,22	4,39
AA-BK-124/4BES-9Y	27	Q _o	-	28,08	23,57	19,54	15,98	12,87	10,17	7,86
		P _e	-	8,78	7,98	7,20	6,43	5,67	4,94	4,24
	32	Q _o	-	26,24	21,96	18,16	14,80	11,87	9,35	7,19
		P _e	-	9,30	8,42	7,55	6,71	5,88	5,08	4,32
	37	Q _o	-	-	20,26	16,69	13,55	10,82	8,48	6,48
		P _e	-	-	8,85	7,90	6,97	6,07	5,20	4,38
AA-BK-104/4TES-9Y	27	Q _o	-	29,03	24,59	20,53	16,88	13,64	10,78	8,31
		P _e	-	10,48	9,38	8,32	7,31	6,34	5,40	4,50
	32	Q _o	-	-	22,77	18,96	15,55	12,51	9,85	7,55
		P _e	-	-	9,76	8,63	7,54	6,49	5,48	4,52
	37	Q _o	-	-	-	17,34	14,16	11,34	8,88	6,74
		P _e	-	-	-	8,91	7,74	6,61	5,53	4,49
AA-BK-114/4TES-9Y	27	Q _o	-	30,40	25,59	21,25	17,37	13,96	10,99	8,43
		P _e	-	10,15	9,15	8,17	7,21	6,28	5,38	4,50
	32	Q _o	-	-	23,69	19,62	16,00	12,81	10,04	7,66
		P _e	-	-	9,57	8,51	7,47	6,45	5,47	4,52
	37	Q _o	-	-	21,67	17,92	14,58	11,64	9,09	6,88
		P _e	-	-	9,98	8,82	7,69	6,59	5,52	4,50

Additional fan cooling required for compressor heads.

► COOLING CAPACITY AND POWER CONSUMPTION R449A/R448A UNITS WITH 1-STAGE COMPRESSOR

TYPE	t _a	Q _o COOLING CAPACITY [kW]		P _e POWER CONSUMPTION [kW]						
		EVAPORATION TEMPERATURE [°C]								
		5	0	-5	-10	-15	-20	-25	-30	
AA-BK-124/4TES-12Y	27	Q _o	37,26	31,62	26,52	21,96	17,91	14,37	11,31	8,67
		P _e	10,36	9,52	8,68	7,83	6,99	6,14	5,30	4,48
	32	Q _o	34,70	29,39	24,60	20,32	16,53	13,23	10,36	7,89
		P _e	10,91	10,00	9,09	8,17	7,24	6,32	5,41	4,50
	37	Q _o	-	27,02	22,55	18,57	15,07	12,01	9,36	7,07
		P _e	-	10,47	9,48	8,48	7,47	6,47	5,47	4,49
AA-BK-114/4PES-12Y	27	Q _o	-	33,53	28,25	23,46	19,16	15,35	12,02	9,14
		P _e	-	11,53	10,33	9,16	8,03	6,94	5,88	4,86
	32	Q _o	-	-	26,01	21,53	17,52	13,98	10,88	8,20
		P _e	-	-	10,70	9,45	8,23	7,05	5,91	4,80
	37	Q _o	-	-	23,60	19,49	15,82	12,57	9,72	7,26
		P _e	-	-	11,03	9,69	8,38	7,11	5,88	4,70
AA-BK-124/4PES-12Y	27	Q _o	-	35,08	29,47	24,39	19,86	15,87	12,41	9,43
		P _e	-	11,22	10,10	9,00	7,93	6,88	5,86	4,86
	32	Q _o	-	-	27,23	22,46	18,22	14,49	11,25	8,47
		P _e	-	-	10,50	9,32	8,15	7,01	5,90	4,82
	37	Q _o	-	-	24,85	20,40	16,46	13,01	10,02	7,46
		P _e	-	-	10,87	9,59	8,33	7,10	5,89	4,73
AA-BK-135/4PES-15Y	27	Q _o	45,09	37,93	31,51	25,82	20,84	16,53	12,82	9,67
		P _e	11,31	10,45	9,58	8,68	7,75	6,82	5,87	4,92
	32	Q _o	41,89	35,13	29,10	23,77	19,11	15,09	11,64	8,69
		P _e	11,97	11,02	10,04	9,04	8,02	6,98	5,94	4,90
	37	Q _o	38,48	32,17	26,55	21,60	17,29	13,58	10,39	7,67
		P _e	12,60	11,55	10,47	9,36	8,24	7,10	5,95	4,81
AA-BK-124/4NES-14Y	27	Q _o	-	39,70	33,64	28,11	23,12	18,68	14,78	11,41
		P _e	-	14,00	12,53	11,12	9,76	8,45	7,19	5,98
	32	Q _o	-	-	31,12	25,93	21,27	17,13	13,50	10,35
		P _e	-	-	13,03	11,52	10,06	8,65	7,29	5,98
	37	Q _o	-	-	28,40	23,59	19,28	15,46	12,11	9,21
		P _e	-	-	13,48	11,87	10,31	8,79	7,33	5,92
AA-BK-135/4NES-14Y	27	Q _o	-	43,64	36,55	30,19	24,58	19,67	15,43	11,82
		P _e	-	13,09	11,88	10,68	9,49	8,30	7,12	5,97
	32	Q _o	-	40,53	33,86	27,90	22,64	18,05	14,09	10,72
		P _e	-	13,82	12,49	11,16	9,85	8,54	7,25	5,99
	37	Q _o	-	-	30,96	25,43	20,55	16,31	12,66	9,54
		P _e	-	-	13,05	11,60	10,16	8,73	7,32	5,95
AA-BK-135/4NES-20Y	27	Q _o	51,57	43,68	36,56	30,22	24,62	19,73	15,51	11,90
		P _e	13,69	12,60	11,51	10,40	9,29	8,17	7,06	5,95
	32	Q _o	48,02	40,58	33,89	27,95	22,71	18,15	14,22	10,84
		P _e	14,44	13,25	12,05	10,84	9,62	8,40	7,17	5,97
	37	Q _o	44,23	37,28	31,06	25,54	20,70	16,49	12,86	9,72
		P _e	15,17	13,88	12,57	11,24	9,91	8,57	7,24	5,93
AA-BK-135/4JE-15Y	27	Q _o	-	48,49	40,98	34,20	28,13	22,75	18,03	13,93
		P _e	-	14,98	13,56	12,17	10,81	9,48	8,20	6,98
	32	Q _o	-	-	38,16	31,76	26,04	20,98	16,55	12,70
		P _e	-	-	14,16	12,66	11,20	9,77	8,39	7,07
	37	Q _o	-	-	35,15	29,15	23,81	19,10	14,97	11,38
		P _e	-	-	14,72	13,12	11,56	10,03	8,55	7,13

Additional fan cooling required for compressor heads.

► COOLING CAPACITY AND POWER CONSUMPTION R449A/R448A UNITS WITH 1-STAGE COMPRESSOR

TYPE	t _a	▼ Q _o COOLING CAPACITY [kW]		P _e ¹⁾ POWER CONSUMPTION [kW]						
				EVAPORATION TEMPERATURE [°C]						
		5	0	-5	-10	-15	-20	-25	-30	
AA-BK-135/4HE-18Y	27	Q _o	-	54,38	46,28	38,88	32,21	26,24	20,96	16,33
		P _e	-	18,51	16,65	14,87	13,15	11,51	9,95	8,49
	32	Q _o	-	-	43,05	36,11	29,84	24,25	19,31	14,97
		P _e	-	-	17,39	15,49	13,66	11,91	10,24	8,67
	37	Q _o	-	-	39,60	33,13	27,31	22,13	17,55	13,52
		P _e	-	-	18,10	16,09	14,15	12,28	10,50	8,82
AA-BK-135/4HE-25Y	27	Q _o	62,35	53,63	45,59	38,26	31,63	25,71	20,46	15,85
		P _e	19,52	17,83	16,16	14,52	12,92	11,38	9,89	8,47
	32	Q _o	57,99	49,80	42,28	35,42	29,25	23,72	18,81	14,47
		P _e	20,36	18,59	16,84	15,11	13,41	11,76	10,17	8,65
	37	Q _o	-	-	38,71	32,37	26,67	21,57	17,03	12,98
		P _e	-	-	17,49	15,67	13,87	12,12	10,43	8,81
AA-BK-135/4GE-23Y	27	Q _o	-	-	51,54	43,66	36,45	29,95	24,13	18,99
		P _e	-	-	20,34	18,04	15,87	13,83	11,93	10,17
	32	Q _o	-	-	47,88	40,52	33,80	27,74	22,32	17,51
		P _e	-	-	21,24	18,82	16,52	14,35	12,32	10,44
	37	Q _o	-	-	-	37,14	30,95	25,37	20,38	15,95
		P _e	-	-	-	19,59	17,16	14,86	12,71	10,71
AA-BK-135/4FE-28Y	27	Q _o	-	-	58,17	49,73	41,87	34,66	28,11	22,23
		P _e	-	-	24,29	21,57	19,00	16,56	14,28	12,16
	32	Q _o	-	-	54,00	46,12	38,84	32,11	25,99	20,47
		P _e	-	-	25,19	22,38	19,67	17,11	14,70	12,47
	37	Q _o	-	-	-	-	35,56	29,36	23,69	18,54
		P _e	-	-	-	-	20,33	17,64	15,11	12,75
AA-BK-135/6HE-28Y	27	Q _o	-	-	60,98	51,93	43,57	35,93	29,03	22,87
		P _e	-	-	26,56	23,44	20,51	17,76	15,21	12,85
	32	Q _o	-	-	-	48,11	40,29	33,14	26,69	20,91
		P _e	-	-	-	24,20	21,14	18,26	15,57	13,08
	37	Q _o	-	-	-	-	36,75	30,14	24,16	18,79
		P _e	-	-	-	-	21,73	18,72	15,89	13,28

Additional fan cooling required for compressor heads.


**► COOLING CAPACITY AND POWER CONSUMPTION R449A/R448A
UNITS WITH 1-STAGE COMPRESSOR**

TYPE	t _a	▼ Q _o COOLING CAPACITY [kW]		P _e 1) POWER CONSUMPTION [kW]						
				▼ EVAPORATION TEMPERATURE [°C]						
		5	0	-5	-10	-15	-20	-25	-30	
AA-BK-R076/4HE-25Y	27	Q _o	69,86	59,56	50,22	41,82	34,34	27,76	22,01	17,02
		P _e	17,77	16,40	15,02	13,63	12,26	10,90	9,57	8,29
	32	Q _o	65,16	55,51	46,76	38,90	31,91	25,75	20,35	15,65
		P _e	18,84	17,34	15,84	14,33	12,83	11,35	9,90	8,50
	37	Q _o	60,46	51,44	43,28	35,96	29,46	23,71	18,68	14,27
		P _e	19,81	18,20	16,59	14,96	13,35	11,75	10,18	8,67
AA-BK-R090/4GE-30Y	27	Q _o	80,56	68,72	57,97	48,30	39,70	32,11	25,50	19,77
		P _e	20,20	18,67	17,12	15,57	14,02	12,48	10,98	9,53
	32	Q _o	75,08	64,01	53,97	44,95	36,92	29,84	23,65	18,25
		P _e	21,43	19,77	18,09	16,39	14,70	13,02	11,38	9,80
	37	Q _o	69,57	59,27	49,94	41,56	34,12	27,54	21,77	16,71
		P _e	22,56	20,78	18,96	17,14	15,31	13,51	11,74	10,03
AA-BK-R076/4FE-28Y	27	Q _o	-	76,35	65,37	55,27	46,07	37,79	30,44	23,98
		P _e	-	24,80	22,42	20,11	17,89	15,75	13,72	11,81
	32	Q _o	-	-	60,90	51,50	42,92	35,20	28,31	22,22
		P _e	-	-	23,55	21,08	18,70	16,40	14,22	12,16
	37	Q _o	-	-	56,44	47,71	39,75	32,57	26,15	20,43
		P _e	-	-	24,59	21,97	19,43	16,99	14,66	12,46
AA-BK-R098/4FE-35Y	27	Q _o	93,59	80,41	68,31	57,31	47,43	38,65	30,93	24,20
		P _e	25,00	22,98	20,97	18,96	16,98	15,05	13,17	11,38
	32	Q _o	87,16	74,92	63,68	53,46	44,28	36,08	28,84	22,46
		P _e	26,49	24,32	22,13	19,95	17,80	15,70	13,65	11,70
	37	Q _o	80,72	69,40	59,02	49,58	41,08	33,46	26,69	20,67
		P _e	27,87	25,54	23,19	20,85	18,54	16,27	14,08	11,98
AA-BK-R076/6HE-28Y	27	Q _o	-	80,84	69,01	58,18	48,36	39,55	31,74	24,90
		P _e	-	27,39	24,61	21,95	19,40	16,98	14,69	12,55
	32	Q _o	-	-	64,23	54,09	44,89	36,65	29,33	22,90
		P _e	-	-	25,76	22,91	20,19	17,59	15,14	12,84
	37	Q _o	-	-	59,48	50,00	41,43	33,74	26,92	20,90
		P _e	-	-	26,79	23,78	20,89	18,13	15,52	13,08
AA-BK-R113/6HE-35Y	27	Q _o	101,97	87,00	73,41	61,18	50,30	40,70	32,32	25,06
		P _e	26,94	24,76	22,59	20,44	18,31	16,24	14,22	12,28
	32	Q _o	95,16	81,12	68,38	56,93	46,74	37,75	29,88	23,03
		P _e	28,55	26,18	23,82	21,47	19,15	16,89	14,69	12,58
	37	Q _o	88,36	75,24	63,34	52,66	43,16	34,78	27,41	20,96
		P _e	30,02	27,47	24,92	22,39	19,90	17,45	15,09	12,82
AA-BK-R076/6GE-34Y	27	Q _o	-	-	77,21	65,83	55,35	45,80	37,22	29,60
		P _e	-	-	29,70	26,29	23,08	20,07	17,27	14,69
	32	Q _o	-	-	71,82	61,27	51,53	42,66	34,65	27,51
		P _e	-	-	31,02	27,41	24,00	20,80	17,81	15,05
	37	Q _o	-	-	-	56,68	47,69	39,48	32,05	25,39
		P _e	-	-	-	28,41	24,82	21,43	18,27	15,35
AA-BK-R126/6GE-40Y	27	Q _o	115,06	98,51	83,38	69,71	57,48	46,65	37,17	28,93
		P _e	30,86	28,47	26,07	23,66	21,27	18,92	16,63	14,43
	32	Q _o	107,15	91,71	77,61	64,88	53,47	43,37	34,47	26,70
		P _e	32,62	30,04	27,44	24,83	22,24	19,68	17,20	14,81
	37	Q _o	99,24	84,90	71,82	60,02	49,44	40,05	31,75	24,44
		P _e	34,22	31,47	28,68	25,88	23,09	20,35	17,68	15,12

Additional fan cooling required for compressor heads.

► COOLING CAPACITY AND POWER CONSUMPTION R449A/R448A UNITS WITH 1-STAGE COMPRESSOR

TYPE	t _a	Q _o COOLING CAPACITY [kW]		P _e ¹⁾ POWER CONSUMPTION [kW]						
		EVAPORATION TEMPERATURE [°C]								
		5	0	-5	-10	-15	-20	-25	-30	
AA-BK-R090/6FE-44Y	27	Q _o	-	-	92,25	78,64	66,05	54,57	44,20	34,98
		P _e	-	-	35,34	31,50	27,85	24,41	21,19	18,21
	32	Q _o	-	-	85,68	73,07	61,39	50,69	41,02	32,35
		P _e	-	-	36,85	32,81	28,95	25,30	21,88	18,70
	37	Q _o	-	-	-	67,49	56,70	46,79	37,79	29,68
		P _e	-	-	-	33,98	29,94	26,10	22,49	19,13
AA-BK-R140/6FE-50Y	27	Q _o	136,66	117,54	99,93	83,87	69,39	56,48	45,10	35,16
		P _e	37,74	34,74	31,75	28,77	25,84	22,98	20,21	17,56
	32	Q _o	127,05	109,31	92,97	78,06	64,60	52,56	41,89	32,48
		P _e	39,74	36,53	33,31	30,11	26,94	23,85	20,85	17,98
	37	Q _o	117,44	101,05	85,96	72,20	59,74	48,57	38,60	29,72
		P _e	41,54	38,14	34,71	31,29	27,91	24,60	21,40	18,34

 Additional fan cooling required for compressor heads.

COOLING CAPACITY AND POWER CONSUMPTION R449A/R448A UNITS WITH 2-STAGE COMPRESSOR

TYPE	t _a	▼	Q _o COOLING CAPACITY [kW]		P _e ¹⁾ POWER CONSUMPTION [kW]	
			EVAPORATION TEMPERATURE [°C]			
			-30	-40	-50*	
AA-BK-104/S4T-5.2Y	27	Q _o	6,17	4,01	2,37	
		P _e	3,78	3,08	2,46	
	32	Q _o	5,98	3,86	2,24	
		P _e	4,11	3,34	2,67	
AA-BK-104/S4N-8.2Y	27	Q _o	8,65	5,67	3,33	
		P _e	5,57	4,43	3,55	
	32	Q _o	8,39	5,41	3,15	
		P _e	6,06	4,88	3,86	
AA-BK-124/S4G-12.2Y	27	Q _o	13,04	8,51	5,04	
		P _e	8,47	6,78	5,37	
	32	Q _o	12,65	8,16	4,75	
		P _e	9,23	7,40	5,84	
AA-BK-135/S6J-16.2Y	27	Q _o	19,58	12,79	7,53	
		P _e	12,69	10,16	8,11	
	32	Q _o	18,93	12,21	7,10	
		P _e	13,98	11,19	8,82	
AA-BK-135/S6H-20.2Y	27	Q _o	22,47	14,68	8,66	
		P _e	15,10	12,01	9,50	
	32	Q _o	21,78	14,05	8,16	
		P _e	16,59	13,19	10,34	
AA-BK-135/S6G-25.2Y	27	Q _o	25,54	16,68	9,87	
		P _e	17,84	14,08	11,04	
	32	Q _o	24,82	16,00	9,29	
		P _e	19,55	15,43	12,02	
AA-BK-R066/S6G-25.2Y	27	Q _o	26,00	17,00	10,25	
		P _e	16,98	13,56	10,43	
	32	Q _o	25,40	16,49	9,69	
		P _e	18,13	14,43	11,32	
AA-BK-R066/S6F-30.2Y	27	Q _o	30,72	20,08	12,14	
		P _e	21,04	16,64	12,67	
	32	Q _o	30,06	19,51	11,47	
		P _e	22,43	17,68	13,76	

* Data only for versions of the unit marked with the letter **L** e.g. AA-BK-104L/S4T-5.2Y

Cooling capacities are based on **20°C** suction gas temperature with liquid subcooler.

t_a - ambient temperature

Q_o - cooling capacity

P_e - power consumption of the compressor without fans

¹⁾ Power consumption of the fans: see technical data.

COOLING CAPACITY AND POWER CONSUMPTION R404A/R507A UNITS WITH 1-STAGE COMPRESSOR

TYPE	t _a	Q _o COOLING CAPACITY [kW] P _e POWER CONSUMPTION [kW]								
		EVAPORATION TEMPERATURE [°C]								
		5	0	-5	-10	-15	-20	-25	-30	
AA-BK-33/2KES-05Y	27	Q _o	3,28	2,86	2,48	2,11	1,76	1,42	1,12	0,85
		P _e	1,04	0,96	0,89	0,82	0,76	0,70	0,64	0,57
	32	Q _o	2,96	2,58	2,23	1,90	1,58	1,28	1,00	0,75
		P _e	1,11	1,02	0,94	0,86	0,79	0,72	0,65	0,57
	37	Q _o	2,65	2,31	2,00	1,71	1,41	1,14	0,88	0,65
		P _e	1,17	1,08	0,98	0,90	0,81	0,74	0,65	0,57
AA-BK-33/2JES-07Y	27	Q _o	4,06	3,51	3,03	2,61	2,22	1,85	1,50	1,17
		P _e	1,52	1,41	1,29	1,17	1,06	0,96	0,86	0,76
	32	Q _o	3,68	3,18	2,73	2,35	2,00	1,67	1,35	1,05
		P _e	1,62	1,49	1,36	1,23	1,10	0,99	0,87	0,76
	37	Q _o	-	2,83	2,44	2,10	1,80	1,50	1,20	0,93
		P _e	-	1,57	1,42	1,28	1,14	1,01	0,88	0,76
AA-BK-44/2HES-1Y	27	Q _o	-	4,79	4,10	3,47	2,90	2,39	1,94	1,53
		P _e	-	1,79	1,62	1,47	1,33	1,19	1,06	0,94
	32	Q _o	-	4,37	3,74	3,16	2,63	2,16	1,74	1,37
		P _e	-	1,88	1,70	1,53	1,37	1,22	1,08	0,94
	37	Q _o	-	-	3,37	2,84	2,36	1,92	1,54	1,19
		P _e	-	-	1,78	1,59	1,41	1,25	1,09	0,93
AA-BK-44/2HES-2Y	27	Q _o	5,65	4,89	4,18	3,54	2,96	2,43	1,97	1,56
		P _e	1,85	1,72	1,60	1,47	1,34	1,21	1,08	0,96
	32	Q _o	5,17	4,46	3,82	3,22	2,68	2,20	1,77	1,39
		P _e	1,96	1,82	1,67	1,53	1,38	1,24	1,10	0,96
	37	Q _o	4,68	4,04	3,45	2,90	2,41	1,97	1,57	1,22
		P _e	2,07	1,90	1,74	1,58	1,42	1,27	1,11	0,95
AA-BK-44/2GES-2	27	Q _o	6,19	5,38	4,63	3,94	3,31	2,75	2,24	1,78
		P _e	2,26	2,09	1,92	1,75	1,59	1,43	1,27	1,12
	32	Q _o	5,65	4,91	4,22	3,59	3,02	2,49	2,03	1,61
		P _e	2,40	2,21	2,02	1,83	1,65	1,47	1,30	1,13
	37	Q _o	5,11	4,44	3,81	3,24	2,72	2,24	1,81	1,43
		P _e	2,55	2,33	2,12	1,91	1,71	1,52	1,33	1,14
AA-BK-44/2FES-2Y	27	Q _o	-	6,23	5,40	4,62	3,90	3,25	2,65	2,12
		P _e	-	2,68	2,45	2,23	2,01	1,79	1,58	1,37
	32	Q _o	-	-	4,89	4,18	3,53	2,93	2,39	1,90
		P _e	-	-	2,58	2,33	2,09	1,85	1,62	1,40
	37	Q _o	-	-	4,38	3,75	3,16	2,62	2,12	1,68
		P _e	-	-	2,71	2,44	2,17	1,91	1,66	1,42
AA-BK-44/2FES-3Y	27	Q _o	7,07	6,20	5,38	4,61	3,90	3,24	2,65	2,12
		P _e	2,93	2,67	2,43	2,20	1,98	1,77	1,56	1,36
	32	Q _o	6,38	5,60	4,87	4,17	3,53	2,93	2,39	1,90
		P _e	3,10	2,82	2,56	2,30	2,06	1,82	1,60	1,38
	37	Q _o	-	5,01	4,35	3,73	3,16	2,62	2,13	1,69
		P _e	-	2,98	2,68	2,40	2,13	1,87	1,63	1,39
AA-BK-53/2FES-3Y	27	Q _o	7,25	6,35	5,50	4,71	3,97	3,30	2,69	2,15
		P _e	2,88	2,64	2,40	2,18	1,96	1,76	1,56	1,36
	32	Q _o	6,56	5,75	4,99	4,27	3,60	2,99	2,43	1,93
		P _e	3,06	2,79	2,53	2,28	2,04	1,81	1,59	1,38
	37	Q _o	-	5,16	4,48	3,84	3,23	2,68	2,17	1,71
		P _e	-	2,94	2,65	2,38	2,12	1,86	1,62	1,39

► COOLING CAPACITY AND POWER CONSUMPTION R404A/R507A UNITS WITH 1-STAGE COMPRESSOR

TYPE	t _a			Q _o COOLING CAPACITY [kW]						P _e POWER CONSUMPTION [kW]	
				EVAPORATION TEMPERATURE [°C]							
				5	0	-5	-10	-15	-20	-25	-30
AA-BK-44/2EES-2Y	27	Q _o	-	-	6,50	5,61	4,77	3,99	3,28	2,63	
		P _e	-	-	2,91	2,60	2,31	2,03	1,77	1,52	
	32	Q _o	-	-	5,87	5,07	4,32	3,61	2,96	2,37	
		P _e	-	-	2,99	2,67	2,37	2,07	1,79	1,53	
	37	Q _o	-	-	-	4,52	3,85	3,22	2,63	2,09	
		P _e	-	-	-	2,72	2,40	2,09	1,80	1,52	
AA-BK-53/2EES-2Y	27	Q _o	-	-	6,66	5,74	4,88	4,07	3,34	2,67	
		P _e	-	-	2,88	2,58	2,30	2,02	1,76	1,52	
	32	Q _o	-	-	6,04	5,20	4,42	3,69	3,02	2,41	
		P _e	-	-	2,97	2,66	2,35	2,07	1,79	1,53	
	37	Q _o	-	-	5,41	4,67	3,96	3,30	2,69	2,13	
		P _e	-	-	3,05	2,71	2,39	2,09	1,80	1,52	
AA-BK-64/2EES-3Y	27	Q _o	11,27	9,69	8,25	6,93	5,75	4,69	3,76	2,94	
		P _e	2,94	2,75	2,55	2,35	2,15	1,94	1,73	1,52	
	32	Q _o	10,34	8,88	7,56	6,35	5,26	4,29	3,43	2,67	
		P _e	3,12	2,91	2,69	2,46	2,24	2,01	1,78	1,55	
	37	Q _o	9,37	8,04	6,83	5,73	4,74	3,86	3,07	2,38	
		P _e	3,29	3,05	2,81	2,56	2,31	2,06	1,81	1,56	
AA-BK-53/2DES-2Y	27	Q _o	-	-	7,44	6,47	5,55	4,67	3,86	3,12	
		P _e	-	-	3,63	3,23	2,86	2,51	2,18	1,87	
	32	Q _o	-	-	6,71	5,85	5,02	4,23	3,49	2,81	
		P _e	-	-	3,73	3,32	2,93	2,56	2,22	1,89	
	37	Q _o	-	-	-	5,21	4,49	3,78	3,12	2,50	
		P _e	-	-	-	3,39	2,98	2,59	2,23	1,89	
AA-BK-64/2DES-3Y	27	Q _o	12,91	11,17	9,55	8,08	6,73	5,53	4,45	3,51	
		P _e	3,65	3,39	3,12	2,86	2,60	2,34	2,08	1,83	
	32	Q _o	11,83	10,23	8,75	7,39	6,16	5,06	4,07	3,20	
		P _e	3,87	3,58	3,29	3,00	2,71	2,43	2,14	1,86	
	37	Q _o	10,71	9,25	7,90	6,67	5,56	4,56	3,66	2,86	
		P _e	4,07	3,75	3,43	3,12	2,80	2,49	2,18	1,88	
AA-BK-64/2CES-3Y	27	Q _o	-	13,08	11,27	9,60	8,07	6,68	5,43	4,31	
		P _e	-	4,40	4,03	3,66	3,30	2,96	2,62	2,29	
	32	Q _o	-	11,98	10,32	8,79	7,38	6,11	4,96	3,94	
		P _e	-	4,66	4,24	3,84	3,45	3,07	2,70	2,35	
	37	Q _o	-	-	9,34	7,94	6,67	5,51	4,47	3,53	
		P _e	-	-	4,43	4,00	3,58	3,17	2,77	2,39	
AA-BK-84/2CES-4Y	27	Q _o	15,96	13,82	11,84	10,03	8,39	6,91	5,59	4,43	
		P _e	4,43	4,12	3,81	3,50	3,19	2,88	2,58	2,27	
	32	Q _o	14,64	12,68	10,87	9,21	7,70	6,34	5,13	4,06	
		P _e	4,71	4,37	4,03	3,69	3,34	3,00	2,67	2,33	
	37	Q _o	13,26	11,47	9,83	8,32	6,96	5,73	4,63	3,65	
		P _e	4,98	4,60	4,23	3,85	3,48	3,10	2,74	2,38	
AA-BK-64/4FES-3Y	27	Q _o	-	13,99	12,02	10,20	8,54	7,05	5,72	4,56	
		P _e	-	4,77	4,40	4,02	3,64	3,26	2,89	2,53	
	32	Q _o	-	12,77	10,98	9,32	7,82	6,46	5,25	4,19	
		P _e	-	5,02	4,61	4,20	3,80	3,39	2,99	2,61	
	37	Q _o	-	-	9,90	8,41	7,05	5,83	4,74	3,78	
		P _e	-	-	4,80	4,37	3,93	3,49	3,07	2,66	

► COOLING CAPACITY AND POWER CONSUMPTION R404A/R507A UNITS WITH 1-STAGE COMPRESSOR

TYPE	t _a	Q _o COOLING CAPACITY [kW]		P _e POWER CONSUMPTION [kW]						
				EVAPORATION TEMPERATURE [°C]						
		5	0	-5	-10	-15	-20	-25	-30	
AA-BK-84/4FES-5Y	27	Q _o	17,18	14,84	12,68	10,70	8,91	7,31	5,90	4,68
		P _e	4,75	4,46	4,15	3,83	3,50	3,17	2,84	2,51
	32	Q _o	15,69	13,56	11,60	9,80	8,17	6,72	5,44	4,32
		P _e	5,03	4,71	4,37	4,02	3,67	3,31	2,95	2,59
	37	Q _o	14,15	12,23	10,46	8,84	7,39	6,08	4,93	3,92
		P _e	5,28	4,93	4,57	4,19	3,81	3,42	3,03	2,64
AA-BK-64/4EES-4Y	27	Q _o	-	16,50	14,30	12,24	10,34	8,60	7,03	5,63
		P _e	-	6,45	5,87	5,29	4,74	4,20	3,68	3,19
	32	Q _o	-	-	13,04	11,17	9,44	7,85	6,43	5,15
		P _e	-	-	6,13	5,52	4,93	4,35	3,80	3,27
	37	Q _o	-	-	11,76	10,07	8,51	7,09	5,80	4,64
		P _e	-	-	6,36	5,72	5,09	4,48	3,89	3,33
AA-BK-84/4EES-6Y	27	Q _o	20,24	17,59	15,12	12,84	10,74	8,86	7,18	5,70
		P _e	6,37	5,90	5,43	4,95	4,47	4,00	3,54	3,09
	32	Q _o	18,45	16,05	13,80	11,72	9,82	8,11	6,58	5,22
		P _e	6,70	6,20	5,68	5,17	4,66	4,15	3,65	3,16
	37	Q _o	16,64	14,46	12,43	10,56	8,85	7,31	5,93	4,70
		P _e	7,00	6,46	5,91	5,36	4,81	4,27	3,73	3,21
AA-BK-104/4EES-6Y	27	Q _o	22,10	19,03	16,20	13,63	11,31	9,25	7,45	5,88
		P _e	5,99	5,60	5,19	4,77	4,34	3,91	3,48	3,05
	32	Q _o	20,32	17,49	14,89	12,53	10,40	8,51	6,85	5,41
		P _e	6,36	5,92	5,47	5,01	4,54	4,07	3,60	3,14
	37	Q _o	18,47	15,89	13,52	11,38	9,45	7,74	6,23	4,91
		P _e	6,70	6,22	5,73	5,23	4,72	4,21	3,70	3,20
AA-BK-84/4DES-5Y	27	Q _o	-	20,09	17,37	14,84	12,51	10,39	8,49	6,81
		P _e	-	7,53	6,86	6,20	5,56	4,93	4,34	3,77
	32	Q _o	-	-	15,89	13,58	11,45	9,51	7,77	6,23
		P _e	-	-	7,18	6,47	5,78	5,12	4,48	3,87
	37	Q _o	-	-	14,38	12,27	10,34	8,58	7,01	5,61
		P _e	-	-	7,48	6,72	5,99	5,28	4,59	3,94
AA-BK-104/4DES-7Y	27	Q _o	25,39	21,97	18,82	15,92	13,30	10,96	8,89	7,07
		P _e	7,39	6,88	6,35	5,82	5,29	4,76	4,23	3,72
	32	Q _o	23,38	20,23	17,32	14,66	12,25	10,09	8,18	6,51
		P _e	7,81	7,25	6,68	6,10	5,52	4,95	4,38	3,82
	37	Q _o	21,31	18,43	15,77	13,35	11,15	9,19	7,45	5,92
		P _e	8,21	7,60	6,98	6,36	5,73	5,11	4,50	3,90
AA-BK-114/4DES-7Y	27	Q _o	26,59	22,89	19,50	16,42	13,66	11,21	9,05	7,19
		P _e	7,12	6,66	6,19	5,70	5,20	4,70	4,19	3,69
	32	Q _o	24,54	21,12	17,98	15,14	12,60	10,34	8,35	6,62
		P _e	7,57	7,06	6,54	6,00	5,45	4,90	4,34	3,80
	37	Q _o	22,50	19,34	16,45	13,85	11,51	9,44	7,63	6,04
		P _e	7,98	7,43	6,85	6,26	5,67	5,07	4,47	3,89
AA-BK-84/4CES-6Y	27	Q _o	-	-	19,89	17,07	14,45	12,05	9,88	7,94
		P _e	-	-	8,45	7,58	6,74	5,95	5,19	4,48
	32	Q _o	-	-	18,19	15,59	13,19	10,99	9,00	7,22
		P _e	-	-	8,79	7,86	6,98	6,13	5,33	4,57
	37	Q _o	-	-	-	14,09	11,90	9,90	8,09	6,47
		P _e	-	-	-	8,13	7,19	6,29	5,44	4,64

**► COOLING CAPACITY AND POWER CONSUMPTION R404A/R507A
UNITS WITH 1-STAGE COMPRESSOR**

TYPE	t _a	Q _o COOLING CAPACITY [kW]		P _e POWER CONSUMPTION [kW]						
		EVAPORATION TEMPERATURE [°C]								
		5	0	-5	-10	-15	-20	-25	-30	
AA-BK-104/4CES-6Y	27	Q _o	-	25,36	21,79	18,51	15,52	12,83	10,43	8,32
		P _e	-	8,80	8,03	7,27	6,52	5,80	5,10	4,42
	32	Q _o	-	-	20,08	17,03	14,26	11,77	9,55	7,60
		P _e	-	-	8,41	7,58	6,78	6,00	5,25	4,52
	37	Q _o	-	-	18,32	15,51	12,96	10,68	8,65	6,86
		P _e	-	-	8,76	7,88	7,02	6,18	5,37	4,60
AA-BK-114/4CES-9Y	27	Q _o	30,77	26,59	22,74	19,22	16,04	13,20	10,70	8,50
		P _e	9,21	8,51	7,80	7,10	6,41	5,72	5,05	4,40
	32	Q _o	28,42	24,53	20,96	17,70	14,76	12,14	9,82	7,79
		P _e	9,76	8,98	8,21	7,44	6,68	5,94	5,21	4,50
	37	Q _o	26,10	22,49	19,18	16,18	13,48	11,06	8,94	7,07
		P _e	10,26	9,42	8,58	7,75	6,93	6,12	5,34	4,59
AA-BK-124/4CES-9Y	27	Q _o	31,96	27,51	23,44	19,75	16,43	13,48	10,89	8,64
		P _e	8,92	8,28	7,63	6,98	6,32	5,66	5,01	4,38
	32	Q _o	29,55	25,41	21,63	18,20	15,13	12,40	10,00	7,91
		P _e	9,50	8,78	8,06	7,33	6,61	5,89	5,18	4,49
	37	Q _o	27,10	23,27	19,77	16,61	13,79	11,29	9,09	7,17
		P _e	10,05	9,26	8,46	7,67	6,87	6,09	5,32	4,58
AA-BK-104/4BES-9Y	27	Q _o	-	27,10	23,35	19,88	16,72	13,85	11,28	9,02
		P _e	-	9,98	9,07	8,18	7,33	6,50	5,70	4,94
	32	Q _o	-	-	21,48	18,27	15,33	12,69	10,32	8,22
		P _e	-	-	9,48	8,53	7,60	6,71	5,86	5,05
	37	Q _o	-	-	19,58	16,62	13,93	11,50	9,33	7,41
		P _e	-	-	9,86	8,84	7,86	6,91	5,99	5,13
AA-BK-114/4BES-9Y	27	Q _o	-	28,55	24,46	20,72	17,33	14,29	11,59	9,23
		P _e	-	9,64	8,81	7,99	7,19	6,41	5,65	4,91
	32	Q _o	-	26,36	22,55	19,07	15,92	13,10	10,61	8,42
		P _e	-	10,15	9,25	8,36	7,49	6,64	5,81	5,02
	37	Q _o	-	-	20,66	17,43	14,52	11,92	9,62	7,61
		P _e	-	-	9,65	8,69	7,75	6,84	5,96	5,11
AA-BK-124/4BES-9Y	27	Q _o	-	29,61	25,28	21,34	17,79	14,62	11,83	9,39
		P _e	-	9,37	8,61	7,85	7,09	6,34	5,60	4,88
	32	Q _o	-	27,37	23,33	19,65	16,35	13,41	10,83	8,57
		P _e	-	9,92	9,07	8,23	7,40	6,58	5,78	5,00
	37	Q _o	-	-	21,34	17,93	14,89	12,19	9,81	7,74
		P _e	-	-	9,51	8,59	7,69	6,80	5,93	5,10
AA-BK-104/4TES-9Y	27	Q _o	-	-	25,73	22,00	18,54	15,37	12,50	9,95
		P _e	-	-	10,44	9,25	8,14	7,10	6,13	5,22
	32	Q _o	-	-	23,55	20,11	16,93	14,01	11,37	9,02
		P _e	-	-	10,89	9,62	8,43	7,31	6,27	5,31
	37	Q _o	-	-	21,34	18,20	15,29	12,63	10,23	8,08
		P _e	-	-	11,31	9,96	8,70	7,51	6,40	5,38
AA-BK-114/4TES-9Y	27	Q _o	-	31,60	27,18	23,09	19,33	15,93	12,89	10,21
		P _e	-	11,29	10,13	9,03	7,99	7,01	6,07	5,20
	32	Q _o	-	-	24,93	21,15	17,68	14,54	11,74	9,27
		P _e	-	-	10,61	9,42	8,30	7,23	6,23	5,29
	37	Q _o	-	-	22,70	19,22	16,05	13,18	10,62	8,36
		P _e	-	-	10,63	9,47	8,35	7,28	6,26	5,31

► COOLING CAPACITY AND POWER CONSUMPTION R404A/R507A UNITS WITH 1-STAGE COMPRESSOR

TYPE	t _a	▼		Q _o COOLING CAPACITY [kW]		P _e POWER CONSUMPTION [kW]					
				EVAPORATION TEMPERATURE [°C]						▼	
		5	0	-5	-10	-15	-20	-25	-30		
AA-BK-124/4TES-12Y	27	Q _o	38,19	33,06	28,29	23,91	19,93	16,35	13,18	10,40	
		P _e	11,55	10,56	9,59	8,63	7,71	6,81	5,95	5,12	
	32	Q _o	35,12	30,36	25,95	21,91	18,24	14,95	12,02	9,46	
		P _e	12,18	11,10	10,04	9,01	8,00	7,03	6,10	5,21	
	37	Q _o	32,01	27,63	23,58	19,88	16,52	13,52	10,85	8,51	
		P _e	12,78	11,62	10,47	9,36	8,28	7,24	6,24	5,30	
AA-BK-114/4PES-12Y	27	Q _o	-	34,73	29,94	25,46	21,33	17,56	14,17	11,17	
		P _e	-	12,77	11,44	10,17	8,97	7,83	6,75	5,73	
	32	Q _o	-	-	27,35	23,22	19,41	15,94	12,82	10,05	
		P _e	-	-	11,84	10,49	9,21	7,99	6,84	5,76	
	37	Q _o	-	-	24,82	21,01	17,51	14,33	11,47	8,94	
		P _e	-	-	12,18	10,75	9,39	8,10	6,88	5,74	
AA-BK-124/4PES-12Y	27	Q _o	-	36,50	31,31	26,49	22,09	18,11	14,56	11,43	
		P _e	-	12,46	11,21	10,01	8,86	7,76	6,71	5,72	
	32	Q _o	-	-	28,64	24,19	20,12	16,45	13,18	10,29	
		P _e	-	-	11,65	10,36	9,13	7,94	6,82	5,76	
	37	Q _o	-	-	25,93	21,84	18,12	14,76	11,77	9,13	
		P _e	-	-	12,03	10,66	9,34	8,08	6,88	5,75	
AA-BK-135/4PES-15Y	27	Q _o	46,78	40,12	34,01	28,46	23,47	19,04	15,17	11,80	
		P _e	12,62	11,60	10,58	9,57	8,56	7,57	6,60	5,66	
	32	Q _o	42,97	36,79	31,13	26,00	21,40	17,32	13,74	10,65	
		P _e	13,35	12,22	11,09	9,97	8,86	7,78	6,72	5,70	
	37	Q _o	39,00	33,33	28,15	23,47	19,28	15,57	12,31	9,48	
		P _e	14,07	12,81	11,57	10,34	9,13	7,95	6,81	5,73	
AA-BK-124/4NES-14Y	27	Q _o	-	40,85	35,35	30,19	25,42	21,05	17,11	13,62	
		P _e	-	15,42	13,88	12,41	10,99	9,64	8,36	7,15	
	32	Q _o	-	-	32,32	27,58	23,19	19,18	15,56	12,34	
		P _e	-	-	14,37	12,81	11,31	9,88	8,51	7,23	
	37	Q _o	-	-	29,25	24,92	20,92	17,26	13,97	11,03	
		P _e	-	-	14,79	13,14	11,56	10,04	8,60	7,24	
AA-BK-135/4NES-14Y	27	Q _o	-	45,69	39,02	32,90	27,37	22,41	18,04	14,23	
		P _e	-	14,48	13,18	11,90	10,65	9,42	8,23	7,09	
	32	Q _o	-	41,97	35,79	30,15	25,04	20,47	16,44	12,92	
		P _e	-	15,22	13,81	12,41	11,05	9,72	8,44	7,20	
	37	Q _o	-	-	32,41	27,26	22,61	18,46	14,78	11,57	
		P _e	-	-	14,36	12,86	11,38	9,95	8,56	7,25	
AA-BK-135/4NES-20Y	27	Q _o	52,98	45,76	39,08	32,96	27,42	22,47	18,10	14,28	
		P _e	15,42	14,13	12,85	11,61	10,39	9,20	8,05	6,96	
	32	Q _o	48,68	42,00	35,83	30,20	25,10	20,54	16,52	13,00	
		P _e	16,30	14,88	13,49	12,12	10,79	9,51	8,27	7,09	
	37	Q _o	44,18	38,07	32,46	27,34	22,71	18,57	14,91	11,70	
		P _e	17,17	15,63	14,11	12,62	11,18	9,79	8,47	7,21	
AA-BK-135/4JE-15Y	27	Q _o	-	50,27	43,32	36,89	31,01	25,67	20,88	16,64	
		P _e	-	16,61	15,09	13,64	12,25	10,91	9,62	8,39	
	32	Q _o	-	-	39,86	33,91	28,46	23,53	19,10	15,17	
		P _e	-	-	15,80	14,22	12,71	11,26	9,86	8,54	
	37	Q _o	-	-	36,23	30,80	25,82	21,31	17,26	13,66	
		P _e	-	-	16,47	14,76	13,12	11,55	10,06	8,63	

**► COOLING CAPACITY AND POWER CONSUMPTION R404A/R507A
UNITS WITH 1-STAGE COMPRESSOR**

TYPE	t _a	Q _o COOLING CAPACITY [kW] P _e ¹⁾ POWER CONSUMPTION [kW]								
		EVAPORATION TEMPERATURE [°C]								
		5	0	-5	-10	-15	-20	-25	-30	
AA-BK-135/4HE-18Y	27	Q _o	-	55,81	48,47	41,59	35,21	29,37	24,08	19,34
		P _e	-	20,58	18,56	16,65	14,85	13,14	11,53	10,01
	32	Q _o	-	-	44,50	38,17	32,31	26,94	22,06	17,69
		P _e	-	-	19,37	17,32	15,39	13,56	11,84	10,21
	37	Q _o	-	-	40,31	34,59	29,27	24,40	19,97	15,98
		P _e	-	-	20,13	17,95	15,88	13,93	12,09	10,36
AA-BK-135/4HE-25Y	27	Q _o	63,06	55,31	47,98	41,10	34,73	28,89	23,59	18,85
		P _e	21,38	19,49	17,67	15,94	14,27	12,68	11,15	9,70
	32	Q _o	57,78	50,67	43,95	37,65	31,81	26,45	21,58	17,21
		P _e	22,31	20,30	18,38	16,53	14,75	13,04	11,41	9,86
	37	Q _o	-	45,75	39,70	34,02	28,75	23,91	19,50	15,51
		P _e	-	21,08	19,03	17,06	15,17	13,35	11,62	9,97
AA-BK-135/4GE-23Y	27	Q _o	-	-	53,41	46,23	39,48	33,22	27,47	22,26
		P _e	-	-	22,75	20,27	17,95	15,79	13,77	11,90
	32	Q _o	-	-	48,89	42,35	36,19	30,47	25,21	20,43
		P _e	-	-	23,68	21,05	18,59	16,29	14,16	12,17
	37	Q _o	-	-	-	38,24	32,73	27,59	22,85	18,53
		P _e	-	-	-	21,78	19,18	16,75	14,48	12,39
AA-BK-135/4FE-28Y	27	Q _o	-	-	59,38	51,91	44,75	37,99	31,67	25,86
		P _e	-	-	27,49	24,61	21,86	19,25	16,77	14,45
	32	Q _o	-	-	54,21	47,46	40,97	34,82	29,05	23,71
		P _e	-	-	28,41	25,40	22,52	19,77	17,16	14,71
	37	Q _o	-	-	-	42,71	36,96	31,47	26,30	21,46
		P _e	-	-	-	26,12	23,09	20,20	17,45	14,87
AA-BK-135/6HE-28Y	27	Q _o	-	-	62,43	54,41	46,78	39,59	32,90	26,76
		P _e	-	-	29,01	25,84	22,84	20,02	17,37	14,91
	32	Q _o	-	-	57,00	49,70	42,73	36,16	30,04	24,40
		P _e	-	-	29,99	26,66	23,51	20,54	17,75	15,14
	37	Q _o	-	-	-	-	38,46	32,57	27,06	21,95
		P _e	-	-	-	-	24,10	20,98	18,04	15,29

► COOLING CAPACITY AND POWER CONSUMPTION R404A/R507A UNITS WITH 1-STAGE COMPRESSOR

TYPE	t _a	Q _o COOLING CAPACITY [kW] P _e POWER CONSUMPTION [kW]								
		EVAPORATION TEMPERATURE [°C]								
		5	0	-5	-10	-15	-20	-25	-30	
AA-BK-R076/4HE-25Y	27	Q _o	70,90	61,45	52,68	44,63	37,31	30,73	24,88	19,73
		P _e	19,84	18,28	16,75	15,25	13,78	12,35	10,94	9,58
	32	Q _o	65,36	56,63	48,53	41,11	34,35	28,28	22,86	18,09
		P _e	20,95	19,25	17,58	15,94	14,34	12,77	11,25	9,78
	37	Q _o	59,82	51,79	44,38	37,57	31,38	25,81	20,84	16,43
		P _e	21,96	20,12	18,31	16,54	14,81	13,13	11,49	9,91
AA-BK-R090/4GE-30Y	27	Q _o	81,79	70,91	60,81	51,54	43,11	35,54	28,81	22,89
		P _e	22,83	21,07	19,32	17,60	15,91	14,24	12,62	11,04
	32	Q _o	75,34	65,31	56,01	47,48	39,72	32,74	26,53	21,04
		P _e	24,06	22,15	20,25	18,39	16,55	14,75	13,00	11,30
	37	Q _o	68,88	59,69	51,19	43,39	36,30	29,92	24,23	19,18
		P _e	25,17	23,11	21,08	19,08	17,11	15,18	13,30	11,49
AA-BK-R076/4FE-28Y	27	Q _o	-	77,18	67,22	57,88	49,19	41,21	33,95	27,44
		P _e	-	28,45	25,88	23,39	20,96	18,61	16,36	14,20
	32	Q _o	-	-	61,82	53,27	45,31	37,99	31,32	25,29
		P _e	-	-	27,02	24,35	21,76	19,25	16,83	14,53
	37	Q _o	-	-	56,42	48,65	41,42	34,75	28,65	23,11
		P _e	-	-	28,03	25,20	22,44	19,78	17,21	14,76
AA-BK-R098/4FE-35Y	27	Q _o	94,36	82,36	71,13	60,70	51,13	42,46	34,68	27,80
		P _e	28,75	26,53	24,32	22,12	19,95	17,81	15,73	13,71
	32	Q _o	86,75	75,78	65,51	55,98	47,22	39,25	32,07	25,68
		P _e	30,32	27,92	25,52	23,14	20,79	18,48	16,22	14,04
	37	Q _o	79,12	69,18	59,87	51,22	43,26	36,00	29,43	23,52
		P _e	31,75	29,18	26,60	24,04	21,51	19,03	16,61	14,28
AA-BK-R076/6HE-28Y	27	Q _o	-	81,87	71,13	61,07	51,76	43,23	35,50	28,59
		P _e	-	30,09	27,24	24,50	21,88	19,36	16,95	14,67
	32	Q _o	-	-	65,41	56,14	47,57	39,71	32,58	26,18
		P _e	-	-	28,44	25,51	22,69	20,00	17,42	14,97
	37	Q _o	-	-	59,71	51,23	43,38	36,19	29,66	23,77
		P _e	-	-	29,52	26,40	23,41	20,53	17,79	15,19
AA-BK-R113/6HE-35Y	27	Q _o	103,50	89,73	76,96	65,24	54,58	44,99	36,47	28,98
		P _e	29,23	27,07	24,91	22,74	20,59	18,46	16,37	14,32
	32	Q _o	95,46	82,72	70,92	60,09	50,25	41,40	33,51	26,54
		P _e	30,89	28,54	26,18	23,82	21,48	19,16	16,89	14,68
	37	Q _o	87,43	75,71	64,87	54,94	45,92	37,79	30,54	24,11
		P _e	32,41	29,87	27,33	24,78	22,26	19,76	17,32	14,94
AA-BK-R076/6GE-34Y	27	Q _o	-	-	78,40	68,12	58,42	49,38	41,06	33,49
		P _e	-	-	34,04	30,43	27,04	23,86	20,88	18,11
	32	Q _o	-	-	71,86	62,52	53,71	45,46	37,84	30,89
		P _e	-	-	35,59	31,76	28,15	24,76	21,59	18,64
	37	Q _o	-	-	-	56,91	48,96	41,51	34,60	28,26
		P _e	-	-	-	32,97	29,15	25,56	22,20	19,07
AA-BK-R126/6GE-40Y	27	Q _o	116,46	101,29	87,15	74,10	62,17	51,40	41,79	33,32
		P _e	34,03	31,50	28,98	26,47	23,99	21,55	19,16	16,83
	32	Q _o	107,14	93,19	80,20	68,21	57,26	47,35	38,48	30,62
		P _e	35,85	33,12	30,39	27,68	25,00	22,35	19,77	17,26
	37	Q _o	97,83	85,09	73,25	62,32	52,33	43,28	35,16	27,92
		P _e	37,54	34,61	31,68	28,76	25,88	23,05	20,28	17,58

**► COOLING CAPACITY AND POWER CONSUMPTION R404A/R507A
UNITS WITH 1-STAGE COMPRESSOR**

TYPE	t _a	▼ Q _o COOLING CAPACITY [kW]		P _e POWER CONSUMPTION [kW]						
		▼ EVAPORATION TEMPERATURE [°C]								
		5	0	-5	-10	-15	-20	-25	-30	
AA-BK-R090/6FE-44Y	27	Q _o	-	-	93,67	81,39	69,78	58,92	48,90	39,77
		P _e	-	-	40,30	36,35	32,54	28,89	25,42	22,13
	32	Q _o	-	-	85,81	74,64	64,07	54,17	44,98	36,56
		P _e	-	-	41,73	37,58	33,57	29,71	26,03	22,54
	37	Q _o	-	-	-	67,91	58,36	49,39	41,04	33,33
		P _e	-	-	-	38,65	34,43	30,37	26,49	22,81
AA-BK-R140/6FE-50Y	27	Q _o	137,45	120,15	103,90	88,72	74,75	62,04	50,61	40,47
		P _e	43,06	39,76	36,47	33,22	30,00	26,84	23,75	20,76
	32	Q _o	126,16	110,36	95,49	81,64	68,86	57,19	46,66	37,24
		P _e	45,14	41,60	38,07	34,56	31,09	27,68	24,36	21,14
	37	Q _o	114,87	100,54	87,08	74,52	62,92	52,30	42,66	33,97
		P _e	47,02	43,25	39,47	35,72	32,01	28,36	24,81	21,37

COOLING CAPACITY AND POWER CONSUMPTION R404A/R507A UNITS WITH 2-STAGE COMPRESSOR

TYPE	t _a	▼	Q _o COOLING CAPACITY [kW]		P _e ¹⁾ POWER CONSUMPTION [kW]	
			EVAPORATION TEMPERATURE [°C]			
			-30	-40	-50*	
AA-BK-104/S4T-5.2Y	27	Q _o	7,53	5,12	3,28	
		P _e	4,42	3,64	2,87	
	32	Q _o	7,39	5,01	3,21	
		P _e	4,69	3,84	3,02	
AA-BK-104/S4N-8.2Y	27	Q _o	10,58	7,22	4,64	
		P _e	6,54	5,32	4,16	
	32	Q _o	10,36	7,07	4,54	
		P _e	6,94	5,63	4,36	
AA-BK-124/S4G-12.2Y	27	Q _o	16,36	11,64	7,69	
		P _e	9,95	8,05	6,16	
	32	Q _o	16	11,35	7,41	
		P _e	10,56	8,53	6,61	
AA-BK-135/S6J-16.2Y	27	Q _o	23,04	16,46	10,92	
		P _e	14,19	11,25	8,68	
	32	Q _o	22,54	16,08	10,66	
		P _e	15,06	11,95	9,22	
AA-BK-135/S6H-20.2Y	27	Q _o	26,43	18,93	12,58	
		P _e	16,77	13,24	10,18	
	32	Q _o	25,82	18,46	12,25	
		P _e	17,78	14,04	10,79	
AA-BK-135/S6G-25.2Y	27	Q _o	29,93	21,52	14,35	
		P _e	19,64	15,45	11,8	
	32	Q _o	29,22	20,98	13,97	
		P _e	20,88	16,39	12,53	
AA-BK-R066/S6G-25.2Y	27	Q _o	30,31	21,76	14,48	
		P _e	18,98	15,02	11,54	
	32	Q _o	29,64	21,23	14,1	
		P _e	20,12	15,95	12,27	
AA-BK-R066/S6F-30.2Y	27	Q _o	35,7	25,68	17,14	
		P _e	23,17	18,3	14,03	
	32	Q _o	34,78	25	16,69	
		P _e	24,52	19,37	14,85	

* Data only for versions of the unit marked with the letter L e.g. AA-BK-104L/S4T-5.2Y

Cooling capacities are based on 20°C suction gas temperature with liquid subcooler.

t_a - ambient temperature

Q_o - cooling capacity

P_e - power consumption of the compressor without fans

¹⁾ Power consumption of the fans: see technical data.


TECHNICAL DATA

TYPE	COMPRESSOR		FAN ¹⁾				RECEIVER		Sound pressure level ²⁾ [dB(A)]	Weight [kg]
	Power supply	Max. operating current [A]	Fans Q-ty / diameter [pc./mm]	Max. operating current [A]	Max. power [W]	Air flow [m ³ /h]	Type	Volume [dm ³]		
AA-BK-33/2KES-05Y	Y	2,8	1/350	1x0,65	1x150	1950	DVR 500	5	42,8	77
AA-BK-33/2JES-07Y		3,7	1/350	1x0,65	1x150	1950	DVR 500	5	42,9	77
AA-BK-44/2HES-1Y		3,8	1/350	1x0,65	1x150	2050	DVR 500	5	43,1	81
AA-BK-44/2HES-2Y		4,5	1/350	1x0,65	1x150	2050	DVR 500	5	43,1	82
AA-BK-44/2GES-2Y		5,0	1/350	1x0,65	1x150	2050	DVR 500	5	42,8	82
AA-BK-44/2FES-2Y		5,3	1/350	1x0,65	1x150	2050	DVR 500	5	44,9	83
AA-BK-44/2FES-3Y		6,1	1/350	1x0,65	1x150	2050	DVR 500	5	44,9	85
AA-BK-53/2FES-3Y		6,1	1/350	1x0,65	1x150	2450	DVR 500	5	43,3	92
AA-BK-44/2EES-2Y		6,0	1/350	1x0,65	1x150	2050	DVR 500	5	45	107
AA-BK-53/2EES-2Y		6,0	1/350	1x0,65	1x150	2450	DVR 500	5	43,5	110
AA-BK-64/2EES-3Y		7,5	1/450	1x2,9	1x600	5700	DVR 700	7	46,6	125
AA-BK-53/2DES-2Y		7,5	1/350	1x0,65	1x150	2450	DVR 500	5	45,1	115
AA-BK-64/2DES-3Y		8,6	1/450	1x2,9	1x600	5700	DVR 700	7	46,7	130
AA-BK-64/2CES-3Y		9,1	1/450	1x2,9	1x600	5700	DVR 700	7	46,8	129
AA-BK-84/2CES-4Y		10,0	1/450	1x2,9	1x600	6250	DVR 1100	11	46,8	140
AA-BK-64/4FES-3Y		9,5	1/450	1x2,9	1x600	5700	DVR 700	7	47,1	141
AA-BK-84/4FES-5Y		10,8	1/450	1x2,9	1x600	6250	DVR 1100	11	47,1	152
AA-BK-64/4EES-4Y		12,2	1/450	1x2,9	1x600	5700	DVR 700	7	48	143
AA-BK-84/4EES-6Y	13,6	1/450	1x2,9	1x600	6250	DVR 1100	11	48	154	
AA-BK-104/4EES-6Y	13,6	2/450	2x2,9	2x600	10300	DVR 1500	14,5	50,1	199	
AA-BK-84/4DES-5Y	14,5	1/450	1x2,9	1x600	6250	DVR 1100	11	48,8	154	
AA-BK-104/4DES-7Y	16,5	2/450	2x2,9	2x600	10300	DVR 1500	14,5	50,6	203	
AA-BK-114/4DES-7Y	16,5	2/450	2x2,9	2x600	11500	DVR 1500	14,5	50,6	219	
AA-BK-84/4CES-6Y	17,7	1/450	1x2,9	1x600	6250	DVR 1100	11	49,1	160	
AA-BK-104/4CES-6Y	17,7	2/450	2x2,9	2x600	10300	DVR 1500	14,5	50,8	206	
AA-BK-114/4CES-9Y	20,2	2/450	2x2,9	2x600	11500	DVR 1500	14,5	50,8	221	
AA-BK-124/4CES-9Y	20,2	2/450	2x2,9	2x600	12300	RHC-30B	30	50,8	258	
AA-BK-104/4BES-9Y	18	2/450	2x2,9	2x600	10300	DVR1500	14,5	50,8	206	
AA-BK-114/4BES-9Y	18	2/450	2x2,9	2x600	11500	DVR1500	14,5	50,8	221	
AA-BK-104/4TES-9Y	19,9	2/450	2x2,9	2x600	10300	DVR 1500	14,5	50,9	249	
AA-BK-114/4TES-9Y	19,9	2/450	2x2,9	2x600	11500	DVR 1500	14,5	50,9	267	
AA-BK-124/4TES-12Y	25,1	2/450	2x2,9	2x600	12300	RHC-30B	30	50,9	312	
AA-BK-114/4PES-12Y	22,7	2/450	2x2,9	2x600	11500	DVR 1500	14,5	51,7	272	
AA-BK-124/4PES-12Y	22,7	2/450	2x2,9	2x600	12300	RHC-30B	30	51,7	310	
AA-BK-135/4PES-15Y	28,2	2/500	2x1,45	2x830	15000	RHC-30B	30	51,2	329	
AA-BK-124/4NES-14Y	26,6	2/450	2x2,9	2x600	12300	RHC-30B	30	52,7	312	
AA-BK-135/4NES-14Y	26,6	2/500	2x1,45	2x830	15000	RHC-30B	30	52,3	323	
AA-BK-135/4NES-20Y	33,2	2/500	2x1,45	2x830	15000	RHC-30B	30	52,3	332	
AA-BK-135/4JE-15Y	30,8	2/500	2x1,45	2x830	15000	RHC-30B	30	51,8	372	
AA-BK-135/4HE-18Y	36,7	2/500	2x1,45	2x830	15000	RHC-30B	30	52,1	372	
AA-BK-135/4HE-25Y	44	2/500	2x1,45	2x830	15000	RHC-30B	30	52,1	376	
AA-BK-135/4GE-23Y	43,9	2/500	2x1,45	2x830	15000	RHC-30B	30	54,2	374	
AA-BK-135/4FE-28Y	52,8	2/500	2x1,45	2x830	15000	RHC-30B	30	54,2	389	
AA-BK-135/6HE-28Y	53,2	2/500	2x1,45	2x830	15000	RHC-30B	30	54,8	410	

¹⁾ Units with condensers „33” ÷ „124” are equipped with 230V/50Hz/1f fans in standard design, 400V/50Hz/3f is an option. Units with condensers „135” are equipped with 400V/50Hz/3f fans in standard design, 230V/50Hz/1f is an option.

²⁾ Values refer to medium temperature operating conditions at 50 Hz from 10 m distance, tolerance ±2 dB.

▶ TECHNICAL DATA

TYPE	COMPRESSOR		FAN ¹⁾				RECEIVER		Sound pressure level ²⁾ [dB(A)]	Weight [kg]
	Power supply	Max. operating current [A]	Fans Q-ty /diameter [pc./mm]	Max. operating current [A]	Max. power [W]	Air flow [m ³ /h]	Type	Volume [dm ³]		
AA-BK-R076/4HE-25Y	380..420 V YY / 3 / 50 Hz	44	3/500	3x1,68	3x850	24577	RHC-30B	30	53,8	469
AA-BK-R090/4GE-30Y		51,2	3/500	3x1,68	3x850	23014	RHC-45B	45	53	502
AA-BK-R076/4FE-28Y		52,8	3/500	3x1,68	3x850	24577	RHC-45B	45	53	485
AA-BK-R098/4FE-35Y		62,1	3/500	3x1,68	3x850	21380	RHC-45B	45	53	521
AA-BK-R076/6HE-28Y		53,2	3/500	3x1,68	3x850	24577	RHC-45B	45	53,8	502
AA-BK-R113/6HE-35Y		64,4	2/630	2x4,3	2x2000	28463	RHC-45B	45	53,9	543
AA-BK-R076/6GE-34Y		65,5	3/500	3x1,68	3x850	24577	RHC-45B	45	55,3	506
AA-BK-R126/6GE-40Y		73,9	2/630	2x4,3	2x2000	30405	RHC-45B	45	55,4	568
AA-BK-R090/6FE-44Y		83,2	3/500	3x1,68	3x850	23014	RHC-60B	60	54,8	547
AA-BK-R140/6FE-50Y		96,2	2/630	2x4,3	2x2000	28991	RHC-60B	60	54,8	595

¹⁾ Power supply of the condenser fans is **400V/3f/50Hz** (connection in Δ).

²⁾ Values refer to medium operating temperature conditions at **50 Hz** from **10 m** distance, tolerance **±2 dB**.

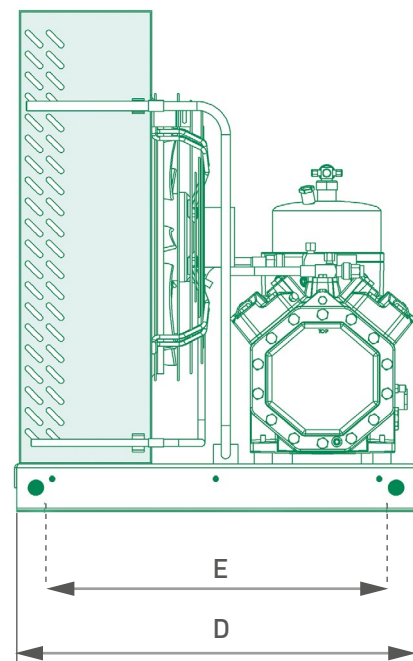
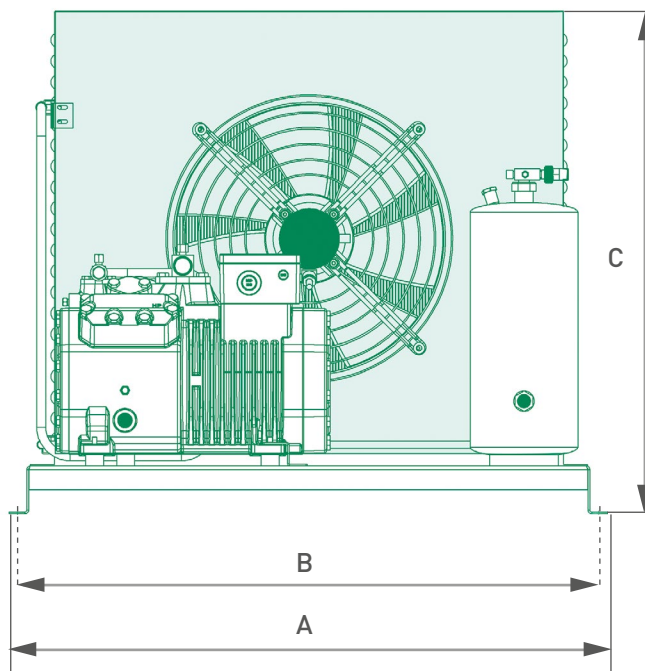
TYPE	COMPRESSOR		FAN ¹⁾				RECEIVER		Sound pressure level ²⁾ [dB(A)]	Weight [kg]
	Power supply	Max. operating current [A]	Fans Q-ty /diameter [pc./mm]	Max. operating current [A]	Max. power [W]	Air flow [m ³ /h]	Type	Volume [dm ³]		
AA-BK-104/S4T-5.2Y	380..420 V YY / 3 / 50 Hz	14	2/450	2x2,9	2x600	10300	RHC-15B	15	51,1	265
AA-BK-104/S4N-8.2Y		17	2/450	2x2,9	2x600	10300	RHC-15B	15	52,2	270
AA-BK-124/S4G-12.2Y		24	2/450	2x2,9	2x600	12300	RHC-30B	30	53,8	349
AA-BK-135/S6J-16.2Y		31	2/500	2x1,45	2x830	15000	RHC-30B	30	53,5	408
AA-BK-135/S6H-20.2Y		37	2/500	2x1,45	2x830	15000	RHC-30B	30	55	419
AA-BK-135/S6G-25.2Y		43	2/500	2x1,45	2x830	15000	RHC-30B	30	56,2	432
AA-BK-R066/S6G-25.2Y		43	2/500	2x1,68	2x850	14254	RHC-45B	45	55,5	486
AA-BK-R066/S6F-30.2Y		51	2/500	2x1,68	2x850	14254	RHC-45B	45	55	487

¹⁾ Units with condensers „104”, „124” are equipped with **230V/1f/50Hz** fans; units with condensers „135” i „R066” are equipped with **400V/3f/50Hz** fans (connected in Δ).

²⁾ Values refer to medium temperature operating conditions at **50 Hz** from **10 m** distance, tolerance **±2 dB**.

DIMENSIONS AND DRAWINGS

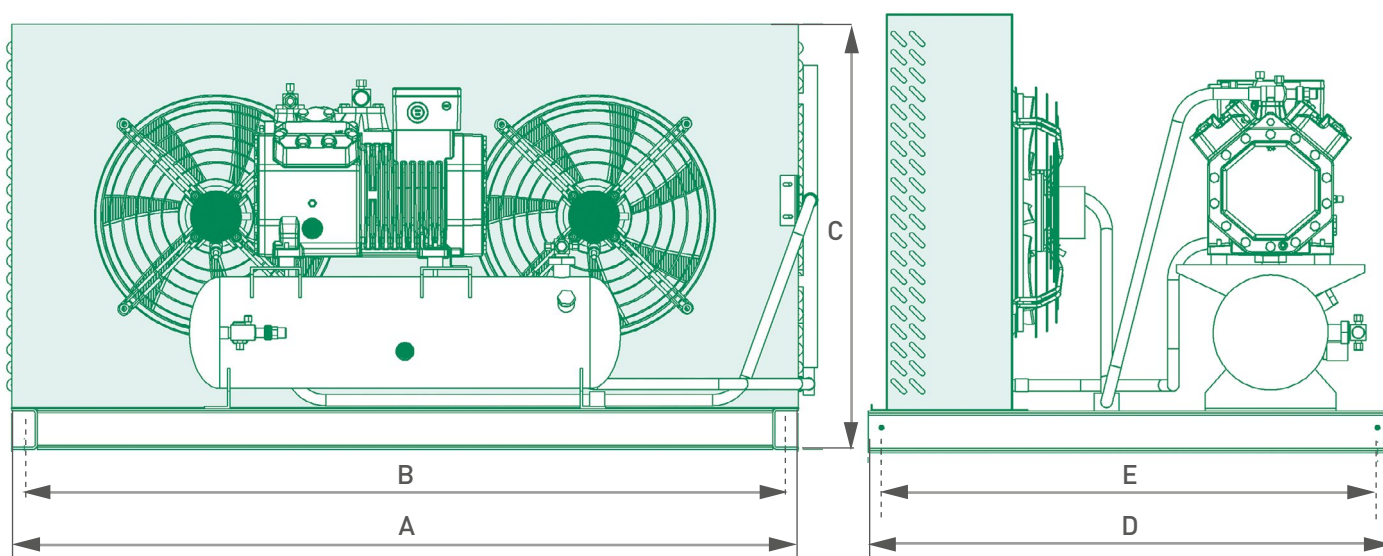
TYPE	DIMENSIONS					CONNECTIONS			
	A	B	C	D	E	Suction line		Liquid line	
	[mm]					[mm]	[inch]	[mm]	[inch]
AA-BK-33/2KES-05Y	650	620	470	605	505	16	5/8	12	1/2
AA-BK-33/2JES-07Y	650	620	470	605	505	16	5/8	12	1/2
AA-BK-44/2HES-1Y	650	620	520	605	505	16	5/8	12	1/2
AA-BK-44/2HES-2Y	650	620	520	605	505	16	5/8	12	1/2
AA-BK-44/2GES-2Y	650	620	520	605	505	16	5/8	12	1/2
AA-BK-44/2FES-2Y	650	620	520	605	505	16	5/8	12	1/2
AA-BK-44/2FES-3Y	650	620	520	605	505	16	5/8	12	1/2
AA-BK-53/2FES-3Y	1000	970	540	670	570	16	5/8	12	1/2
AA-BK-44/2EES-2Y	650	620	520	605	505	22	7/8	12	1/2
AA-BK-53/2EES-2Y	1000	970	540	670	570	22	7/8	12	1/2
AA-BK-64/2EES-3Y	1000	970	690	670	570	22	7/8	12	1/2
AA-BK-53/2DES-2Y	1000	970	540	670	570	22	7/8	12	1/2
AA-BK-64/2DES-3Y	1000	970	690	670	570	22	7/8	12	1/2
AA-BK-64/2CES-3Y	1000	970	690	670	570	22	7/8	12	1/2
AA-BK-84/2CES-4Y	1000	970	840	670	570	22	7/8	12	1/2
AA-BK-64/4FES-3Y	1000	970	690	670	570	22	7/8	12	1/2
AA-BK-84/4FES-5Y	1000	970	840	670	570	22	7/8	12	1/2
AA-BK-64/4EES-4Y	1000	970	690	670	570	28	1 1/8	12	1/2
AA-BK-84/4EES-6Y	1000	970	840	670	570	28	1 1/8	12	1/2
AA-BK-84/4DES-5Y	1000	970	840	670	570	28	1 1/8	12	1/2
AA-BK-84/4CES-6Y	1000	970	840	670	570	28	1 1/8	12	1/2



AA-BK-33/2KES-05Y to AA-BK-84/4CES-6Y

► DIMENSIONS AND DRAWINGS

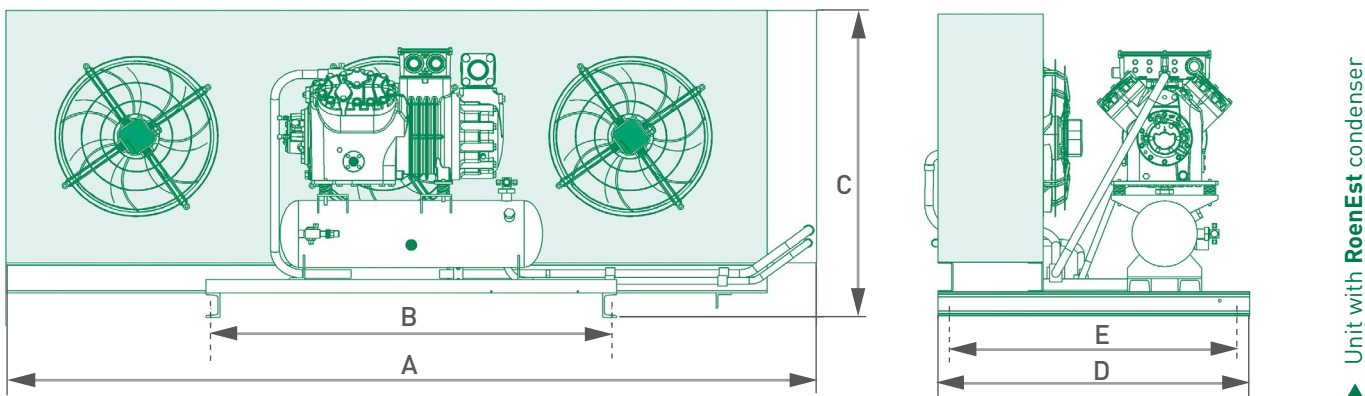
TYPE	DIMENSIONS					CONNECTIONS			
	A	B	C	D	E	Suction line		Liquid line	
	[mm]					[mm]	[inch]	[mm]	[inch]
AA-BK-104/4EES-6Y	1110	1060	740	920	870	28	1 1/8	22	7/8
AA-BK-104/4DES-7Y	1110	1060	740	920	870	28	1 1/8	22	7/8
AA-BK-114/4DES-7Y	1320	1270	790	920	870	28	1 1/8	22	7/8
AA-BK-104/4CES-6Y	1110	1060	740	920	870	28	1 1/8	22	7/8
AA-BK-114/4CES-9Y	1320	1270	790	920	870	28	1 1/8	22	7/8
AA-BK-124/4CES-9Y	1550	1500	840	1000	950	28	1 1/8	22	7/8
AA-BK-104/4BES-9Y	1110	1060	740	920	870	22	7/8	22	7/8
AA-BK-114/4BES-9Y	1320	1270	790	920	870	22	7/8	22	7/8
AA-BK-124/4BES-9Y	1550	1500	840	1000	950	28	1 1/8	22	7/8
AA-BK-104/4TES-9Y	1110	1060	740	920	870	35	1 1/8	22	7/8
AA-BK-114/4TES-9Y	1320	1270	790	920	870	35	1 3/8	22	7/8
AA-BK-124/4TES-12Y	1550	1500	840	1000	950	35	1 3/8	22	7/8
AA-BK-114/4PES-12Y	1320	1270	790	920	870	35	1 3/8	22	7/8
AA-BK-124/4PES-12Y	1550	1500	840	1000	950	35	1 3/8	22	7/8
AA-BK-135/4PES-15Y	1550	1500	990	1000	950	42	1 5/8	22	7/8
AA-BK-124/4NES-14Y	1550	1500	840	1000	950	35	1 3/8	22	7/8
AA-BK-135/4NES-14Y	1550	1500	990	1000	950	35	1 3/8	22	7/8
AA-BK-135/4NES-20Y	1550	1500	990	1000	950	42	1 5/8	22	7/8
AA-BK-135/4JE-15Y	1550	1500	990	1000	950	42	1 5/8	22	7/8
AA-BK-135/4HE-18Y	1550	1500	990	1000	950	42	1 5/8	22	7/8
AA-BK-135/4HE-25Y	1550	1500	990	1000	950	54	2 1/8	22	7/8
AA-BK-135/4GE-23Y	1550	1500	990	1000	950	54	2 1/8	22	7/8
AA-BK-135/4FE-28Y	1550	1500	990	1000	950	54	2 1/8	22	7/8
AA-BK-135/6HE-28Y	1550	1500	990	1000	950	54	2 1/8	22	7/8



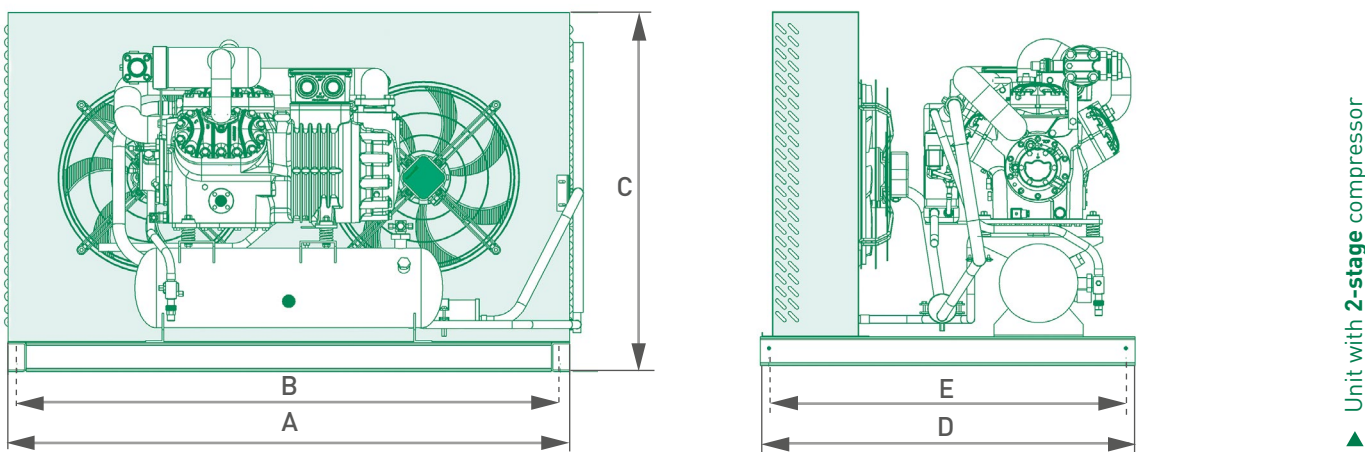
► AA-BK-104/4EES-6Y to AA-BK-135/6HE-28Y

► DIMENSIONS AND DRAWINGS

TYPE	DIMENSIONS					CONNECTIONS			
	A	B	C	D	E	Suction line		Liquid line	
	[mm]					[mm]	[inch]	[mm]	[inch]
AA-BK-R076/4HE-25Y	2625	1298	1100	1050	970	54	2 1/8	28	1 1/8
AA-BK-R090/4GE-30Y	2625	1298	1100	1050	970	54	2 1/8	28	1 1/8
AA-BK-R076/4FE-28Y	2625	1298	1100	1050	970	54	2 1/8	22	7/8
AA-BK-R098/4FE-35Y	2625	1298	1100	1050	970	54	2 1/8	28	1 1/8
AA-BK-R076/6HE-28Y	2625	1298	1100	1050	970	54	2 1/8	22	7/8
AA-BK-R113/6HE-35Y	2815	1298	1100	1150	1070	54	2 1/8	28	1 1/8
AA-BK-R076/6GE-34Y	2625	1298	1100	1050	970	54	2 1/8	22	7/8
AA-BK-R126/6GE-40Y	2815	1298	1300	1150	1070	54	2 1/8	28	1 1/8
AA-BK-R090/6FE-44Y	2625	1298	1100	1050	970	54	2 1/8	22	7/8
AA-BK-R140/6FE-50Y	2815	1298	1300	1150	1070	54	2 1/8	35	1 3/8



TYPE	DIMENSIONS					CONNECTIONS			
	A	B	C	D	E	Suction line		Liquid line	
	[mm]					[mm]	[inch]	[mm]	[inch]
AA-BK-104/S4T-5.2Y	1100	1060	745	920	870	28	1 1/8	15	5/8
AA-BK-104/S4N-8.2Y	1150	1060	745	920	870	28	1 1/8	15	5/8
AA-BK-124/S4G-12.2Y	1550	1500	840	1050	1000	35	1 3/8	22	7/8
AA-BK-135/S6J-16.2Y	1550	1500	990	1050	1000	42	1 5/8	22	7/8
AA-BK-135/S6H-20.2Y	1550	1500	990	1050	1000	42	1 5/8	22	7/8
AA-BK-135/S6G-25.2Y	1550	1500	990	1050	1000	42	1 5/8	22	7/8
AA-BK-R066/S6G-25.2Y	1825	1298	1015	1100	970	42	1 5/8	22	7/8
AA-BK-R066/S6F-30.2Y	1825	1298	1015	1100	970	42	1 5/8	22	7/8



CE DECLARATION OF CONFORMITY

Condensing units comply with the European Union standards:

- ▶ Machine Directive **2006/42/WE**
- ▶ Low Voltage Directive **2014/35/EU**
- ▶ Pressure Equipment Directive **2014/68/EU**

CERTIFIKAT ◆ CERTIFICADO ◆ CERTIFICAT ◆ СЕРТИФИКАТ ◆ 認証証書 ◆ CERTIFICATE ◆ ZERTIFIKAT



Członek



Industrie Service

CERTYFIKAT

Certificate

Wewnętrzna kontrola produkcji oraz nadzorowana kontrola urządzeń ciśnieniowych w losowych odstępach czasu (Moduł A2) wg Dyrektywy 2014/68/EU
Internal production control plus supervised pressure equipment check at random intervals (Module A2) according to Directive 2014/68/EU

Nr certyfikatu: Z-PL-22-08-0609-001-14/68 A2 73459204
Certificate No.:

Nazwa i adres Wytwórcy: **ARKTON Sp. z o. o.**
Name and postal address of manufacturer: **ul. Mórkowska 36**
64-115 Wilkowice

Wytwórca jest uprawniony - po sprawdzeniu wymagań - do oznaczania wytwarzanych przez siebie urządzeń ciśnieniowych w ramach niniejszego zakresu obowiązywania znakiem CE z naszym numerem identyfikacyjnym jak przedstawiono poniżej:
The manufacturer is - after examination of the prerequisites - authorised to provide his pressure equipment manufactured within the scope of the examination with our identification number to the CE-mark as illustrated:

CE 0036

Nr raportu z badań: P-PL-22-08-0609-001-14/68 A2 73459204
Test report No.:

Zakres obowiązywania: - Zespoły sprężarkowe / Compressor assemblies type AZ...
Scope of examination: - Agregaty skraplające / (Condensing units type AA...
 - Wychładzacz cieczy (chillery) / Liquid attemperator (chillers) type AC...
 - Zespoły sprężarkowe kompaktowe / Compact compressor assemblies type AK...
 - Market master type MM...
 - Agregaty sprężarkowe / Compressor units type AS...

Zakład produkcyjny: **ARKTON Sp. z o. o.**
Manufacturing plant: **ul. Mórkowska 36**
64-115 Wilkowice

Chorzów , 05 sierpień 2022
(Place, date) **(Miejscowość, data)**

Proszę zwrócić uwagę na wskazówki na str. 2.
Please note the remarks on the second page.

TÜV SÜD Industrie Service GmbH
 Oddział w Polsce
 ul. Podwale 17
 PL-00-252 Warszawa

Tel.: (+48 22) 696 43 96
 Fax: (+48 32) 348 90 37
 www.tuev-sued.de


Członek
 CONFÉDERATION EUROPÉEN

 D'ORGANISMES DE CONTROLE



inż. Dawid Polec
 Jednostka Notyfikowana, Nr id.: 0036
 Notified Body/ No. 0036

AUTHORIZED SERVICE



BERLING S.A.
Al. Krakowska 80a, PL 05-552 Stefanowo
tel. +48 22 727 84 97
berling@berling.pl www.berling.pl



ARKTON SP. Z O.O.
ul. Mórkowska 36, PL 64-115 Wilkowice
tel. +48 65 52 52 830
info@arkton.pl www.arkton.pl

Every effort has been made to ensure that the information contained in this catalog is up to date on the date of publication.

We reserve the right to make changes to the data contained in the catalogue.

Information about changes will be published without delay.