

 **Kosmos**

MULTI-COMPRESSOR RACKS

for industrial and commercial application



MANUFACTURER:
ARKTON Sp. z o.o.

KZBT-1/23-EN

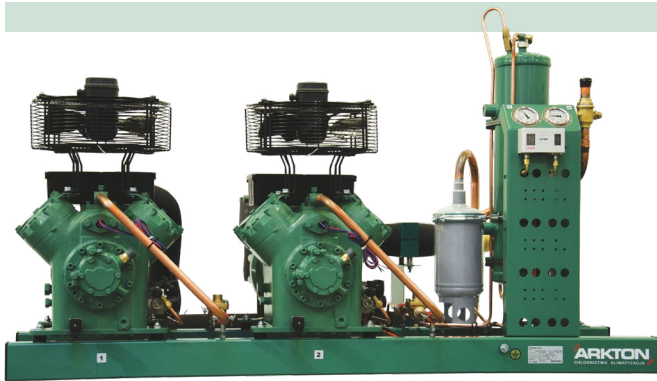
CONTENTS

| | | |
|-----------|--|--------------|
| 1. | KOSMOS MULTI-COMPRESSOR RACKS - MAIN FEATURES | 3 |
| 2. | KOSMOS CODE EXPLANATION | 4 |
| 3. | STANDARD EQUIPMENT | 5 |
| 4. | OPTIONAL EQUIPMENT | 6-7 |
| 5. | APPLICATION RANGE OF COMPRESSORS FOR SELECTED REFRIGERANTS | 8 |
| 6. | CORRECTION FACTORS FOR R449A/R448A, R134a, R450A, R513A | 9 |
| 7. | COOLING CAPACITY AND POWER CONSUMPTION FOR R404A, RANGE -40°C ÷ +5°C | 10-29 |
| 8. | TECHNICAL DATA | 30-32 |
| 9. | CONNECTION DIMENSIONS | 33-34 |
| 10 | DIMENSIONS AND WEIGHT | 35-36 |
| 11 | TECHNICAL DRAWINGS | 37 |
| 12 | CE DECLARATION OF CONFORMITY | 38 |



Cooling capacity for other refrigerants e.g. R452A, R407F, R407C on request.

KOSMOS MULTI-COMPRESSOR RACKS - MAIN FEATURES

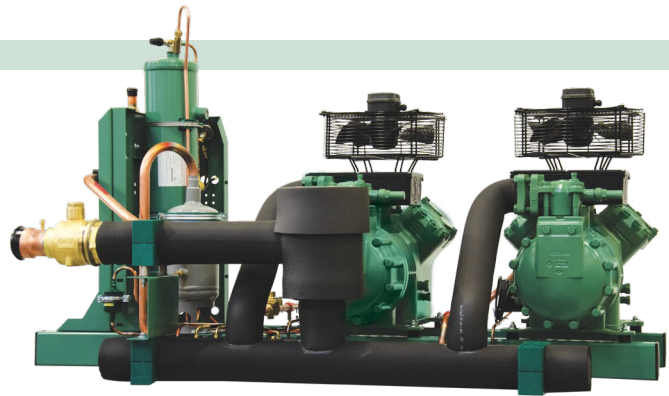


RELIABILITY

- ▶ top brands components
- ▶ high quality copper and steel pipelines
- ▶ robust, welded steel frame
- ▶ minimized number of joints
- ▶ quality control
- ▶ pressure tightness test

MODERN COMPACT CONSTRUCTION

- ▶ short delivery time
- ▶ easy transport and unloading
- ▶ quick installation
- ▶ easy operation and maintenance
- ▶ minimized dimensions
- ▶ double-decker construction (option)

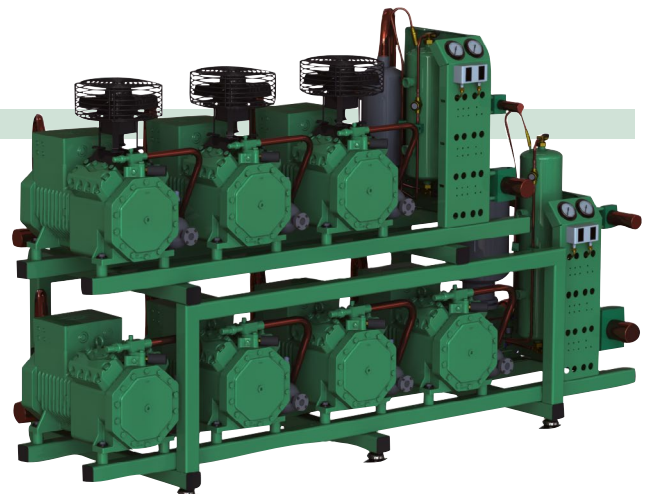


LOW OPERATING COSTS

- ▶ high efficiency compressors
- ▶ long radius elbows ensuring low pressure drops
- ▶ heat recovery system (option)
- ▶ step and stepless capacity regulation (option)
- ▶ liquid subcooler (option)

FAVOURABLE PRICE

- ▶ optimized construction
- ▶ efficient manufacturing process
- ▶ optimized selection of components
- ▶ wide selection of accessories for optimal customized application
- ▶ durable and energy efficient compressors



KOSMOS CODE EXPLANATION



- 1** - multi-compressor racks manufacturer
- 2** - compressor manufacturer (**B - Bitzer**)
- 3** - version: (**K**) catalogue / (**I**) customized / (**KI**) with options not included in this catalogue
- 4** - number of compressors
- 5** - type of compressor
- 6** - oil type (Y - ester oil)

Selected options:

- 7** - capacity regulation (digit represents the number of regulation steps of the compressor)
- 8** - control cabinet (**E**)
- 9** - frequency inverter (**F**)
- 10** - heat recovery (**W**)
- 11** - housing (**B**)

STANDARD EQUIPMENT

1. FRAME

- ▶ closed steel profile frame, powder coated
- ▶ vibration-isolators with leveling possibility
- ▶ connection for earthing system

2. BITZER SEMI-HERMETIC PISTON COMPRESSORS WITH ESTER OIL, EQUIPPED WITH:

- ▶ oil level sight glass
- ▶ suction and discharge shut-off valves
- ▶ internal mechanical filter (strainer) on suction line
- ▶ motor protection device

3. OIL MANAGEMENT SYSTEM

- ▶ common oil separator
- ▶ oil receiver with two sight glasses, shut-off valves and differential pressure valve
- ▶ oil filter
- ▶ mechanical oil level regulators with sight glasses

4. SUCTION LINE

- ▶ copper tubes up to D 89 mm, steel suction header above D 89 mm
- ▶ mechanical filter (strainer) with replaceable core

5. DISCHARGE LINE

- ▶ copper discharge header

6. SAFETY AND MEASURING DEVICES

- ▶ HP switch for each compressor
- ▶ main HP/LP switch
- ▶ HP limiter in compliance with 2014/68/EU - if required
- ▶ safety switch on HP side in compliance with 2014/68/EU
- ▶ HP and LP gauge
- ▶ ozone and UV resistant capillary tubes
- ▶ oil monitoring system - if required

7. DOCUMENTATION

- ▶ pressure tightness certificate with diagram
- ▶ user manual
- ▶ CE declaration of conformity

8. TECHNICAL DATA

- ▶ technical drawing with external dimensions and weight, connection dimensions and arrangement
- ▶ multi-compressor rack operating parameters

OPTIONAL EQUIPMENT

1. COMPRESSORS

- ▶ capacity regulation
- ▶ crankcase heater
- ▶ start unloading
- ▶ cylinder head fan
- ▶ Bitzer IQ MODULE CM-RC-01 with sensors
- ▶ cooling injection system RI

2. OIL MANAGEMENT SYSTEM

- ▶ check valve on discharge pipe after oil separator
- ▶ electronic oil level regulators with sight glass
- ▶ shut-off valves on oil level regulators
- ▶ check valve on discharge line past compressor
- ▶ optimized suction header
- ▶ oil and gas equalization system (for AZ-BK-2x4JE ÷ AZ-BK-2x6FE)
- ▶ shut-off valves on oil and gas equalization
- ▶ pre-filled with oil

3. DISCHARGE LINE

- ▶ shut-off valve
- ▶ condensing pressure regulation ("winter")
- ▶ condensing pressure and hot gas defrost pressure regulation, outlet connection for hot gas defrost

4. SUCTION LINE

- ▶ shut-off valve
- ▶ steel suction header with copper connection
- ▶ two or more suction connections

5. ADDITIONAL SAFETY AND CONTROL DEVICES

- ▶ HP switch
- ▶ LP switch
- ▶ HP/LP switch for each compressor

6. INSULATION

- ▶ insulated suction header
- ▶ insulated compressor motor

7. PRESSURE TRANSDUCERS WITH SIGNAL

- ▶ current
- ▶ voltage
- ▶ ratiometric

8. OTHER OPTIONS

- ▶ more than 4-compressor rack
- ▶ M3 motor compressors
- ▶ satellite compressor
- ▶ double circuit
(for different evaporation temperatures)

- ▶ double-decker rack
- ▶ gauges 100 mm
- ▶ housing
- ▶ housing soundproofing
- ▶ drip tray

9. LIQUID RECEIVER MODULE

STANDARD EQUIPMENT

- ▶ vertical receiver
- ▶ liquid level sight glasses on the receiver
- ▶ inlet shut-off valve
- ▶ outlet shut-off valve
- ▶ filter-dryer with replaceable core
- ▶ sight glass on liquid line
- ▶ shut-off valve on liquid line
- ▶ base plate
- ▶ in compliance with 2014/68/EU

OPTIONAL EQUIPMENT

- ▶ shut-off valve for safety valve (single or double)
- ▶ safety valve (one or two)
- ▶ minimum level sensor
- ▶ maximum level sensor

10. HEAT RECOVERY MODULE

- ▶ integrated with the rack or as separate module
- ▶ overheating heat recovery
- ▶ total heat recovery

11. LIQUID SEPARATOR MODULE

- ▶ integrated with the compressor rack or as separate module

12. SUBCOOLER MODULE

- ▶ integrated with the rack or as separate module

13. CONTROL CABINET MODULE

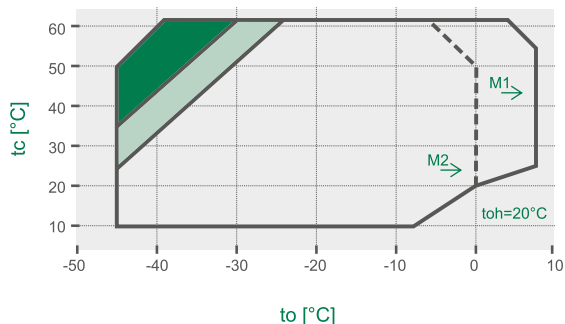
- ▶ integrated with the rack or as separate module
- ▶ floor or wall mounted
- ▶ connection terminals for connecting power cables
- ▶ main power switch
- ▶ short-circuit and overload protection of compressors
- ▶ cabling
- ▶ signal lamps
- ▶ compressor unit controller
- ▶ power supply and stepless regulation of compressor with inverter
- ▶ power supply and control of the condenser fans
- ▶ possibility of stepless regulation of condenser fans



OTHERS – on request

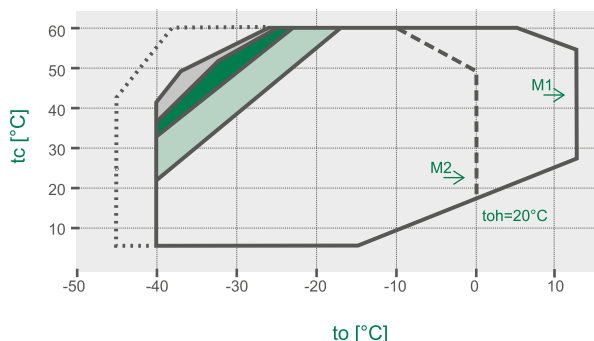
APPLICATION RANGE OF COMPRESSORS FOR SELECTED REFRIGERANTS

R404A 2GES-2Y - 6FE-50Y



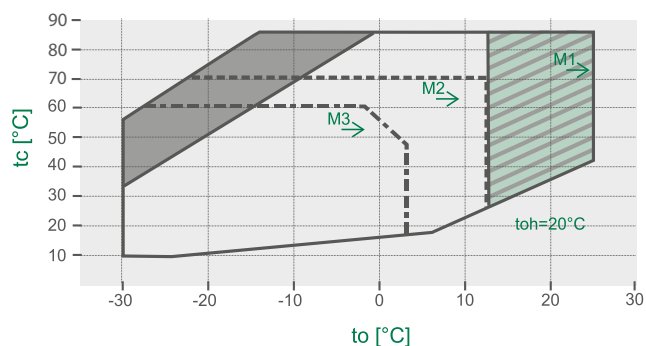
- additional cooling or suction gas superheat $\le 20\text{ K}$
- additional cooling or max. suction gas temperature 0°C
- application limit for M1 compressor motor
- application limit for M2 compressor motor

R448A/R449A



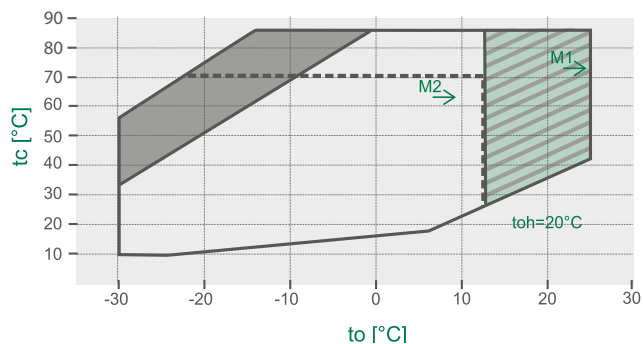
- additional cooling or max. $\text{toh} < 0^\circ\text{C}$
- additional cooling or suction gas superheat $\le 20\text{ K}$
- additional cooling and suction gas superheat $\le 20\text{ K}$
- select operating mode "RI (with IQ MODULE)"
- application limit for M2 compressor motor
- application limit for M1 compressor motor

R134a



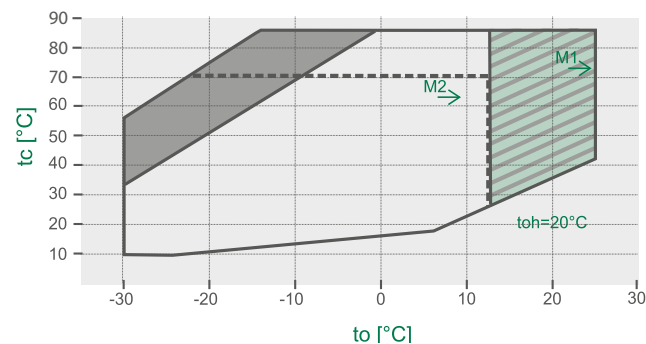
- additional cooling
- suction gas superheat $> 10\text{ K}$
- application limit for M1 compressor motor
- application limit for M2 compressor motor
- application limit for M3 compressor motor

R450A



- additional cooling
- suction gas superheat $> 10\text{ K}$
- application limit for M1 compressor motor
- application limit for M2 compressor motor

R513A



- additional cooling
- suction gas superheat $> 10\text{ K}$
- application limit for M1 compressor motor
- application limit for M2 compressor motor

CORRECTION FACTORS

To determine cooling capacity and power consumption for selected refrigerants, use the correction factors from the table below.

| | | R448A/R449A | | R134a | | R450A | | R513A | |
|--------------------|-----|-------------|-------|-------|-------|-------|-------|-------|-------|
| | | k_Q | k_P | k_Q | k_P | k_Q | k_P | k_Q | k_P |
| 2GES-2Y – 2FES-3Y | -32 | 0,81 | 0,80 | - | - | - | - | - | - |
| | -10 | 0,95 | 0,91 | 0,59 | 0,56 | 0,51 | 0,50 | 0,62 | 0,59 |
| | 0 | 0,99 | 0,93 | 0,62 | 0,57 | 0,54 | 0,51 | 0,65 | 0,60 |
| 2EES-2Y – 2CES-4Y | -32 | 0,82 | 0,83 | - | - | - | - | - | - |
| | -10 | 0,93 | 0,91 | 0,57 | 0,56 | 0,49 | 0,50 | 0,60 | 0,59 |
| | 0 | 0,97 | 0,93 | 0,62 | 0,58 | 0,54 | 0,51 | 0,64 | 0,61 |
| 4FES-3Y – 4BES-9Y | -32 | 0,85 | 0,84 | - | - | - | - | - | - |
| | -10 | 0,95 | 0,91 | 0,58 | 0,54 | 0,50 | 0,48 | 0,61 | 0,58 |
| | 0 | 0,97 | 0,92 | 0,61 | 0,57 | 0,53 | 0,50 | 0,64 | 0,60 |
| 4VES-7Y – 4NES-20Y | -32 | 0,85 | 0,83 | - | - | - | - | - | - |
| | -10 | 0,94 | 0,89 | 0,57 | 0,54 | 0,49 | 0,48 | 0,60 | 0,58 |
| | 0 | 0,97 | 0,88 | 0,60 | 0,57 | 0,53 | 0,50 | 0,63 | 0,60 |
| 4JE-15Y – 4FE-35Y | -32 | 0,86 | 0,85 | - | - | - | - | - | - |
| | -10 | 0,95 | 0,88 | 0,58 | 0,54 | 0,50 | 0,48 | 0,61 | 0,57 |
| | 0 | 0,97 | 0,89 | 0,62 | 0,56 | 0,54 | 0,50 | 0,64 | 0,59 |
| 6HE-28Y – 6FE-50Y | -32 | 0,86 | 0,86 | - | - | - | - | - | - |
| | -10 | 0,95 | 0,89 | 0,58 | 0,55 | 0,51 | 0,49 | 0,62 | 0,58 |
| | 0 | 0,97 | 0,89 | 0,62 | 0,57 | 0,54 | 0,51 | 0,65 | 0,60 |

CALCULATION EXAMPLE – CHANGE OF REFRIGERANT R404A TO R448A (DEW POINT)

DATA

Multi-compressor rack type:

AZ-BK-2x4NES-20Y

Operating conditions:

$t_o = -10^\circ\text{C}$; $t_c = 40^\circ\text{C}$ (dew point)

COOLING CAPACITY AND POWER CONSUMPTION CALCULATION

- Determination of cooling capacity and power consumption of a multi-compressor rack for R404A refrigerant from technical data

$Q_o = 63,1 \text{ W}$; $P_e = 23,3 \text{ kW}$

- Correction factor selection for refrigerant R448A (dew point)

$k_Q = 0,94$; $k_P = 0,89$

- Knowing the necessary parameters, determine the computing capacity using the following formulas:

$Q_o \times k_Q = 63,1 \times 0,94 = 59,3 \text{ kW}$

$P_e \times k_P = 23,3 \times 0,89 = 20,7 \text{ kW}$

► t_c – condensing temperature [$^\circ\text{C}$], t_o – evaporation temperature [$^\circ\text{C}$]
 ► Q_o – cooling capacity [kW], P_e – power consumption [kW]

COOLING CAPACITY AND POWER CONSUMPTION FOR R404A

| TYPE | t _c | Q _o COOLING CAPACITY [kW] | | | | | | | |
|-----------------|----------------|---------------------------------------|-------|-------|-------|-------|-------|------|------|
| | | P _e POWER CONSUMPTION [kW] | | | | | | | |
| | | EVAPORATION TEMPERATURE [°C] | | | | | | | |
| | | | 5 | 0 | -5 | -10 | -20 | -30 | -40 |
| AZ-BK-2x2GES-2Y | 20 | Q _o | - | 16,18 | 13,47 | 11,12 | 7,36 | 4,59 | 2,60 |
| | | P _e | - | 2,68 | 2,68 | 2,64 | 2,44 | 2,10 | 1,64 |
| | 30 | Q _o | 16,45 | 13,78 | 11,46 | 9,44 | 6,19 | 3,78 | 2,05 |
| | | P _e | 3,34 | 3,30 | 3,20 | 3,06 | 2,68 | 2,20 | 1,62 |
| | 40 | Q _o | 13,82 | 11,56 | 9,58 | 7,87 | 5,09 | 3,03 | 1,55 |
| | | P _e | 4,00 | 3,86 | 3,66 | 3,44 | 2,90 | 2,26 | 1,58 |
| | 50 | Q _o | 11,29 | 9,42 | 7,79 | 6,36 | 4,04 | 2,32 | 1,08 |
| | | P _e | 4,66 | 4,40 | 4,10 | 3,80 | 3,08 | 2,32 | 1,52 |
| AZ-BK-2x2FES-2Y | 20 | Q _o | - | 20,57 | 17,11 | 14,11 | 9,30 | 5,76 | 3,23 |
| | | P _e | - | 3,34 | 3,38 | 3,36 | 3,08 | 2,60 | 2,00 |
| | 30 | Q _o | - | 17,39 | 14,44 | 11,87 | 7,74 | 4,70 | 2,51 |
| | | P _e | - | 4,04 | 3,96 | 3,82 | 3,34 | 2,70 | 1,96 |
| | 40 | Q _o | - | 14,39 | 11,92 | 9,77 | 6,29 | 3,72 | 1,86 |
| | | P _e | - | 4,74 | 4,54 | 4,26 | 3,58 | 2,78 | 1,94 |
| | 50 | Q _o | - | 11,54 | 9,54 | 7,79 | 4,95 | 2,84 | 1,30 |
| | | P _e | - | 5,44 | 5,10 | 4,72 | 3,84 | 2,88 | 1,94 |
| AZ-BK-2x2FES-3Y | 20 | Q _o | - | 20,47 | 17,02 | 14,04 | 9,24 | 5,73 | 3,21 |
| | | P _e | - | 3,24 | 3,24 | 3,20 | 2,94 | 2,54 | 2,00 |
| | 30 | Q _o | 20,65 | 17,27 | 14,34 | 11,79 | 7,69 | 4,67 | 2,49 |
| | | P _e | 4,06 | 4,00 | 3,90 | 3,72 | 3,26 | 2,68 | 2,00 |
| | 40 | Q _o | 17,12 | 14,31 | 11,86 | 9,72 | 6,27 | 3,71 | 1,86 |
| | | P _e | 4,92 | 4,74 | 4,50 | 4,20 | 3,54 | 2,76 | 1,92 |
| | 50 | Q _o | 13,78 | 11,51 | 9,52 | 7,77 | 4,93 | 2,82 | 1,29 |
| | | P _e | 5,76 | 5,44 | 5,06 | 4,66 | 3,76 | 2,80 | 1,82 |
| AZ-BK-2x2EES-2Y | 20 | Q _o | - | 25,00 | 20,80 | 17,16 | 11,30 | 6,99 | 3,88 |
| | | P _e | - | 3,70 | 3,68 | 3,60 | 3,26 | 2,72 | 2,08 |
| | 30 | Q _o | - | 21,84 | 18,15 | 14,94 | 9,77 | 5,95 | 3,19 |
| | | P _e | - | 4,74 | 4,56 | 4,32 | 3,70 | 2,94 | 2,14 |
| | 40 | Q _o | - | 18,51 | 15,35 | 12,59 | 8,13 | 4,83 | 2,45 |
| | | P _e | - | 5,62 | 5,28 | 4,90 | 4,02 | 3,06 | 2,08 |
| | 50 | Q _o | - | 14,98 | 12,37 | 10,09 | 6,38 | 3,64 | 1,66 |
| | | P _e | - | 6,32 | 5,82 | 5,30 | 4,18 | 3,02 | 1,90 |
| AZ-BK-2x2EES-3Y | 20 | Q _o | - | 25,00 | 20,80 | 17,16 | 11,30 | 6,99 | 3,88 |
| | | P _e | - | 3,72 | 3,72 | 3,64 | 3,30 | 2,78 | 2,16 |
| | 30 | Q _o | 26,09 | 21,84 | 18,15 | 14,94 | 9,77 | 5,95 | 3,19 |
| | | P _e | 4,80 | 4,72 | 4,54 | 4,32 | 3,74 | 3,00 | 2,22 |
| | 40 | Q _o | 22,14 | 18,51 | 15,35 | 12,59 | 8,13 | 4,83 | 2,45 |
| | | P _e | 5,78 | 5,52 | 5,22 | 4,86 | 4,04 | 3,10 | 2,16 |
| | 50 | Q _o | 17,96 | 14,98 | 12,37 | 10,09 | 6,38 | 3,64 | 1,66 |
| | | P _e | 6,54 | 6,16 | 5,72 | 5,24 | 4,18 | 3,08 | 1,98 |
| AZ-BK-2x2DES-2Y | 20 | Q _o | - | 29,68 | 24,72 | 20,42 | 13,50 | 8,39 | 4,70 |
| | | P _e | - | 4,46 | 4,44 | 4,36 | 3,94 | 3,30 | 2,54 |
| | 30 | Q _o | - | 25,98 | 21,62 | 17,83 | 11,71 | 7,19 | 3,91 |
| | | P _e | - | 5,74 | 5,52 | 5,24 | 4,50 | 3,60 | 2,62 |
| | 40 | Q _o | - | 22,07 | 18,33 | 15,08 | 9,80 | 5,89 | 3,05 |
| | | P _e | - | 6,84 | 6,44 | 5,96 | 4,92 | 3,76 | 2,60 |
| | 50 | Q _o | - | 17,92 | 14,83 | 12,13 | 7,74 | 4,49 | 2,13 |
| | | P _e | - | 7,74 | 7,14 | 6,50 | 5,16 | 3,76 | 2,44 |

Additional fan cooling required for compressor heads. Compressor operating range p. 8.

► COOLING CAPACITY AND POWER CONSUMPTION FOR R404A

| TYPE | t _c | Q _o COOLING CAPACITY [kW] | | | | | | | |
|-----------------|----------------|---------------------------------------|-------|-------|-------|-------|-------|-------|------|
| | | P _e POWER CONSUMPTION [kW] | | | | | | | |
| | | EVAPORATION TEMPERATURE [°C] | | | | | | | |
| | | | 5 | 0 | -5 | -10 | -20 | -30 | -40 |
| AZ-BK-2x2DES-3Y | 20 | Q _o | - | 29,68 | 24,72 | 20,42 | 13,50 | 8,39 | 4,70 |
| | | P _e | - | 4,40 | 4,40 | 4,30 | 3,92 | 3,30 | 2,56 |
| | 30 | Q _o | 31,00 | 25,98 | 21,62 | 17,83 | 11,71 | 7,19 | 3,91 |
| | | P _e | 5,74 | 5,62 | 5,42 | 5,16 | 4,44 | 3,58 | 2,66 |
| AZ-BK-2x2CES-3Y | 40 | Q _o | 26,36 | 22,07 | 18,33 | 15,08 | 9,80 | 5,89 | 3,05 |
| | | P _e | 6,94 | 6,64 | 6,26 | 5,84 | 4,84 | 3,74 | 2,62 |
| | 50 | Q _o | 21,45 | 17,92 | 14,83 | 12,13 | 7,74 | 4,49 | 2,13 |
| | | P _e | 7,94 | 7,46 | 6,92 | 6,34 | 5,06 | 3,76 | 2,48 |
| AZ-BK-2x2CES-4Y | 20 | Q _o | - | 36,19 | 30,18 | 24,98 | 16,60 | 10,41 | 5,93 |
| | | P _e | - | 5,38 | 5,38 | 5,28 | 4,80 | 4,04 | 3,16 |
| | 30 | Q _o | - | 31,77 | 26,49 | 21,90 | 14,49 | 9,00 | 5,01 |
| | | P _e | - | 6,94 | 6,70 | 6,38 | 5,50 | 4,46 | 3,32 |
| AZ-BK-2x2CES-4Y | 40 | Q _o | - | 27,10 | 22,57 | 18,62 | 12,21 | 7,46 | 4,00 |
| | | P _e | - | 8,30 | 7,84 | 7,30 | 6,06 | 4,72 | 3,38 |
| | 50 | Q _o | - | 22,11 | 18,36 | 15,09 | 9,75 | 5,78 | 2,90 |
| | | P _e | - | 9,46 | 8,76 | 8,02 | 6,44 | 4,82 | 3,28 |
| AZ-BK-2x4FES-3Y | 20 | Q _o | - | 40,03 | 33,04 | 27,05 | 17,61 | 10,91 | 6,31 |
| | | P _e | - | 5,72 | 5,76 | 5,68 | 5,18 | 4,40 | 3,46 |
| | 30 | Q _o | - | 35,02 | 28,92 | 23,69 | 15,41 | 9,50 | 5,44 |
| | | P _e | - | 7,42 | 7,22 | 6,90 | 6,02 | 4,88 | 3,68 |
| AZ-BK-2x4FES-3Y | 40 | Q _o | - | 29,68 | 24,53 | 20,09 | 13,03 | 7,98 | 4,49 |
| | | P _e | - | 8,88 | 8,46 | 7,92 | 6,66 | 5,22 | 3,78 |
| | 50 | Q _o | - | 24,06 | 19,89 | 16,28 | 10,51 | 6,35 | 3,47 |
| | | P _e | - | 10,06 | 9,42 | 8,70 | 7,08 | 5,36 | 3,70 |
| AZ-BK-2x4FES-5Y | 20 | Q _o | - | 40,04 | 33,05 | 27,06 | 17,62 | 10,91 | 6,31 |
| | | P _e | - | 5,70 | 5,74 | 5,66 | 5,18 | 4,42 | 3,50 |
| | 30 | Q _o | 42,09 | 35,01 | 28,92 | 23,69 | 15,41 | 9,51 | 5,44 |
| | | P _e | 7,38 | 7,32 | 7,12 | 6,82 | 5,98 | 4,90 | 3,72 |
| AZ-BK-2x4FES-5Y | 40 | Q _o | 35,61 | 29,66 | 24,51 | 20,08 | 13,03 | 7,98 | 4,49 |
| | | P _e | 8,96 | 8,68 | 8,28 | 7,78 | 6,58 | 5,22 | 3,82 |
| | 50 | Q _o | 28,80 | 24,03 | 19,87 | 16,27 | 10,51 | 6,35 | 3,47 |
| | | P _e | 10,24 | 9,76 | 9,16 | 8,50 | 6,98 | 5,36 | 3,74 |
| AZ-BK-2x4EES-4Y | 20 | Q _o | - | 50,56 | 41,85 | 34,36 | 22,49 | 13,99 | 8,10 |
| | | P _e | - | 7,30 | 7,34 | 7,22 | 6,56 | 5,50 | 4,26 |
| | 30 | Q _o | - | 44,24 | 36,60 | 30,03 | 19,59 | 12,10 | 6,91 |
| | | P _e | - | 9,50 | 9,22 | 8,80 | 7,60 | 6,10 | 4,52 |
| AZ-BK-2x4EES-4Y | 40 | Q _o | - | 37,62 | 31,11 | 25,49 | 16,54 | 10,11 | 5,65 |
| | | P _e | - | 11,42 | 10,84 | 10,12 | 8,40 | 6,50 | 4,62 |
| | 50 | Q _o | - | 30,72 | 25,38 | 20,76 | 13,37 | 8,04 | 4,34 |
| | | P _e | - | 13,04 | 12,14 | 11,16 | 8,98 | 6,70 | 4,54 |

Additional fan cooling required for compressor heads. Compressor operating range p. 8.

► COOLING CAPACITY AND POWER CONSUMPTION FOR R404A

| TYPE | t _c | Q _o COOLING CAPACITY [kW] | | | | | | | |
|-----------------|----------------|--|------------------------------|-------|-------|-------|-------|-------|-------|
| | | ▼ P _e POWER CONSUMPTION [kW] | EVAPORATION TEMPERATURE [°C] | | | | | | |
| | | | 5 | 0 | -5 | -10 | -20 | -30 | -40 |
| AZ-BK-2x4EES-6Y | 20 | Q _o | - | 50,34 | 41,62 | 34,13 | 22,27 | 13,78 | 7,90 |
| | | P _e | - | 7,24 | 7,28 | 7,16 | 6,50 | 5,48 | 4,26 |
| | 30 | Q _o | 52,83 | 43,97 | 36,33 | 29,76 | 19,33 | 11,85 | 6,69 |
| | | P _e | 9,40 | 9,30 | 9,02 | 8,60 | 7,44 | 6,00 | 4,46 |
| | 40 | Q _o | 44,82 | 37,29 | 30,78 | 25,17 | 16,24 | 9,83 | 5,41 |
| | | P _e | 11,44 | 11,04 | 10,48 | 9,80 | 8,16 | 6,34 | 4,50 |
| | 50 | Q _o | 36,48 | 30,35 | 25,02 | 20,41 | 13,04 | 7,74 | 4,09 |
| | | P _e | 13,14 | 12,44 | 11,62 | 10,70 | 8,64 | 6,46 | 4,36 |
| AZ-BK-2x4DES-5Y | 20 | Q _o | - | 59,87 | 49,69 | 40,92 | 26,95 | 16,85 | 9,78 |
| | | P _e | - | 8,76 | 8,80 | 8,66 | 7,86 | 6,60 | 5,14 |
| | 30 | Q _o | - | 52,44 | 43,47 | 35,73 | 23,39 | 14,49 | 8,28 |
| | | P _e | - | 11,28 | 10,94 | 10,44 | 9,02 | 7,26 | 5,40 |
| | 40 | Q _o | - | 44,80 | 37,06 | 30,38 | 19,74 | 12,07 | 6,75 |
| | | P _e | - | 13,48 | 12,80 | 11,94 | 9,94 | 7,72 | 5,52 |
| | 50 | Q _o | - | 36,88 | 30,44 | 24,87 | 15,99 | 9,61 | 5,21 |
| | | P _e | - | 15,38 | 14,34 | 13,18 | 10,62 | 7,98 | 5,48 |
| AZ-BK-2x4DES-7Y | 20 | Q _o | - | 59,91 | 49,72 | 40,94 | 26,95 | 16,85 | 9,77 |
| | | P _e | - | 8,70 | 8,74 | 8,60 | 7,84 | 6,62 | 5,20 |
| | 30 | Q _o | 62,87 | 52,47 | 43,48 | 35,74 | 23,39 | 14,49 | 8,28 |
| | | P _e | 11,20 | 11,08 | 10,78 | 10,30 | 8,94 | 7,26 | 5,46 |
| | 40 | Q _o | 53,75 | 44,81 | 37,07 | 30,39 | 19,74 | 12,07 | 6,75 |
| | | P _e | 13,62 | 13,14 | 12,50 | 11,70 | 9,82 | 7,70 | 5,58 |
| | 50 | Q _o | 44,27 | 36,87 | 30,44 | 24,87 | 15,99 | 9,61 | 5,21 |
| | | P _e | 15,66 | 14,86 | 13,92 | 12,84 | 10,46 | 7,96 | 5,54 |
| AZ-BK-2x4CES-6Y | 20 | Q _o | - | 72,57 | 60,37 | 49,84 | 32,96 | 20,66 | 11,94 |
| | | P _e | - | 10,72 | 10,78 | 10,56 | 9,54 | 7,96 | 6,14 |
| | 30 | Q _o | - | 63,47 | 52,63 | 43,27 | 28,31 | 17,47 | 9,86 |
| | | P _e | - | 13,64 | 13,22 | 12,58 | 10,80 | 8,62 | 6,34 |
| | 40 | Q _o | - | 54,30 | 44,86 | 36,70 | 23,71 | 14,36 | 7,87 |
| | | P _e | - | 16,20 | 15,32 | 14,28 | 11,80 | 9,08 | 6,42 |
| | 50 | Q _o | - | 45,00 | 37,04 | 30,16 | 19,21 | 11,39 | 6,03 |
| | | P _e | - | 18,38 | 17,10 | 15,66 | 12,54 | 9,34 | 6,34 |
| AZ-BK-2x4CES-9Y | 20 | Q _o | - | 72,57 | 60,37 | 49,84 | 32,96 | 20,66 | 11,94 |
| | | P _e | - | 10,72 | 10,78 | 10,56 | 9,54 | 7,96 | 6,14 |
| | 30 | Q _o | 76,00 | 63,47 | 52,63 | 43,27 | 28,31 | 17,47 | 9,86 |
| | | P _e | 13,82 | 13,64 | 13,22 | 12,58 | 10,80 | 8,62 | 6,34 |
| | 40 | Q _o | 65,20 | 54,30 | 44,86 | 36,70 | 23,71 | 14,36 | 7,87 |
| | | P _e | 16,84 | 16,20 | 15,32 | 14,28 | 11,80 | 9,08 | 6,42 |
| | 50 | Q _o | 54,18 | 45,00 | 37,04 | 30,16 | 19,21 | 11,39 | 6,03 |
| | | P _e | 19,50 | 18,38 | 17,10 | 15,66 | 12,54 | 9,34 | 6,34 |
| AZ-BK-2x4BES-9Y | 20 | Q _o | - | 79,8 | 66,4 | 54,8 | 36,26 | 22,7 | 13,1 |
| | | P _e | - | 11,92 | 11,98 | 11,76 | 10,62 | 8,86 | 6,84 |
| | 30 | Q _o | - | 69,8 | 57,8 | 47,6 | 31,12 | 19,18 | 10,8 |
| | | P _e | - | 15,18 | 14,7 | 14 | 12,02 | 9,58 | 7,06 |
| | 40 | Q _o | - | 59,8 | 49,4 | 40,4 | 26,04 | 15,74 | 8,6 |
| | | P _e | - | 18,02 | 17,04 | 15,88 | 13,12 | 10,1 | 7,14 |
| | 50 | Q _o | - | 49,4 | 40,6 | 33,12 | 21,08 | 12,48 | 6,58 |
| | | P _e | - | 20,44 | 19,02 | 17,42 | 13,96 | 10,38 | 7,06 |

Additional fan cooling required for compressor heads. Compressor operating range p. 8.

► COOLING CAPACITY AND POWER CONSUMPTION FOR R404A

| TYPE | t _c | Q _o COOLING CAPACITY [kW] | | | | | | | |
|------------------|----------------|--|------------------------------|--------|-------|-------|-------|-------|-------|
| | | ▼ P _e POWER CONSUMPTION [kW] | EVAPORATION TEMPERATURE [°C] | | | | | | |
| | | | 5 | 0 | -5 | -10 | -20 | -30 | -40 |
| AZ-BK-2x4VES-7Y | 20 | Q _o | - | 79,24 | 65,54 | 53,73 | 34,89 | 21,27 | 11,72 |
| | | P _e | - | 11,72 | 11,62 | 11,26 | 9,86 | 7,92 | 5,84 |
| | 30 | Q _o | - | 67,94 | 56,00 | 45,71 | 29,31 | 17,51 | 9,31 |
| | | P _e | - | 14,48 | 13,82 | 12,94 | 10,72 | 8,20 | 5,72 |
| | 40 | Q _o | - | 57,21 | 46,95 | 38,11 | 24,05 | 13,98 | 7,05 |
| | | P _e | - | 17,04 | 15,84 | 14,48 | 11,50 | 8,42 | 5,60 |
| | 50 | Q _o | - | 46,75 | 38,17 | 30,77 | 19,01 | 10,64 | 4,96 |
| | | P _e | - | 19,40 | 17,64 | 15,84 | 12,16 | 8,58 | 5,38 |
| AZ-BK-2x4VES-10Y | 20 | Q _o | - | 78,89 | 65,23 | 53,46 | 34,72 | 21,20 | 11,76 |
| | | P _e | - | 11,32 | 11,26 | 10,94 | 9,68 | 7,88 | 5,94 |
| | 30 | Q _o | 81,96 | 68,06 | 56,06 | 45,73 | 29,31 | 17,53 | 9,38 |
| | | P _e | 14,24 | 13,94 | 13,38 | 12,62 | 10,58 | 8,22 | 5,84 |
| | 40 | Q _o | 69,38 | 57,42 | 47,08 | 38,18 | 24,07 | 14,01 | 7,13 |
| | | P _e | 17,06 | 16,24 | 15,22 | 14,02 | 11,32 | 8,42 | 5,70 |
| | 50 | Q _o | 56,82 | 46,84 | 38,21 | 30,77 | 19,01 | 10,67 | 5,05 |
| | | P _e | 19,50 | 18,20 | 16,76 | 15,18 | 11,86 | 8,50 | 5,46 |
| AZ-BK-2x4TES-9Y | 20 | Q _o | - | 94,45 | 78,20 | 64,21 | 41,92 | 25,82 | 14,55 |
| | | P _e | - | 13,84 | 13,78 | 13,40 | 11,84 | 9,64 | 7,24 |
| | 30 | Q _o | - | 81,68 | 67,44 | 55,17 | 35,64 | 21,60 | 11,84 |
| | | P _e | - | 17,36 | 16,64 | 15,66 | 13,12 | 10,18 | 7,28 |
| | 40 | Q _o | - | 69,19 | 56,93 | 46,36 | 29,55 | 17,51 | 9,23 |
| | | P _e | - | 20,54 | 19,20 | 17,66 | 14,20 | 10,60 | 7,26 |
| | 50 | Q _o | - | 56,74 | 46,48 | 37,64 | 23,58 | 13,57 | 6,75 |
| | | P _e | - | 23,38 | 21,44 | 19,38 | 15,08 | 10,88 | 7,14 |
| AZ-BK-2x4TES-12Y | 20 | Q _o | - | 94,56 | 78,29 | 64,27 | 41,94 | 25,82 | 14,54 |
| | | P _e | - | 13,66 | 13,60 | 13,22 | 11,72 | 9,58 | 7,26 |
| | 30 | Q _o | 98,36 | 81,79 | 67,49 | 55,17 | 35,60 | 21,54 | 11,80 |
| | | P _e | 17,30 | 16,96 | 16,30 | 15,36 | 12,94 | 10,08 | 7,26 |
| | 40 | Q _o | 83,50 | 69,23 | 56,90 | 46,29 | 29,45 | 17,44 | 9,20 |
| | | P _e | 20,84 | 19,88 | 18,66 | 17,22 | 13,94 | 10,48 | 7,26 |
| | 50 | Q _o | 68,63 | 56,73 | 46,43 | 37,56 | 23,50 | 13,54 | 6,79 |
| | | P _e | 23,98 | 22,44 | 20,70 | 18,82 | 14,78 | 10,78 | 7,22 |
| AZ-BK-2x4PES-12Y | 20 | Q _o | - | 108,92 | 89,96 | 73,65 | 47,73 | 29,09 | 16,12 |
| | | P _e | - | 15,50 | 15,42 | 14,98 | 13,24 | 10,74 | 7,98 |
| | 30 | Q _o | - | 94,47 | 77,73 | 63,33 | 40,48 | 24,13 | 12,85 |
| | | P _e | - | 19,52 | 18,72 | 17,60 | 14,70 | 11,30 | 7,90 |
| | 40 | Q _o | - | 79,81 | 65,36 | 52,93 | 33,23 | 19,22 | 9,66 |
| | | P _e | - | 22,96 | 21,44 | 19,70 | 15,72 | 11,52 | 7,54 |
| | 50 | Q _o | - | 64,88 | 52,83 | 42,45 | 26,04 | 14,45 | 6,65 |
| | | P _e | - | 25,76 | 23,58 | 21,22 | 16,28 | 11,34 | 6,84 |
| AZ-BK-2x4PES-15Y | 20 | Q _o | - | 109,70 | 90,62 | 74,19 | 48,04 | 29,19 | 16,04 |
| | | P _e | - | 15,80 | 15,70 | 15,22 | 13,42 | 10,84 | 8,04 |
| | 30 | Q _o | 113,98 | 94,51 | 77,73 | 63,29 | 40,38 | 23,97 | 12,66 |
| | | P _e | 19,96 | 19,50 | 18,68 | 17,56 | 14,64 | 11,24 | 7,86 |
| | 40 | Q _o | 96,32 | 79,55 | 65,09 | 52,65 | 32,97 | 19,00 | 9,50 |
| | | P _e | 23,90 | 22,72 | 21,24 | 19,52 | 15,58 | 11,44 | 7,56 |
| | 50 | Q _o | 78,69 | 64,71 | 52,63 | 42,25 | 25,87 | 14,35 | 6,63 |
| | | P _e | 27,30 | 25,44 | 23,34 | 21,06 | 16,22 | 11,42 | 7,12 |

Additional fan cooling required for compressor heads. Compressor operating range p. 8.

► COOLING CAPACITY AND POWER CONSUMPTION FOR R404A

| TYPE | t _c | Q _o COOLING CAPACITY [kW] | | | | | | | |
|------------------|----------------|--|------------------------------|--------|--------|--------|-------|-------|-------|
| | | ▼ P _e POWER CONSUMPTION [kW] | EVAPORATION TEMPERATURE [°C] | | | | | | |
| | | | 5 | 0 | -5 | -10 | -20 | -30 | -40 |
| AZ-BK-2x4NES-14Y | 20 | Q _o | - | 126,57 | 104,70 | 85,89 | 56,04 | 34,61 | 19,72 |
| | | P _e | - | 18,04 | 18,02 | 17,56 | 15,66 | 12,88 | 9,74 |
| | 30 | Q _o | - | 110,85 | 91,45 | 74,77 | 48,28 | 29,30 | 16,19 |
| | | P _e | - | 23,18 | 22,30 | 21,08 | 17,82 | 13,96 | 10,00 |
| | 40 | Q _o | - | 94,36 | 77,58 | 63,14 | 40,20 | 23,82 | 12,58 |
| | | P _e | - | 27,48 | 25,82 | 23,86 | 19,34 | 14,46 | 9,76 |
| 50 | Q _o | - | 77,09 | 63,11 | 51,05 | 31,90 | 18,28 | 9,02 | |
| | P _e | - | 30,92 | 28,52 | 25,86 | 20,16 | 14,34 | 8,98 | |
| AZ-BK-2x4NES-20Y | 20 | Q _o | - | 128,85 | 106,68 | 87,59 | 57,19 | 35,25 | 19,90 |
| | | P _e | - | 18,46 | 18,38 | 17,88 | 15,88 | 13,04 | 9,92 |
| | 30 | Q _o | 134,10 | 111,50 | 92,00 | 75,22 | 48,56 | 29,43 | 16,19 |
| | | P _e | 23,36 | 22,90 | 22,00 | 20,76 | 17,52 | 13,72 | 9,98 |
| | 40 | Q _o | 113,88 | 94,41 | 77,60 | 63,13 | 40,21 | 23,87 | 12,70 |
| | | P _e | 28,12 | 26,84 | 25,20 | 23,28 | 18,90 | 14,28 | 10,00 |
| 50 | Q _o | 93,65 | 77,41 | 63,36 | 51,27 | 32,15 | 18,62 | 9,48 | |
| | P _e | 32,38 | 30,32 | 27,98 | 25,44 | 20,06 | 14,72 | 10,04 | |
| AZ-BK-2x4JE-15Y | 20 | Q _o | - | 142,53 | 118,84 | 98,32 | 65,33 | 41,06 | 23,61 |
| | | P _e | - | 20,70 | 20,60 | 20,12 | 18,18 | 15,28 | 11,90 |
| | 30 | Q _o | - | 124,82 | 103,84 | 85,66 | 56,38 | 34,87 | 19,47 |
| | | P _e | - | 26,10 | 25,12 | 23,82 | 20,44 | 16,42 | 12,20 |
| | 40 | Q _o | - | 106,84 | 88,62 | 72,80 | 47,31 | 28,61 | 15,29 |
| | | P _e | - | 30,80 | 29,00 | 26,92 | 22,20 | 17,12 | 12,12 |
| 50 | Q _o | - | 88,37 | 73,03 | 59,68 | 38,15 | 22,40 | 11,27 | |
| | P _e | - | 34,80 | 32,20 | 29,38 | 23,40 | 17,34 | 11,64 | |
| AZ-BK-2x4JE-22Y | 20 | Q _o | - | 141,15 | 117,48 | 97,00 | 64,06 | 39,86 | 22,49 |
| | | P _e | - | 20,22 | 20,12 | 19,62 | 17,66 | 14,78 | 11,40 |
| | 30 | Q _o | 147,35 | 123,20 | 102,25 | 84,10 | 54,90 | 33,48 | 18,17 |
| | | P _e | 26,04 | 25,44 | 24,46 | 23,14 | 19,78 | 15,76 | 11,54 |
| | 40 | Q _o | 125,92 | 105,01 | 86,81 | 71,02 | 45,62 | 27,03 | 13,85 |
| | | P _e | 31,42 | 29,92 | 28,10 | 26,04 | 21,34 | 16,28 | 11,24 |
| 50 | Q _o | 103,90 | 86,36 | 71,05 | 57,74 | 36,31 | 20,69 | 9,72 | |
| | P _e | 36,00 | 33,64 | 31,06 | 28,26 | 22,32 | 16,26 | 10,48 | |
| AZ-BK-2x4HE-18Y | 20 | Q _o | - | 165,60 | 138,15 | 114,39 | 76,17 | 48,07 | 27,86 |
| | | P _e | - | 24,84 | 24,62 | 23,94 | 21,46 | 17,94 | 13,92 |
| | 30 | Q _o | - | 145,35 | 121,06 | 100,00 | 66,10 | 41,19 | 23,35 |
| | | P _e | - | 31,32 | 30,04 | 28,40 | 24,24 | 19,42 | 14,42 |
| | 40 | Q _o | - | 124,49 | 103,46 | 85,19 | 55,76 | 34,16 | 18,78 |
| | | P _e | - | 37,00 | 34,72 | 32,16 | 26,46 | 20,40 | 14,56 |
| 50 | Q _o | - | 102,88 | 85,28 | 69,96 | 45,24 | 27,14 | 14,33 | |
| | P _e | - | 41,80 | 38,64 | 35,22 | 28,06 | 20,88 | 14,28 | |
| AZ-BK-2x4HE-25Y | 20 | Q _o | - | 164,54 | 137,11 | 113,37 | 75,19 | 47,14 | 27,00 |
| | | P _e | - | 24,26 | 24,04 | 23,38 | 20,98 | 17,58 | 13,62 |
| | 30 | Q _o | 172,07 | 144,10 | 119,84 | 98,80 | 64,96 | 40,11 | 22,35 |
| | | P _e | 31,10 | 30,30 | 29,10 | 27,52 | 23,56 | 18,88 | 14,00 |
| | 40 | Q _o | 147,23 | 123,08 | 102,07 | 83,83 | 54,46 | 32,95 | 17,66 |
| | | P _e | 37,26 | 35,48 | 33,36 | 30,94 | 25,52 | 19,70 | 13,98 |
| 50 | Q _o | 121,46 | 101,34 | 83,76 | 68,47 | 43,82 | 25,81 | 13,11 | |
| | P _e | 42,40 | 39,78 | 36,82 | 33,64 | 26,88 | 20,00 | 13,52 | |

Additional fan cooling required for compressor heads. Compressor operating range p. 8.

► COOLING CAPACITY AND POWER CONSUMPTION FOR R404A

| TYPE | t _c | Q _o COOLING CAPACITY [kW] | | | | | | | |
|-----------------|----------------|--|------------------------------|--------|--------|--------|--------|-------|-------|
| | | ▼ P _e POWER CONSUMPTION [kW] | EVAPORATION TEMPERATURE [°C] | | | | | | |
| | | | 5 | 0 | -5 | -10 | -20 | -30 | -40 |
| AZ-BK-2x4GE-23Y | 20 | Q _o | - | 190,43 | 158,97 | 131,73 | 87,93 | 55,72 | 32,57 |
| | | P _e | - | 29,66 | 29,24 | 28,32 | 25,20 | 20,94 | 16,18 |
| | 30 | Q _o | - | 167,56 | 139,72 | 115,58 | 76,73 | 48,19 | 27,77 |
| | | P _e | - | 37,44 | 35,76 | 33,68 | 28,60 | 22,82 | 16,96 |
| | 40 | Q _o | - | 143,58 | 119,55 | 98,69 | 65,07 | 40,41 | 22,85 |
| | | P _e | - | 44,20 | 41,40 | 38,26 | 31,36 | 24,18 | 17,36 |
| | 50 | Q _o | - | 118,52 | 98,55 | 81,17 | 53,12 | 32,57 | 18,02 |
| | | P _e | - | 50,20 | 46,20 | 42,00 | 33,44 | 25,00 | 17,36 |
| AZ-BK-2x4GE-30Y | 20 | Q _o | - | 188,62 | 157,18 | 129,97 | 86,24 | 54,13 | 31,08 |
| | | P _e | - | 28,44 | 28,02 | 27,14 | 24,20 | 20,16 | 15,56 |
| | 30 | Q _o | 197,46 | 165,41 | 137,61 | 113,51 | 74,76 | 46,34 | 26,03 |
| | | P _e | 36,38 | 35,32 | 33,80 | 31,88 | 27,20 | 21,76 | 16,12 |
| | 40 | Q _o | 168,73 | 141,16 | 117,17 | 96,36 | 62,85 | 38,32 | 20,90 |
| | | P _e | 43,20 | 41,20 | 38,60 | 35,78 | 29,50 | 22,80 | 16,26 |
| | 50 | Q _o | 138,70 | 115,89 | 95,96 | 78,63 | 50,69 | 30,29 | 15,90 |
| | | P _e | 49,00 | 45,80 | 42,40 | 38,84 | 31,12 | 23,28 | 15,92 |
| AZ-BK-2x4FE-28Y | 20 | Q _o | - | 225,28 | 188,04 | 155,84 | 104,16 | 66,34 | 39,35 |
| | | P _e | - | 35,64 | 35,16 | 34,04 | 30,32 | 25,24 | 19,58 |
| | 30 | Q _o | - | 197,45 | 164,85 | 136,57 | 91,01 | 57,49 | 33,42 |
| | | P _e | - | 44,20 | 42,60 | 40,20 | 34,40 | 27,54 | 20,42 |
| | 40 | Q _o | - | 168,76 | 140,94 | 116,72 | 77,47 | 48,36 | 27,25 |
| | | P _e | - | 52,00 | 49,00 | 45,60 | 37,66 | 29,08 | 20,62 |
| | 50 | Q _o | - | 139,14 | 116,28 | 96,26 | 63,54 | 38,98 | 20,88 |
| | | P _e | - | 58,60 | 54,40 | 49,80 | 40,00 | 29,82 | 20,08 |
| AZ-BK-2x4FE-35Y | 20 | Q _o | - | 224,52 | 187,29 | 155,10 | 103,46 | 65,67 | 38,72 |
| | | P _e | - | 35,00 | 34,52 | 33,40 | 29,72 | 24,70 | 19,10 |
| | 30 | Q _o | 234,11 | 196,56 | 163,97 | 135,71 | 90,19 | 56,71 | 32,68 |
| | | P _e | 44,60 | 43,40 | 41,60 | 39,42 | 33,66 | 26,88 | 19,84 |
| | 40 | Q _o | 199,62 | 167,74 | 139,95 | 115,74 | 76,53 | 47,48 | 26,43 |
| | | P _e | 53,20 | 50,80 | 48,00 | 44,60 | 36,76 | 28,30 | 19,94 |
| | 50 | Q _o | 164,02 | 138,01 | 115,18 | 95,18 | 62,51 | 38,01 | 19,99 |
| | | P _e | 60,80 | 57,20 | 53,00 | 48,60 | 38,92 | 28,90 | 19,26 |
| AZ-BK-2x6HE-28Y | 20 | Q _o | - | 243,84 | 203,49 | 168,56 | 112,41 | 71,17 | 41,57 |
| | | P _e | - | 36,92 | 36,54 | 35,48 | 31,62 | 26,24 | 20,20 |
| | 30 | Q _o | - | 213,34 | 177,74 | 146,88 | 97,22 | 60,74 | 34,63 |
| | | P _e | - | 45,80 | 44,20 | 41,80 | 35,66 | 28,42 | 20,92 |
| | 40 | Q _o | - | 182,70 | 151,89 | 125,13 | 82,00 | 50,34 | 27,76 |
| | | P _e | - | 54,00 | 51,00 | 47,20 | 38,98 | 29,94 | 21,02 |
| | 50 | Q _o | - | 151,38 | 125,53 | 103,01 | 66,64 | 39,94 | 20,98 |
| | | P _e | - | 61,20 | 56,80 | 51,80 | 41,40 | 30,64 | 20,36 |
| AZ-BK-2x6HE-35Y | 20 | Q _o | - | 242,26 | 201,93 | 167,03 | 110,95 | 69,78 | 40,26 |
| | | P _e | - | 36,24 | 35,88 | 34,84 | 31,16 | 26,00 | 20,18 |
| | 30 | Q _o | 252,46 | 211,47 | 175,91 | 145,08 | 95,50 | 59,12 | 33,12 |
| | | P _e | 45,80 | 44,80 | 43,00 | 40,80 | 35,04 | 28,12 | 20,88 |
| | 40 | Q _o | 215,92 | 180,57 | 149,81 | 123,09 | 80,06 | 48,51 | 26,06 |
| | | P _e | 54,60 | 52,40 | 49,40 | 46,00 | 38,24 | 29,62 | 20,98 |
| | 50 | Q _o | 178,58 | 149,05 | 123,25 | 100,78 | 64,52 | 37,95 | 19,14 |
| | | P _e | 62,40 | 58,80 | 54,80 | 50,40 | 40,60 | 30,28 | 20,22 |

Additional fan cooling required for compressor heads. Compressor operating range p. 8.

► COOLING CAPACITY AND POWER CONSUMPTION FOR R404A

| TYPE | t _c | Q _o COOLING CAPACITY [kW] | | | | | | | |
|-----------------|----------------|--------------------------------------|---------------------------------------|--------|--------|--------|--------|-------|-------|
| | | ▼ | P _e POWER CONSUMPTION [kW] | | | | | | |
| | | | EVAPORATION TEMPERATURE [°C] | | | | | | |
| | | | 5 | 0 | -5 | -10 | -20 | -30 | -40 |
| AZ-BK-2x6GE-34Y | 20 | Q _o | - | 281,52 | 235,23 | 195,18 | 130,88 | 83,74 | 50,03 |
| | | P _e | - | 45,20 | 44,20 | 42,60 | 37,80 | 31,42 | 24,48 |
| | 30 | Q _o | - | 245,79 | 205,39 | 170,35 | 113,90 | 72,37 | 42,56 |
| | | P _e | - | 55,40 | 53,00 | 50,00 | 42,80 | 34,42 | 25,96 |
| | 40 | Q _o | - | 210,43 | 175,86 | 145,77 | 97,13 | 61,19 | 35,31 |
| | | P _e | - | 65,20 | 61,40 | 57,00 | 47,20 | 36,92 | 26,92 |
| | 50 | Q _o | - | 174,38 | 145,69 | 120,62 | 79,90 | 49,68 | 27,86 |
| | | P _e | - | 74,40 | 69,00 | 63,20 | 51,00 | 38,66 | 27,08 |
| AZ-BK-2x6GE-40Y | 20 | Q _o | - | 277,53 | 231,22 | 191,19 | 126,99 | 80,03 | 46,57 |
| | | P _e | - | 43,60 | 42,80 | 41,20 | 36,68 | 30,60 | 23,86 |
| | 30 | Q _o | 287,36 | 240,88 | 200,56 | 165,60 | 109,37 | 68,09 | 38,57 |
| | | P _e | 54,00 | 52,60 | 50,40 | 47,60 | 40,80 | 33,02 | 24,82 |
| | 40 | Q _o | 244,37 | 204,82 | 170,36 | 140,40 | 92,02 | 56,38 | 30,82 |
| | | P _e | 63,60 | 60,80 | 57,40 | 53,40 | 44,60 | 34,82 | 25,10 |
| | 50 | Q _o | 200,85 | 168,25 | 139,71 | 114,78 | 74,35 | 44,45 | 22,97 |
| | | P _e | 72,20 | 68,20 | 63,40 | 58,40 | 47,20 | 35,68 | 24,34 |
| AZ-BK-2x6FE-44Y | 20 | Q _o | - | 337,92 | 282,06 | 233,75 | 156,25 | 99,51 | 59,02 |
| | | P _e | - | 54,40 | 53,60 | 52,00 | 46,60 | 39,16 | 30,84 |
| | 30 | Q _o | - | 296,18 | 247,27 | 204,85 | 136,52 | 86,23 | 50,13 |
| | | P _e | - | 66,80 | 64,40 | 61,00 | 52,60 | 42,60 | 32,10 |
| | 40 | Q _o | - | 253,14 | 211,42 | 175,08 | 116,20 | 72,54 | 40,87 |
| | | P _e | - | 78,00 | 73,60 | 68,60 | 57,20 | 44,80 | 32,38 |
| | 50 | Q _o | - | 208,71 | 174,43 | 144,38 | 95,31 | 58,47 | 31,32 |
| | | P _e | - | 87,40 | 81,40 | 74,80 | 60,60 | 45,80 | 31,60 |
| AZ-BK-2x6FE-50Y | 20 | Q _o | - | 335,03 | 279,21 | 230,96 | 153,57 | 96,97 | 56,63 |
| | | P _e | - | 53,20 | 52,40 | 50,80 | 45,20 | 37,80 | 29,44 |
| | 30 | Q _o | 349,09 | 292,81 | 243,96 | 201,60 | 133,40 | 83,27 | 47,35 |
| | | P _e | 66,80 | 65,20 | 62,60 | 59,20 | 50,80 | 40,80 | 30,28 |
| | 40 | Q _o | 297,06 | 249,29 | 207,63 | 171,37 | 112,66 | 69,19 | 37,76 |
| | | P _e | 79,20 | 75,60 | 71,40 | 66,40 | 55,00 | 42,40 | 30,00 |
| | 50 | Q _o | 243,42 | 204,46 | 170,25 | 140,29 | 91,40 | 54,79 | 27,94 |
| | | P _e | 89,60 | 84,20 | 78,40 | 71,80 | 57,60 | 42,80 | 28,48 |
| AZ-BK-3x2GES-2Y | 20 | Q _o | - | 24,26 | 20,20 | 16,69 | 11,03 | 6,88 | 3,89 |
| | | P _e | - | 4,02 | 4,02 | 3,96 | 3,66 | 3,15 | 2,46 |
| | 30 | Q _o | 24,68 | 20,67 | 17,18 | 14,16 | 9,28 | 5,68 | 3,08 |
| | | P _e | 5,01 | 4,95 | 4,80 | 4,59 | 4,02 | 3,30 | 2,43 |
| | 40 | Q _o | 20,73 | 17,34 | 14,38 | 11,80 | 7,63 | 4,55 | 2,32 |
| | | P _e | 6,00 | 5,79 | 5,49 | 5,16 | 4,35 | 3,39 | 2,37 |
| | 50 | Q _o | 16,94 | 14,13 | 11,68 | 9,53 | 6,05 | 3,48 | 1,62 |
| | | P _e | 6,99 | 6,60 | 6,15 | 5,70 | 4,62 | 3,48 | 2,28 |
| AZ-BK-3x2FES-2Y | 20 | Q _o | - | 30,85 | 25,66 | 21,17 | 13,95 | 8,65 | 4,84 |
| | | P _e | - | 5,01 | 5,07 | 5,04 | 4,62 | 3,90 | 3,00 |
| | 30 | Q _o | - | 26,09 | 21,65 | 17,81 | 11,61 | 7,04 | 3,76 |
| | | P _e | - | 6,06 | 5,94 | 5,73 | 5,01 | 4,05 | 2,94 |
| | 40 | Q _o | - | 21,58 | 17,88 | 14,66 | 9,44 | 5,58 | 2,79 |
| | | P _e | - | 7,11 | 6,81 | 6,39 | 5,37 | 4,17 | 2,91 |
| | 50 | Q _o | - | 17,31 | 14,31 | 11,69 | 7,43 | 4,25 | 1,95 |
| | | P _e | - | 8,16 | 7,65 | 7,08 | 5,76 | 4,32 | 2,91 |

Additional fan cooling required for compressor heads. Compressor operating range p. 8.

► COOLING CAPACITY AND POWER CONSUMPTION FOR R404A

| TYPE | t _c | Q _o COOLING CAPACITY [kW] | | | | | | | |
|-----------------|----------------|--|------------------------------|-------|-------|-------|-------|-------|------|
| | | ▼ P _e POWER CONSUMPTION [kW] | EVAPORATION TEMPERATURE [°C] | | | | | | |
| | | | 5 | 0 | -5 | -10 | -20 | -30 | -40 |
| AZ-BK-3x2FES-3Y | 20 | Q _o | - | 30,70 | 25,53 | 21,05 | 13,87 | 8,59 | 4,81 |
| | | P _e | - | 4,86 | 4,86 | 4,80 | 4,41 | 3,81 | 3,00 |
| | 30 | Q _o | 30,97 | 25,91 | 21,51 | 17,69 | 11,54 | 7,01 | 3,74 |
| | | P _e | 6,09 | 6,00 | 5,85 | 5,58 | 4,89 | 4,02 | 3,00 |
| | 40 | Q _o | 25,69 | 21,47 | 17,79 | 14,59 | 9,40 | 5,57 | 2,79 |
| | | P _e | 7,38 | 7,11 | 6,75 | 6,30 | 5,31 | 4,14 | 2,88 |
| 50 | Q _o | 20,68 | 17,27 | 14,27 | 11,66 | 7,40 | 4,23 | 1,93 | |
| | P _e | 8,64 | 8,16 | 7,59 | 6,99 | 5,64 | 4,20 | 2,73 | |
| AZ-BK-3x2EES-2Y | 20 | Q _o | - | 37,50 | 31,20 | 25,74 | 16,95 | 10,48 | 5,82 |
| | | P _e | - | 5,55 | 5,52 | 5,40 | 4,89 | 4,08 | 3,12 |
| | 30 | Q _o | - | 32,76 | 27,22 | 22,42 | 14,66 | 8,93 | 4,79 |
| | | P _e | - | 7,11 | 6,84 | 6,48 | 5,55 | 4,41 | 3,21 |
| | 40 | Q _o | - | 27,77 | 23,02 | 18,89 | 12,20 | 7,25 | 3,67 |
| | | P _e | - | 8,43 | 7,92 | 7,35 | 6,03 | 4,59 | 3,12 |
| 50 | Q _o | - | 22,47 | 18,55 | 15,13 | 9,58 | 5,46 | 2,49 | |
| | P _e | - | 9,48 | 8,73 | 7,95 | 6,27 | 4,53 | 2,85 | |
| AZ-BK-3x2EES-3Y | 20 | Q _o | - | 37,50 | 31,20 | 25,74 | 16,95 | 10,48 | 5,82 |
| | | P _e | - | 5,58 | 5,58 | 5,46 | 4,95 | 4,17 | 3,24 |
| | 30 | Q _o | 39,13 | 32,76 | 27,22 | 22,42 | 14,66 | 8,93 | 4,79 |
| | | P _e | 7,20 | 7,08 | 6,81 | 6,48 | 5,61 | 4,50 | 3,33 |
| | 40 | Q _o | 33,21 | 27,77 | 23,02 | 18,89 | 12,20 | 7,25 | 3,67 |
| | | P _e | 8,67 | 8,28 | 7,83 | 7,29 | 6,06 | 4,65 | 3,24 |
| 50 | Q _o | 26,94 | 22,47 | 18,55 | 15,13 | 9,58 | 5,46 | 2,49 | |
| | P _e | 9,81 | 9,24 | 8,58 | 7,86 | 6,27 | 4,62 | 2,97 | |
| AZ-BK-3x2DES-2Y | 20 | Q _o | - | 44,52 | 37,07 | 30,63 | 20,24 | 12,59 | 7,06 |
| | | P _e | - | 6,69 | 6,66 | 6,54 | 5,91 | 4,95 | 3,81 |
| | 30 | Q _o | - | 38,97 | 32,42 | 26,74 | 17,57 | 10,79 | 5,87 |
| | | P _e | - | 8,61 | 8,28 | 7,86 | 6,75 | 5,40 | 3,93 |
| | 40 | Q _o | - | 33,11 | 27,50 | 22,61 | 14,70 | 8,83 | 4,58 |
| | | P _e | - | 10,26 | 9,66 | 8,94 | 7,38 | 5,64 | 3,90 |
| 50 | Q _o | - | 26,88 | 22,25 | 18,20 | 11,62 | 6,73 | 3,20 | |
| | P _e | - | 11,61 | 10,71 | 9,75 | 7,74 | 5,64 | 3,66 | |
| AZ-BK-3x2DES-3Y | 20 | Q _o | - | 44,52 | 37,07 | 30,63 | 20,24 | 12,59 | 7,06 |
| | | P _e | - | 6,60 | 6,60 | 6,45 | 5,88 | 4,95 | 3,84 |
| | 30 | Q _o | 46,49 | 38,97 | 32,42 | 26,74 | 17,57 | 10,79 | 5,87 |
| | | P _e | 8,61 | 8,43 | 8,13 | 7,74 | 6,66 | 5,37 | 3,99 |
| | 40 | Q _o | 39,54 | 33,11 | 27,50 | 22,61 | 14,70 | 8,83 | 4,58 |
| | | P _e | 10,41 | 9,96 | 9,39 | 8,76 | 7,26 | 5,61 | 3,93 |
| 50 | Q _o | 32,17 | 26,88 | 22,25 | 18,20 | 11,62 | 6,73 | 3,20 | |
| | P _e | 11,91 | 11,19 | 10,38 | 9,51 | 7,59 | 5,64 | 3,72 | |
| AZ-BK-3x2CES-3Y | 20 | Q _o | - | 54,28 | 45,28 | 37,47 | 24,90 | 15,62 | 8,89 |
| | | P _e | - | 8,07 | 8,07 | 7,92 | 7,20 | 6,06 | 4,74 |
| | 30 | Q _o | - | 47,66 | 39,74 | 32,86 | 21,74 | 13,50 | 7,51 |
| | | P _e | - | 10,41 | 10,05 | 9,57 | 8,25 | 6,69 | 4,98 |
| | 40 | Q _o | - | 40,65 | 33,85 | 27,93 | 18,32 | 11,18 | 5,99 |
| | | P _e | - | 12,45 | 11,76 | 10,95 | 9,09 | 7,08 | 5,07 |
| 50 | Q _o | - | 33,17 | 27,55 | 22,63 | 14,63 | 8,67 | 4,35 | |
| | P _e | - | 14,19 | 13,14 | 12,03 | 9,66 | 7,23 | 4,92 | |

Additional fan cooling required for compressor heads. Compressor operating range p. 8.

► COOLING CAPACITY AND POWER CONSUMPTION FOR R404A

| TYPE | t _c | Q _o COOLING CAPACITY [kW] | | | | | | | |
|------------------|----------------|---------------------------------------|--------|--------|--------|--------|--------|-------|-------|
| | | P _e POWER CONSUMPTION [kW] | | | | | | | |
| | | EVAPORATION TEMPERATURE [°C] | | | | | | | |
| | | | 5 | 0 | -5 | -10 | -20 | -30 | -40 |
| AZ-BK-4x4PES-12Y | 20 | Q _o | - | 217,85 | 179,93 | 147,31 | 95,46 | 58,18 | 32,24 |
| | | P _e | - | 31,00 | 30,84 | 29,96 | 26,48 | 21,48 | 15,96 |
| | 30 | Q _o | - | 188,94 | 155,46 | 126,66 | 80,96 | 48,25 | 25,70 |
| | | P _e | - | 39,04 | 37,44 | 35,20 | 29,40 | 22,60 | 15,80 |
| | 40 | Q _o | - | 159,62 | 130,72 | 105,85 | 66,46 | 38,44 | 19,32 |
| | | P _e | - | 45,92 | 42,88 | 39,40 | 31,44 | 23,04 | 15,08 |
| | 50 | Q _o | - | 129,76 | 105,66 | 84,90 | 52,09 | 28,90 | 13,29 |
| | | P _e | - | 51,52 | 47,16 | 42,44 | 32,56 | 22,68 | 13,68 |
| AZ-BK-4x4PES-15Y | 20 | Q _o | - | 219,41 | 181,24 | 148,38 | 96,08 | 58,38 | 32,08 |
| | | P _e | - | 31,60 | 31,40 | 30,44 | 26,84 | 21,68 | 16,08 |
| | 30 | Q _o | 227,96 | 189,03 | 155,46 | 126,58 | 80,75 | 47,94 | 25,32 |
| | | P _e | 39,92 | 39,00 | 37,36 | 35,12 | 29,28 | 22,48 | 15,72 |
| | 40 | Q _o | 192,64 | 159,11 | 130,18 | 105,30 | 65,95 | 38,01 | 19,00 |
| | | P _e | 47,80 | 45,44 | 42,48 | 39,04 | 31,16 | 22,88 | 15,12 |
| | 50 | Q _o | 157,38 | 129,42 | 105,26 | 84,50 | 51,74 | 28,69 | 13,26 |
| | | P _e | 54,60 | 50,88 | 46,68 | 42,12 | 32,44 | 22,84 | 14,24 |
| AZ-BK-4x4NES-14Y | 20 | Q _o | - | 253,13 | 209,39 | 171,79 | 112,09 | 69,22 | 39,43 |
| | | P _e | - | 36,08 | 36,04 | 35,12 | 31,32 | 25,76 | 19,48 |
| | 30 | Q _o | - | 221,69 | 182,91 | 149,54 | 96,57 | 58,61 | 32,38 |
| | | P _e | - | 46,36 | 44,60 | 42,16 | 35,64 | 27,92 | 20,00 |
| | 40 | Q _o | - | 188,72 | 155,17 | 126,27 | 80,41 | 47,65 | 25,16 |
| | | P _e | - | 54,96 | 51,64 | 47,72 | 38,68 | 28,92 | 19,52 |
| | 50 | Q _o | - | 154,18 | 126,22 | 102,10 | 63,80 | 36,56 | 18,03 |
| | | P _e | - | 61,84 | 57,04 | 51,72 | 40,32 | 28,68 | 17,96 |
| AZ-BK-4x4NES-20Y | 20 | Q _o | - | 257,70 | 213,37 | 175,19 | 114,39 | 70,50 | 39,81 |
| | | P _e | - | 36,92 | 36,76 | 35,76 | 31,76 | 26,08 | 19,84 |
| | 30 | Q _o | 268,20 | 222,99 | 184,00 | 150,44 | 97,11 | 58,86 | 32,38 |
| | | P _e | 46,72 | 45,80 | 44,00 | 41,52 | 35,04 | 27,44 | 19,96 |
| | 40 | Q _o | 227,76 | 188,82 | 155,19 | 126,26 | 80,42 | 47,75 | 25,41 |
| | | P _e | 56,24 | 53,68 | 50,40 | 46,56 | 37,80 | 28,56 | 20,00 |
| | 50 | Q _o | 187,30 | 154,82 | 126,72 | 102,54 | 64,30 | 37,24 | 18,96 |
| | | P _e | 64,76 | 60,64 | 55,96 | 50,88 | 40,12 | 29,44 | 20,08 |
| AZ-BK-4x4JE-15Y | 20 | Q _o | - | 285,07 | 237,68 | 196,64 | 130,66 | 82,12 | 47,21 |
| | | P _e | - | 41,40 | 41,20 | 40,24 | 36,36 | 30,56 | 23,80 |
| | 30 | Q _o | - | 249,64 | 207,69 | 171,32 | 112,77 | 69,75 | 38,93 |
| | | P _e | - | 52,20 | 50,24 | 47,64 | 40,88 | 32,84 | 24,40 |
| | 40 | Q _o | - | 213,68 | 177,24 | 145,60 | 94,61 | 57,21 | 30,58 |
| | | P _e | - | 61,60 | 58,00 | 53,84 | 44,40 | 34,24 | 24,24 |
| | 50 | Q _o | - | 176,74 | 146,06 | 119,36 | 76,30 | 44,80 | 22,54 |
| | | P _e | - | 69,60 | 64,40 | 58,76 | 46,80 | 34,68 | 23,28 |
| AZ-BK-4x4JE-22Y | 20 | Q _o | - | 282,30 | 234,96 | 193,99 | 128,12 | 79,73 | 44,98 |
| | | P _e | - | 40,44 | 40,24 | 39,24 | 35,32 | 29,56 | 22,80 |
| | 30 | Q _o | 294,70 | 246,40 | 204,51 | 168,20 | 109,80 | 66,95 | 36,35 |
| | | P _e | 52,08 | 50,88 | 48,92 | 46,28 | 39,56 | 31,52 | 23,08 |
| | 40 | Q _o | 251,84 | 210,01 | 173,63 | 142,04 | 91,24 | 54,06 | 27,70 |
| | | P _e | 62,84 | 59,84 | 56,20 | 52,08 | 42,68 | 32,56 | 22,48 |
| | 50 | Q _o | 207,79 | 172,71 | 142,10 | 115,47 | 72,62 | 41,38 | 19,44 |
| | | P _e | 72,00 | 67,28 | 62,12 | 56,52 | 44,64 | 32,52 | 20,96 |

Additional fan cooling required for compressor heads. Compressor operating range p. 8.

► COOLING CAPACITY AND POWER CONSUMPTION FOR R404A

| TYPE | t _c | Q _o COOLING CAPACITY [kW] | | | | | | | |
|-----------------|----------------|--|------------------------------|-------|-------|-------|-------|-------|-------|
| | | ▼ P _e POWER CONSUMPTION [kW] | EVAPORATION TEMPERATURE [°C] | | | | | | |
| | | | 5 | 0 | -5 | -10 | -20 | -30 | -40 |
| AZ-BK-3x2CES-4Y | 20 | Q _o | - | 54,28 | 45,28 | 37,47 | 24,90 | 15,62 | 8,89 |
| | | P _e | - | 8,01 | 8,04 | 7,86 | 7,17 | 6,09 | 4,77 |
| | 30 | Q _o | 56,78 | 47,66 | 39,74 | 32,86 | 21,74 | 13,50 | 7,51 |
| | | P _e | 10,47 | 10,26 | 9,93 | 9,45 | 8,22 | 6,69 | 5,04 |
| | 40 | Q _o | 48,44 | 40,65 | 33,85 | 27,93 | 18,32 | 11,18 | 5,99 |
| | | P _e | 12,72 | 12,18 | 11,52 | 10,77 | 9,00 | 7,05 | 5,10 |
| | 50 | Q _o | 39,58 | 33,17 | 27,55 | 22,63 | 14,63 | 8,67 | 4,35 |
| | | P _e | 14,58 | 13,74 | 12,81 | 11,76 | 9,54 | 7,20 | 4,95 |
| AZ-BK-3x4FES-3Y | 20 | Q _o | - | 60,05 | 49,56 | 40,58 | 26,42 | 16,36 | 9,46 |
| | | P _e | - | 8,58 | 8,64 | 8,52 | 7,77 | 6,60 | 5,19 |
| | 30 | Q _o | - | 52,53 | 43,39 | 35,54 | 23,11 | 14,26 | 8,16 |
| | | P _e | - | 11,13 | 10,83 | 10,35 | 9,03 | 7,32 | 5,52 |
| | 40 | Q _o | - | 44,52 | 36,79 | 30,13 | 19,55 | 11,96 | 6,74 |
| | | P _e | - | 13,32 | 12,69 | 11,88 | 9,99 | 7,83 | 5,67 |
| | 50 | Q _o | - | 36,08 | 29,83 | 24,41 | 15,76 | 9,52 | 5,20 |
| | | P _e | - | 15,09 | 14,13 | 13,05 | 10,62 | 8,04 | 5,55 |
| AZ-BK-3x4FES-5Y | 20 | Q _o | - | 60,06 | 49,57 | 40,59 | 26,43 | 16,37 | 9,47 |
| | | P _e | - | 8,55 | 8,61 | 8,49 | 7,77 | 6,63 | 5,25 |
| | 30 | Q _o | 63,14 | 52,52 | 43,38 | 35,54 | 23,12 | 14,26 | 8,16 |
| | | P _e | 11,07 | 10,98 | 10,68 | 10,23 | 8,97 | 7,35 | 5,58 |
| | 40 | Q _o | 53,42 | 44,49 | 36,77 | 30,12 | 19,55 | 11,96 | 6,73 |
| | | P _e | 13,44 | 13,02 | 12,42 | 11,67 | 9,87 | 7,83 | 5,73 |
| | 50 | Q _o | 43,21 | 36,04 | 29,81 | 24,40 | 15,76 | 9,53 | 5,20 |
| | | P _e | 15,36 | 14,64 | 13,74 | 12,75 | 10,47 | 8,04 | 5,61 |
| AZ-BK-3x4EES-4Y | 20 | Q _o | - | 75,85 | 62,77 | 51,54 | 33,74 | 20,98 | 12,14 |
| | | P _e | - | 10,95 | 11,01 | 10,83 | 9,84 | 8,25 | 6,39 |
| | 30 | Q _o | - | 66,36 | 54,90 | 45,04 | 29,39 | 18,15 | 10,37 |
| | | P _e | - | 14,25 | 13,83 | 13,20 | 11,40 | 9,15 | 6,78 |
| | 40 | Q _o | - | 56,42 | 46,66 | 38,24 | 24,81 | 15,17 | 8,48 |
| | | P _e | - | 17,13 | 16,26 | 15,18 | 12,60 | 9,75 | 6,93 |
| | 50 | Q _o | - | 46,07 | 38,08 | 31,14 | 20,06 | 12,06 | 6,52 |
| | | P _e | - | 19,56 | 18,21 | 16,74 | 13,47 | 10,05 | 6,81 |
| AZ-BK-3x4EES-6Y | 20 | Q _o | - | 75,50 | 62,43 | 51,20 | 33,40 | 20,66 | 11,85 |
| | | P _e | - | 10,86 | 10,92 | 10,74 | 9,75 | 8,22 | 6,39 |
| | 30 | Q _o | 79,25 | 65,95 | 54,49 | 44,63 | 28,99 | 17,78 | 10,03 |
| | | P _e | 14,10 | 13,95 | 13,53 | 12,90 | 11,16 | 9,00 | 6,69 |
| | 40 | Q _o | 67,23 | 55,94 | 46,18 | 37,76 | 24,36 | 14,75 | 8,12 |
| | | P _e | 17,16 | 16,56 | 15,72 | 14,70 | 12,24 | 9,51 | 6,75 |
| | 50 | Q _o | 54,71 | 45,52 | 37,53 | 30,61 | 19,56 | 11,62 | 6,13 |
| | | P _e | 19,71 | 18,66 | 17,43 | 16,05 | 12,96 | 9,69 | 6,54 |
| AZ-BK-3x4DES-5Y | 20 | Q _o | - | 89,81 | 74,54 | 61,38 | 40,42 | 25,28 | 14,67 |
| | | P _e | - | 13,14 | 13,20 | 12,99 | 11,79 | 9,90 | 7,71 |
| | 30 | Q _o | - | 78,67 | 65,20 | 53,59 | 35,09 | 21,74 | 12,42 |
| | | P _e | - | 16,92 | 16,41 | 15,66 | 13,53 | 10,89 | 8,10 |
| | 40 | Q _o | - | 67,20 | 55,60 | 45,58 | 29,60 | 18,11 | 10,12 |
| | | P _e | - | 20,22 | 19,20 | 17,91 | 14,91 | 11,58 | 8,28 |
| | 50 | Q _o | - | 55,32 | 45,67 | 37,31 | 23,99 | 14,41 | 7,81 |
| | | P _e | - | 23,07 | 21,51 | 19,77 | 15,93 | 11,97 | 8,22 |

Additional fan cooling required for compressor heads. Compressor operating range p. 8.

► COOLING CAPACITY AND POWER CONSUMPTION FOR R404A

| TYPE | t _c | Q _o COOLING CAPACITY [kW] | | | | | | | |
|------------------|----------------|--|------------------------------|--------|-------|-------|-------|-------|-------|
| | | ▼ P _e POWER CONSUMPTION [kW] | EVAPORATION TEMPERATURE [°C] | | | | | | |
| | | | 5 | 0 | -5 | -10 | -20 | -30 | -40 |
| AZ-BK-3x4DES-7Y | 20 | Q _o | - | 89,87 | 74,57 | 61,40 | 40,43 | 25,27 | 14,66 |
| | | P _e | - | 13,05 | 13,11 | 12,90 | 11,76 | 9,93 | 7,80 |
| | 30 | Q _o | 94,30 | 78,70 | 65,22 | 53,60 | 35,09 | 21,74 | 12,42 |
| | | P _e | 16,80 | 16,62 | 16,17 | 15,45 | 13,41 | 10,89 | 8,19 |
| | 40 | Q _o | 80,62 | 67,22 | 55,61 | 45,59 | 29,61 | 18,11 | 10,12 |
| | | P _e | 20,43 | 19,71 | 18,75 | 17,55 | 14,73 | 11,55 | 8,37 |
| | 50 | Q _o | 66,41 | 55,31 | 45,65 | 37,31 | 23,99 | 14,42 | 7,82 |
| | | P _e | 23,49 | 22,29 | 20,88 | 19,26 | 15,69 | 11,94 | 8,31 |
| AZ-BK-3x4CES-6Y | 20 | Q _o | - | 108,86 | 90,56 | 74,75 | 49,45 | 30,99 | 17,90 |
| | | P _e | - | 16,08 | 16,17 | 15,84 | 14,31 | 11,94 | 9,21 |
| | 30 | Q _o | - | 95,20 | 78,95 | 64,90 | 42,47 | 26,20 | 14,79 |
| | | P _e | - | 20,46 | 19,83 | 18,87 | 16,20 | 12,93 | 9,51 |
| | 40 | Q _o | - | 81,44 | 67,28 | 55,06 | 35,57 | 21,53 | 11,81 |
| | | P _e | - | 24,30 | 22,98 | 21,42 | 17,70 | 13,62 | 9,63 |
| | 50 | Q _o | - | 67,50 | 55,56 | 45,24 | 28,82 | 17,08 | 9,04 |
| | | P _e | - | 27,57 | 25,65 | 23,49 | 18,81 | 14,01 | 9,51 |
| AZ-BK-3x4CES-9Y | 20 | Q _o | - | 108,86 | 90,56 | 74,75 | 49,45 | 30,99 | 17,90 |
| | | P _e | - | 16,08 | 16,17 | 15,84 | 14,31 | 11,94 | 9,21 |
| | 30 | Q _o | 114,00 | 95,20 | 78,95 | 64,90 | 42,47 | 26,20 | 14,79 |
| | | P _e | 20,73 | 20,46 | 19,83 | 18,87 | 16,20 | 12,93 | 9,51 |
| | 40 | Q _o | 97,80 | 81,44 | 67,28 | 55,06 | 35,57 | 21,53 | 11,81 |
| | | P _e | 25,26 | 24,30 | 22,98 | 21,42 | 17,70 | 13,62 | 9,63 |
| | 50 | Q _o | 81,27 | 67,50 | 55,56 | 45,24 | 28,82 | 17,08 | 9,04 |
| | | P _e | 29,25 | 27,57 | 25,65 | 23,49 | 18,81 | 14,01 | 9,51 |
| AZ-BK-3x4BES-9Y | 20 | Q _o | - | 119,7 | 99,6 | 82,2 | 54,39 | 34,05 | 19,65 |
| | | P _e | - | 17,88 | 17,97 | 17,64 | 15,93 | 13,29 | 10,26 |
| | 30 | Q _o | - | 104,7 | 86,7 | 71,4 | 46,68 | 28,77 | 16,2 |
| | | P _e | - | 22,77 | 22,05 | 21 | 18,03 | 14,37 | 10,59 |
| | 40 | Q _o | - | 89,7 | 74,1 | 60,6 | 39,06 | 23,61 | 12,9 |
| | | P _e | - | 27,03 | 25,56 | 23,82 | 19,68 | 15,15 | 10,71 |
| | 50 | Q _o | - | 74,1 | 60,9 | 49,68 | 31,62 | 18,72 | 9,87 |
| | | P _e | - | 30,66 | 28,53 | 26,13 | 20,94 | 15,57 | 10,59 |
| AZ-BK-3x4VES-7Y | 20 | Q _o | - | 118,87 | 98,31 | 80,59 | 52,34 | 31,90 | 17,57 |
| | | P _e | - | 17,58 | 17,43 | 16,89 | 14,79 | 11,88 | 8,76 |
| | 30 | Q _o | - | 101,92 | 84,00 | 68,56 | 43,97 | 26,27 | 13,96 |
| | | P _e | - | 21,72 | 20,73 | 19,41 | 16,08 | 12,30 | 8,58 |
| | 40 | Q _o | - | 85,81 | 70,43 | 57,16 | 36,07 | 20,96 | 10,58 |
| | | P _e | - | 25,56 | 23,76 | 21,72 | 17,25 | 12,63 | 8,40 |
| | 50 | Q _o | - | 70,13 | 57,26 | 46,15 | 28,52 | 15,96 | 7,44 |
| | | P _e | - | 29,10 | 26,46 | 23,76 | 18,24 | 12,87 | 8,07 |
| AZ-BK-3x4VES-10Y | 20 | Q _o | - | 118,34 | 97,84 | 80,19 | 52,08 | 31,80 | 17,64 |
| | | P _e | - | 16,98 | 16,89 | 16,41 | 14,52 | 11,82 | 8,91 |
| | 30 | Q _o | 122,94 | 102,08 | 84,09 | 68,60 | 43,97 | 26,30 | 14,07 |
| | | P _e | 21,36 | 20,91 | 20,07 | 18,93 | 15,87 | 12,33 | 8,76 |
| | 40 | Q _o | 104,07 | 86,12 | 70,62 | 57,27 | 36,11 | 21,02 | 10,69 |
| | | P _e | 25,59 | 24,36 | 22,83 | 21,03 | 16,98 | 12,63 | 8,55 |
| | 50 | Q _o | 85,22 | 70,26 | 57,32 | 46,16 | 28,51 | 16,01 | 7,58 |
| | | P _e | 29,25 | 27,30 | 25,14 | 22,77 | 17,79 | 12,75 | 8,19 |

Additional fan cooling required for compressor heads. Compressor operating range p. 8.

► COOLING CAPACITY AND POWER CONSUMPTION FOR R404A

| TYPE | t _c | Q _o COOLING CAPACITY [kW] | | | | | | | |
|------------------|----------------|--|------------------------------|--------|--------|--------|-------|-------|-------|
| | | ▼ P _e POWER CONSUMPTION [kW] | EVAPORATION TEMPERATURE [°C] | | | | | | |
| | | | 5 | 0 | -5 | -10 | -20 | -30 | -40 |
| AZ-BK-3x4TES-9Y | 20 | Q _o | - | 141,68 | 117,31 | 96,32 | 62,88 | 38,73 | 21,83 |
| | | P _e | - | 20,76 | 20,67 | 20,10 | 17,76 | 14,46 | 10,86 |
| | 30 | Q _o | - | 122,52 | 101,16 | 82,76 | 53,47 | 32,39 | 17,75 |
| | | P _e | - | 26,04 | 24,96 | 23,49 | 19,68 | 15,27 | 10,92 |
| | 40 | Q _o | - | 103,79 | 85,39 | 69,53 | 44,33 | 26,27 | 13,84 |
| | | P _e | - | 30,81 | 28,80 | 26,49 | 21,30 | 15,90 | 10,89 |
| | 50 | Q _o | - | 85,10 | 69,73 | 56,46 | 35,38 | 20,36 | 10,13 |
| | | P _e | - | 35,07 | 32,16 | 29,07 | 22,62 | 16,32 | 10,71 |
| AZ-BK-3x4TES-12Y | 20 | Q _o | - | 141,85 | 117,43 | 96,40 | 62,91 | 38,72 | 21,81 |
| | | P _e | - | 20,49 | 20,40 | 19,83 | 17,58 | 14,37 | 10,89 |
| | 30 | Q _o | 147,54 | 122,68 | 101,23 | 82,76 | 53,39 | 32,31 | 17,70 |
| | | P _e | 25,95 | 25,44 | 24,45 | 23,04 | 19,41 | 15,12 | 10,89 |
| | 40 | Q _o | 125,25 | 103,85 | 85,35 | 69,43 | 44,18 | 26,15 | 13,80 |
| | | P _e | 31,26 | 29,82 | 27,99 | 25,83 | 20,91 | 15,72 | 10,89 |
| | 50 | Q _o | 102,95 | 85,10 | 69,65 | 56,34 | 35,26 | 20,31 | 10,19 |
| | | P _e | 35,97 | 33,66 | 31,05 | 28,23 | 22,17 | 16,17 | 10,83 |
| AZ-BK-3x4PES-12Y | 20 | Q _o | - | 163,39 | 134,95 | 110,48 | 71,60 | 43,64 | 24,18 |
| | | P _e | - | 23,25 | 23,13 | 22,47 | 19,86 | 16,11 | 11,97 |
| | 30 | Q _o | - | 141,71 | 116,60 | 95,00 | 60,72 | 36,19 | 19,28 |
| | | P _e | - | 29,28 | 28,08 | 26,40 | 22,05 | 16,95 | 11,85 |
| | 40 | Q _o | - | 119,72 | 98,04 | 79,39 | 49,85 | 28,83 | 14,49 |
| | | P _e | - | 34,44 | 32,16 | 29,55 | 23,58 | 17,28 | 11,31 |
| | 50 | Q _o | - | 97,32 | 79,25 | 63,68 | 39,07 | 21,67 | 9,97 |
| | | P _e | - | 38,64 | 35,37 | 31,83 | 24,42 | 17,01 | 10,26 |
| AZ-BK-3x4PES-15Y | 20 | Q _o | - | 164,56 | 135,93 | 111,28 | 72,06 | 43,79 | 24,06 |
| | | P _e | - | 23,70 | 23,55 | 22,83 | 20,13 | 16,26 | 12,06 |
| | 30 | Q _o | 170,97 | 141,77 | 116,60 | 94,94 | 60,56 | 35,96 | 18,99 |
| | | P _e | 29,94 | 29,25 | 28,02 | 26,34 | 21,96 | 16,86 | 11,79 |
| | 40 | Q _o | 144,48 | 119,33 | 97,63 | 78,98 | 49,46 | 28,51 | 14,25 |
| | | P _e | 35,85 | 34,08 | 31,86 | 29,28 | 23,37 | 17,16 | 11,34 |
| | 50 | Q _o | 118,03 | 97,07 | 78,95 | 63,38 | 38,81 | 21,52 | 9,95 |
| | | P _e | 40,95 | 38,16 | 35,01 | 31,59 | 24,33 | 17,13 | 10,68 |
| AZ-BK-3x4NES-14Y | 20 | Q _o | - | 189,85 | 157,04 | 128,84 | 84,07 | 51,91 | 29,57 |
| | | P _e | - | 27,06 | 27,03 | 26,34 | 23,49 | 19,32 | 14,61 |
| | 30 | Q _o | - | 166,27 | 137,18 | 112,16 | 72,43 | 43,96 | 24,29 |
| | | P _e | - | 34,77 | 33,45 | 31,62 | 26,73 | 20,94 | 15,00 |
| | 40 | Q _o | - | 141,54 | 116,38 | 94,70 | 60,31 | 35,74 | 18,87 |
| | | P _e | - | 41,22 | 38,73 | 35,79 | 29,01 | 21,69 | 14,64 |
| | 50 | Q _o | - | 115,64 | 94,67 | 76,57 | 47,85 | 27,42 | 13,52 |
| | | P _e | - | 46,38 | 42,78 | 38,79 | 30,24 | 21,51 | 13,47 |
| AZ-BK-3x4NES-20Y | 20 | Q _o | - | 193,28 | 160,03 | 131,39 | 85,79 | 52,88 | 29,86 |
| | | P _e | - | 27,69 | 27,57 | 26,82 | 23,82 | 19,56 | 14,88 |
| | 30 | Q _o | 201,15 | 167,24 | 138,00 | 112,83 | 72,83 | 44,14 | 24,29 |
| | | P _e | 35,04 | 34,35 | 33,00 | 31,14 | 26,28 | 20,58 | 14,97 |
| | 40 | Q _o | 170,82 | 141,61 | 116,39 | 94,70 | 60,31 | 35,81 | 19,06 |
| | | P _e | 42,18 | 40,26 | 37,80 | 34,92 | 28,35 | 21,42 | 15,00 |
| | 50 | Q _o | 140,48 | 116,12 | 95,04 | 76,91 | 48,23 | 27,93 | 14,22 |
| | | P _e | 48,57 | 45,48 | 41,97 | 38,16 | 30,09 | 22,08 | 15,06 |

Additional fan cooling required for compressor heads. Compressor operating range p. 8.

► COOLING CAPACITY AND POWER CONSUMPTION FOR R404A

| TYPE | t _c | Q _o COOLING CAPACITY [kW] | | | | | | | |
|-----------------|----------------|--|------------------------------|--------|--------|--------|--------|-------|-------|
| | | ▼ P _e POWER CONSUMPTION [kW] | EVAPORATION TEMPERATURE [°C] | | | | | | |
| | | | 5 | 0 | -5 | -10 | -20 | -30 | -40 |
| AZ-BK-3x4JE-15Y | 20 | Q _o | - | 213,80 | 178,26 | 147,48 | 97,99 | 61,59 | 35,41 |
| | | P _e | - | 31,05 | 30,90 | 30,18 | 27,27 | 22,92 | 17,85 |
| | 30 | Q _o | - | 187,23 | 155,77 | 128,49 | 84,58 | 52,31 | 29,20 |
| | | P _e | - | 39,15 | 37,68 | 35,73 | 30,66 | 24,63 | 18,30 |
| | 40 | Q _o | - | 160,26 | 132,93 | 109,20 | 70,96 | 42,91 | 22,94 |
| | | P _e | - | 46,20 | 43,50 | 40,38 | 33,30 | 25,68 | 18,18 |
| | 50 | Q _o | - | 132,56 | 109,55 | 89,52 | 57,23 | 33,60 | 16,91 |
| | | P _e | - | 52,20 | 48,30 | 44,07 | 35,10 | 26,01 | 17,46 |
| AZ-BK-3x4JE-22Y | 20 | Q _o | - | 211,73 | 176,22 | 145,49 | 96,09 | 59,80 | 33,74 |
| | | P _e | - | 30,33 | 30,18 | 29,43 | 26,49 | 22,17 | 17,10 |
| | 30 | Q _o | 221,02 | 184,80 | 153,38 | 126,15 | 82,35 | 50,21 | 27,26 |
| | | P _e | 39,06 | 38,16 | 36,69 | 34,71 | 29,67 | 23,64 | 17,31 |
| | 40 | Q _o | 188,88 | 157,51 | 130,22 | 106,53 | 68,43 | 40,55 | 20,78 |
| | | P _e | 47,13 | 44,88 | 42,15 | 39,06 | 32,01 | 24,42 | 16,86 |
| | 50 | Q _o | 155,84 | 129,53 | 106,57 | 86,60 | 54,46 | 31,04 | 14,58 |
| | | P _e | 54,00 | 50,46 | 46,59 | 42,39 | 33,48 | 24,39 | 15,72 |
| AZ-BK-3x4HE-18Y | 20 | Q _o | - | 248,40 | 207,23 | 171,59 | 114,26 | 72,10 | 41,79 |
| | | P _e | - | 37,26 | 36,93 | 35,91 | 32,19 | 26,91 | 20,88 |
| | 30 | Q _o | - | 218,03 | 181,59 | 150,00 | 99,15 | 61,79 | 35,03 |
| | | P _e | - | 46,98 | 45,06 | 42,60 | 36,36 | 29,13 | 21,63 |
| | 40 | Q _o | - | 186,74 | 155,19 | 127,79 | 83,64 | 51,25 | 28,17 |
| | | P _e | - | 55,50 | 52,08 | 48,24 | 39,69 | 30,60 | 21,84 |
| | 50 | Q _o | - | 154,32 | 127,93 | 104,94 | 67,86 | 40,70 | 21,50 |
| | | P _e | - | 62,70 | 57,96 | 52,83 | 42,09 | 31,32 | 21,42 |
| AZ-BK-3x4HE-25Y | 20 | Q _o | - | 246,81 | 205,67 | 170,05 | 112,79 | 70,72 | 40,49 |
| | | P _e | - | 36,39 | 36,06 | 35,07 | 31,47 | 26,37 | 20,43 |
| | 30 | Q _o | 258,11 | 216,15 | 179,75 | 148,20 | 97,43 | 60,17 | 33,53 |
| | | P _e | 46,65 | 45,45 | 43,65 | 41,28 | 35,34 | 28,32 | 21,00 |
| | 40 | Q _o | 220,84 | 184,61 | 153,10 | 125,74 | 81,69 | 49,42 | 26,48 |
| | | P _e | 55,89 | 53,22 | 50,04 | 46,41 | 38,28 | 29,55 | 20,97 |
| | 50 | Q _o | 182,19 | 152,00 | 125,64 | 102,70 | 65,73 | 38,72 | 19,67 |
| | | P _e | 63,60 | 59,67 | 55,23 | 50,46 | 40,32 | 30,00 | 20,28 |
| AZ-BK-3x4GE-23Y | 20 | Q _o | - | 285,65 | 238,45 | 197,59 | 131,89 | 83,58 | 48,86 |
| | | P _e | - | 44,49 | 43,86 | 42,48 | 37,80 | 31,41 | 24,27 |
| | 30 | Q _o | - | 251,35 | 209,58 | 173,37 | 115,09 | 72,29 | 41,65 |
| | | P _e | - | 56,16 | 53,64 | 50,52 | 42,90 | 34,23 | 25,44 |
| | 40 | Q _o | - | 215,37 | 179,33 | 148,03 | 97,61 | 60,62 | 34,28 |
| | | P _e | - | 66,30 | 62,10 | 57,39 | 47,04 | 36,27 | 26,04 |
| | 50 | Q _o | - | 177,78 | 147,83 | 121,76 | 79,68 | 48,86 | 27,04 |
| | | P _e | - | 75,30 | 69,30 | 63,00 | 50,16 | 37,50 | 26,04 |
| AZ-BK-3x4GE-30Y | 20 | Q _o | - | 282,93 | 235,77 | 194,96 | 129,37 | 81,19 | 46,62 |
| | | P _e | - | 42,66 | 42,03 | 40,71 | 36,30 | 30,24 | 23,34 |
| | 30 | Q _o | 296,19 | 248,12 | 206,42 | 170,27 | 112,14 | 69,50 | 39,05 |
| | | P _e | 54,57 | 52,98 | 50,70 | 47,82 | 40,80 | 32,64 | 24,18 |
| | 40 | Q _o | 253,09 | 211,74 | 175,76 | 144,53 | 94,28 | 57,48 | 31,35 |
| | | P _e | 64,80 | 61,80 | 57,90 | 53,67 | 44,25 | 34,20 | 24,39 |
| | 50 | Q _o | 208,06 | 173,83 | 143,94 | 117,94 | 76,04 | 45,44 | 23,86 |
| | | P _e | 73,50 | 68,70 | 63,60 | 58,26 | 46,68 | 34,92 | 23,88 |

Additional fan cooling required for compressor heads. Compressor operating range p. 8.

COOLING CAPACITY AND POWER CONSUMPTION FOR R404A

| TYPE | t _c | Q _o COOLING CAPACITY [kW] | | | | | | | |
|-----------------|----------------|---------------------------------------|--------|--------|--------|--------|--------|--------|-------|
| | | P _e POWER CONSUMPTION [kW] | | | | | | | |
| | | EVAPORATION TEMPERATURE [°C] | | | | | | | |
| | | | 5 | 0 | -5 | -10 | -20 | -30 | -40 |
| AZ-BK-3x4FE-28Y | 20 | Q _o | - | 337,92 | 282,06 | 233,75 | 156,25 | 99,51 | 59,03 |
| | | P _e | - | 53,46 | 52,74 | 51,06 | 45,48 | 37,86 | 29,37 |
| | 30 | Q _o | - | 296,18 | 247,27 | 204,85 | 136,52 | 86,23 | 50,13 |
| | | P _e | - | 66,30 | 63,90 | 60,30 | 51,60 | 41,31 | 30,63 |
| | 40 | Q _o | - | 253,14 | 211,42 | 175,08 | 116,20 | 72,54 | 40,87 |
| | | P _e | - | 78,00 | 73,50 | 68,40 | 56,49 | 43,62 | 30,93 |
| | 50 | Q _o | - | 208,71 | 174,43 | 144,38 | 95,31 | 58,47 | 31,32 |
| | | P _e | - | 87,90 | 81,60 | 74,70 | 60,00 | 44,73 | 30,12 |
| AZ-BK-3x4FE-35Y | 20 | Q _o | - | 336,78 | 280,94 | 232,65 | 155,19 | 98,51 | 58,07 |
| | | P _e | - | 52,50 | 51,78 | 50,10 | 44,58 | 37,05 | 28,65 |
| | 30 | Q _o | 351,17 | 294,85 | 245,96 | 203,57 | 135,28 | 85,06 | 49,03 |
| | | P _e | 66,90 | 65,10 | 62,40 | 59,13 | 50,49 | 40,32 | 29,76 |
| | 40 | Q _o | 299,43 | 251,62 | 209,92 | 173,61 | 114,80 | 71,21 | 39,64 |
| | | P _e | 79,80 | 76,20 | 72,00 | 66,90 | 55,14 | 42,45 | 29,91 |
| | 50 | Q _o | 246,03 | 207,02 | 172,77 | 142,76 | 93,77 | 57,02 | 29,99 |
| | | P _e | 91,20 | 85,80 | 79,50 | 72,90 | 58,38 | 43,35 | 28,89 |
| AZ-BK-3x6HE-28Y | 20 | Q _o | - | 365,76 | 305,23 | 252,84 | 168,62 | 106,76 | 62,35 |
| | | P _e | - | 55,38 | 54,81 | 53,22 | 47,43 | 39,36 | 30,30 |
| | 30 | Q _o | - | 320,01 | 266,61 | 220,32 | 145,82 | 91,11 | 51,95 |
| | | P _e | - | 68,70 | 66,30 | 62,70 | 53,49 | 42,63 | 31,38 |
| | 40 | Q _o | - | 274,04 | 227,84 | 187,70 | 123,01 | 75,51 | 41,64 |
| | | P _e | - | 81,00 | 76,50 | 70,80 | 58,47 | 44,91 | 31,53 |
| | 50 | Q _o | - | 227,07 | 188,30 | 154,52 | 99,95 | 59,90 | 31,48 |
| | | P _e | - | 91,80 | 85,20 | 77,70 | 62,10 | 45,96 | 30,54 |
| AZ-BK-3x6HE-35Y | 20 | Q _o | - | 363,38 | 302,89 | 250,54 | 166,42 | 104,67 | 60,40 |
| | | P _e | - | 54,36 | 53,82 | 52,26 | 46,74 | 39,00 | 30,27 |
| | 30 | Q _o | 378,68 | 317,20 | 263,86 | 217,62 | 143,25 | 88,68 | 49,68 |
| | | P _e | 68,70 | 67,20 | 64,50 | 61,20 | 52,56 | 42,18 | 31,32 |
| | 40 | Q _o | 323,88 | 270,85 | 224,71 | 184,64 | 120,09 | 72,77 | 39,09 |
| | | P _e | 81,90 | 78,60 | 74,10 | 69,00 | 57,36 | 44,43 | 31,47 |
| | 50 | Q _o | 267,87 | 223,58 | 184,88 | 151,17 | 96,78 | 56,93 | 28,71 |
| | | P _e | 93,60 | 88,20 | 82,20 | 75,60 | 60,90 | 45,42 | 30,33 |
| AZ-BK-3x6GE-34Y | 20 | Q _o | - | 422,28 | 352,84 | 292,77 | 196,32 | 125,61 | 75,04 |
| | | P _e | - | 67,80 | 66,30 | 63,90 | 56,70 | 47,13 | 36,72 |
| | 30 | Q _o | - | 368,69 | 308,09 | 255,53 | 170,86 | 108,56 | 63,84 |
| | | P _e | - | 83,10 | 79,50 | 75,00 | 64,20 | 51,63 | 38,94 |
| | 40 | Q _o | - | 315,65 | 263,78 | 218,66 | 145,69 | 91,79 | 52,97 |
| | | P _e | - | 97,80 | 92,10 | 85,50 | 70,80 | 55,38 | 40,38 |
| | 50 | Q _o | - | 261,56 | 218,54 | 180,93 | 119,85 | 74,52 | 41,80 |
| | | P _e | - | 111,60 | 103,50 | 94,80 | 76,50 | 57,99 | 40,62 |
| AZ-BK-3x6GE-40Y | 20 | Q _o | - | 416,30 | 346,84 | 286,79 | 190,48 | 120,05 | 69,85 |
| | | P _e | - | 65,40 | 64,20 | 61,80 | 55,02 | 45,90 | 35,79 |
| | 30 | Q _o | 431,04 | 361,33 | 300,84 | 248,41 | 164,05 | 102,13 | 57,85 |
| | | P _e | 81,00 | 78,90 | 75,60 | 71,40 | 61,20 | 49,53 | 37,23 |
| | 40 | Q _o | 366,55 | 307,22 | 255,54 | 210,60 | 138,04 | 84,57 | 46,23 |
| | | P _e | 95,40 | 91,20 | 86,10 | 80,10 | 66,90 | 52,23 | 37,65 |
| | 50 | Q _o | 301,28 | 252,38 | 209,56 | 172,17 | 111,53 | 66,68 | 34,46 |
| | | P _e | 108,30 | 102,30 | 95,10 | 87,60 | 70,80 | 53,52 | 36,51 |

Additional fan cooling required for compressor heads. Compressor operating range p. 8.

► COOLING CAPACITY AND POWER CONSUMPTION FOR R404A

| TYPE | t _c | Q _o COOLING CAPACITY [kW] | | | | | | | |
|-----------------|----------------|---------------------------------------|--------|--------|--------|--------|--------|--------|-------|
| | | P _e POWER CONSUMPTION [kW] | | | | | | | |
| | | EVAPORATION TEMPERATURE [°C] | | | | | | | |
| | | | 5 | 0 | -5 | -10 | -20 | -30 | -40 |
| AZ-BK-3x6FE-44Y | 20 | Q _o | - | 506,88 | 423,09 | 350,63 | 234,37 | 149,27 | 88,54 |
| | | P _e | - | 81,60 | 80,40 | 78,00 | 69,90 | 58,74 | 46,26 |
| | 30 | Q _o | - | 444,27 | 370,91 | 307,28 | 204,78 | 129,35 | 75,19 |
| | | P _e | - | 100,20 | 96,60 | 91,50 | 78,90 | 63,90 | 48,15 |
| | 40 | Q _o | - | 379,71 | 317,13 | 262,61 | 174,30 | 108,80 | 61,31 |
| | | P _e | - | 117,00 | 110,40 | 102,90 | 85,80 | 67,20 | 48,57 |
| 50 | Q _o | - | 313,06 | 261,64 | 216,58 | 142,97 | 87,71 | 46,99 | |
| | P _e | - | 131,10 | 122,10 | 112,20 | 90,90 | 68,70 | 47,40 | |
| AZ-BK-3x6FE-50Y | 20 | Q _o | - | 502,54 | 418,82 | 346,44 | 230,36 | 145,46 | 84,95 |
| | | P _e | - | 79,80 | 78,60 | 76,20 | 67,80 | 56,70 | 44,16 |
| | 30 | Q _o | 523,64 | 439,21 | 365,93 | 302,39 | 200,10 | 124,91 | 71,03 |
| | | P _e | 100,20 | 97,80 | 93,90 | 88,80 | 76,20 | 61,20 | 45,42 |
| | 40 | Q _o | 445,59 | 373,94 | 311,45 | 257,05 | 168,99 | 103,78 | 56,64 |
| | | P _e | 118,80 | 113,40 | 107,10 | 99,60 | 82,50 | 63,60 | 45,00 |
| 50 | Q _o | 365,14 | 306,68 | 255,37 | 210,43 | 137,10 | 82,19 | 41,91 | |
| | P _e | 134,40 | 126,30 | 117,60 | 107,70 | 86,40 | 64,20 | 42,72 | |
| AZ-BK-4x2GES-2Y | 20 | Q _o | - | 32,35 | 26,94 | 22,25 | 14,71 | 9,17 | 5,19 |
| | | P _e | - | 5,36 | 5,36 | 5,28 | 4,88 | 4,20 | 3,28 |
| | 30 | Q _o | 32,91 | 27,56 | 22,91 | 18,88 | 12,37 | 7,57 | 4,11 |
| | | P _e | 6,68 | 6,60 | 6,40 | 6,12 | 5,36 | 4,40 | 3,24 |
| | 40 | Q _o | 27,64 | 23,12 | 19,17 | 15,74 | 10,18 | 6,06 | 3,10 |
| | | P _e | 8,00 | 7,72 | 7,32 | 6,88 | 5,80 | 4,52 | 3,16 |
| 50 | Q _o | 22,58 | 18,84 | 15,57 | 12,71 | 8,07 | 4,64 | 2,16 | |
| | P _e | 9,32 | 8,80 | 8,20 | 7,60 | 6,16 | 4,64 | 3,04 | |
| AZ-BK-4x2FES-2Y | 20 | Q _o | - | 41,14 | 34,22 | 28,23 | 18,60 | 11,53 | 6,45 |
| | | P _e | - | 6,68 | 6,76 | 6,72 | 6,16 | 5,20 | 4,00 |
| | 30 | Q _o | - | 34,78 | 28,87 | 23,74 | 15,48 | 9,39 | 5,01 |
| | | P _e | - | 8,08 | 7,92 | 7,64 | 6,68 | 5,40 | 3,92 |
| | 40 | Q _o | - | 28,78 | 23,84 | 19,54 | 12,58 | 7,44 | 3,72 |
| | | P _e | - | 9,48 | 9,08 | 8,52 | 7,16 | 5,56 | 3,88 |
| 50 | Q _o | - | 23,08 | 19,08 | 15,59 | 9,90 | 5,67 | 2,60 | |
| | P _e | - | 10,88 | 10,20 | 9,44 | 7,68 | 5,76 | 3,88 | |
| AZ-BK-4x2FES-3Y | 20 | Q _o | - | 40,93 | 34,04 | 28,07 | 18,49 | 11,45 | 6,42 |
| | | P _e | - | 6,48 | 6,48 | 6,40 | 5,88 | 5,08 | 4,00 |
| | 30 | Q _o | 41,30 | 34,54 | 28,68 | 23,59 | 15,38 | 9,34 | 4,99 |
| | | P _e | 8,12 | 8,00 | 7,80 | 7,44 | 6,52 | 5,36 | 4,00 |
| | 40 | Q _o | 34,25 | 28,62 | 23,72 | 19,45 | 12,54 | 7,42 | 3,72 |
| | | P _e | 9,84 | 9,48 | 9,00 | 8,40 | 7,08 | 5,52 | 3,84 |
| 50 | Q _o | 27,57 | 23,02 | 19,03 | 15,54 | 9,87 | 5,64 | 2,57 | |
| | P _e | 11,52 | 10,88 | 10,12 | 9,32 | 7,52 | 5,60 | 3,64 | |
| AZ-BK-4x2EES-2Y | 20 | Q _o | - | 50,00 | 41,60 | 34,32 | 22,60 | 13,98 | 7,76 |
| | | P _e | - | 7,40 | 7,36 | 7,20 | 6,52 | 5,44 | 4,16 |
| | 30 | Q _o | - | 43,68 | 36,30 | 29,89 | 19,54 | 11,90 | 6,38 |
| | | P _e | - | 9,48 | 9,12 | 8,64 | 7,40 | 5,88 | 4,28 |
| | 40 | Q _o | - | 37,02 | 30,69 | 25,18 | 16,27 | 9,66 | 4,90 |
| | | P _e | - | 11,24 | 10,56 | 9,80 | 8,04 | 6,12 | 4,16 |
| 50 | Q _o | - | 29,96 | 24,74 | 20,18 | 12,77 | 7,28 | 3,32 | |
| | P _e | - | 12,64 | 11,64 | 10,60 | 8,36 | 6,04 | 3,80 | |

Additional fan cooling required for compressor heads. Compressor operating range p. 8.

► COOLING CAPACITY AND POWER CONSUMPTION FOR R404A

| TYPE | t _c | Q _o COOLING CAPACITY [kW] | | | | | | | |
|-----------------|----------------|---------------------------------------|------------------------------|-------|-------|-------|-------|-------|-------|
| | | P _e POWER CONSUMPTION [kW] | EVAPORATION TEMPERATURE [°C] | | | | | | |
| | | | 5 | 0 | -5 | -10 | -20 | -30 | -40 |
| AZ-BK-4x2EES-3Y | 20 | Q _o | - | 50,00 | 41,60 | 34,32 | 22,60 | 13,98 | 7,76 |
| | | P _e | - | 7,44 | 7,44 | 7,28 | 6,60 | 5,56 | 4,32 |
| | 30 | Q _o | 52,17 | 43,68 | 36,30 | 29,89 | 19,54 | 11,90 | 6,38 |
| | | P _e | 9,60 | 9,44 | 9,08 | 8,64 | 7,48 | 6,00 | 4,44 |
| | 40 | Q _o | 44,28 | 37,02 | 30,69 | 25,18 | 16,27 | 9,66 | 4,90 |
| | | P _e | 11,56 | 11,04 | 10,44 | 9,72 | 8,08 | 6,20 | 4,32 |
| | 50 | Q _o | 35,92 | 29,96 | 24,74 | 20,18 | 12,77 | 7,28 | 3,32 |
| | | P _e | 13,08 | 12,32 | 11,44 | 10,48 | 8,36 | 6,16 | 3,96 |
| AZ-BK-4x2DES-2Y | 20 | Q _o | - | 59,36 | 49,43 | 40,84 | 26,99 | 16,78 | 9,41 |
| | | P _e | - | 8,92 | 8,88 | 8,72 | 7,88 | 6,60 | 5,08 |
| | 30 | Q _o | - | 51,96 | 43,23 | 35,66 | 23,42 | 14,38 | 7,83 |
| | | P _e | - | 11,48 | 11,04 | 10,48 | 9,00 | 7,20 | 5,24 |
| | 40 | Q _o | - | 44,15 | 36,67 | 30,15 | 19,60 | 11,77 | 6,10 |
| | | P _e | - | 13,68 | 12,88 | 11,92 | 9,84 | 7,52 | 5,20 |
| | 50 | Q _o | - | 35,84 | 29,66 | 24,26 | 15,49 | 8,98 | 4,26 |
| | | P _e | - | 15,48 | 14,28 | 13,00 | 10,32 | 7,52 | 4,88 |
| AZ-BK-4x2DES-3Y | 20 | Q _o | - | 59,36 | 49,43 | 40,84 | 26,99 | 16,78 | 9,41 |
| | | P _e | - | 8,80 | 8,80 | 8,60 | 7,84 | 6,60 | 5,12 |
| | 30 | Q _o | 61,99 | 51,96 | 43,23 | 35,66 | 23,42 | 14,38 | 7,83 |
| | | P _e | 11,48 | 11,24 | 10,84 | 10,32 | 8,88 | 7,16 | 5,32 |
| | 40 | Q _o | 52,72 | 44,15 | 36,67 | 30,15 | 19,60 | 11,77 | 6,10 |
| | | P _e | 13,88 | 13,28 | 12,52 | 11,68 | 9,68 | 7,48 | 5,24 |
| | 50 | Q _o | 42,89 | 35,84 | 29,66 | 24,26 | 15,49 | 8,98 | 4,26 |
| | | P _e | 15,88 | 14,92 | 13,84 | 12,68 | 10,12 | 7,52 | 4,96 |
| AZ-BK-4x2CES-3Y | 20 | Q _o | - | 72,38 | 60,37 | 49,96 | 33,20 | 20,82 | 11,85 |
| | | P _e | - | 10,76 | 10,76 | 10,56 | 9,60 | 8,08 | 6,32 |
| | 30 | Q _o | - | 63,55 | 52,98 | 43,81 | 28,98 | 18,00 | 10,01 |
| | | P _e | - | 13,88 | 13,40 | 12,76 | 11,00 | 8,92 | 6,64 |
| | 40 | Q _o | - | 54,20 | 45,14 | 37,24 | 24,43 | 14,91 | 7,99 |
| | | P _e | - | 16,60 | 15,68 | 14,60 | 12,12 | 9,44 | 6,76 |
| | 50 | Q _o | - | 44,22 | 36,73 | 30,18 | 19,51 | 11,56 | 5,80 |
| | | P _e | - | 18,92 | 17,52 | 16,04 | 12,88 | 9,64 | 6,56 |
| AZ-BK-4x2CES-4Y | 20 | Q _o | - | 72,38 | 60,37 | 49,96 | 33,20 | 20,82 | 11,85 |
| | | P _e | - | 10,68 | 10,72 | 10,48 | 9,56 | 8,12 | 6,36 |
| | 30 | Q _o | 75,70 | 63,55 | 52,98 | 43,81 | 28,98 | 18,00 | 10,01 |
| | | P _e | 13,96 | 13,68 | 13,24 | 12,60 | 10,96 | 8,92 | 6,72 |
| | 40 | Q _o | 64,59 | 54,20 | 45,14 | 37,24 | 24,43 | 14,91 | 7,99 |
| | | P _e | 16,96 | 16,24 | 15,36 | 14,36 | 12,00 | 9,40 | 6,80 |
| | 50 | Q _o | 52,77 | 44,22 | 36,73 | 30,18 | 19,51 | 11,56 | 5,80 |
| | | P _e | 19,44 | 18,32 | 17,08 | 15,68 | 12,72 | 9,60 | 6,60 |
| AZ-BK-4x4FES-3Y | 20 | Q _o | - | 80,06 | 66,08 | 54,10 | 35,22 | 21,81 | 12,62 |
| | | P _e | - | 11,44 | 11,52 | 11,36 | 10,36 | 8,80 | 6,92 |
| | 30 | Q _o | - | 70,04 | 57,85 | 47,38 | 30,82 | 19,01 | 10,88 |
| | | P _e | - | 14,84 | 14,44 | 13,80 | 12,04 | 9,76 | 7,36 |
| | 40 | Q _o | - | 59,36 | 49,06 | 40,17 | 26,06 | 15,95 | 8,98 |
| | | P _e | - | 17,76 | 16,92 | 15,84 | 13,32 | 10,44 | 7,56 |
| | 50 | Q _o | - | 48,11 | 39,78 | 32,55 | 21,01 | 12,70 | 6,94 |
| | | P _e | - | 20,12 | 18,84 | 17,40 | 14,16 | 10,72 | 7,40 |

Additional fan cooling required for compressor heads. Compressor operating range p. 8.

► COOLING CAPACITY AND POWER CONSUMPTION FOR R404A

| TYPE | t _c | Q _o COOLING CAPACITY [kW] | | | | | | | |
|-----------------|----------------|--|------------------------------|--------|--------|-------|-------|-------|-------|
| | | ▼ P _e POWER CONSUMPTION [kW] | EVAPORATION TEMPERATURE [°C] | | | | | | |
| | | | 5 | 0 | -5 | -10 | -20 | -30 | -40 |
| AZ-BK-4x4FES-5Y | 20 | Q _o | - | 80,08 | 66,10 | 54,12 | 35,24 | 21,82 | 12,62 |
| | | P _e | - | 11,40 | 11,48 | 11,32 | 10,36 | 8,84 | 7,00 |
| | 30 | Q _o | 84,19 | 70,03 | 57,84 | 47,38 | 30,82 | 19,01 | 10,88 |
| | | P _e | 14,76 | 14,64 | 14,24 | 13,64 | 11,96 | 9,80 | 7,44 |
| | 40 | Q _o | 71,22 | 59,32 | 49,03 | 40,16 | 26,06 | 15,95 | 8,98 |
| | | P _e | 17,92 | 17,36 | 16,56 | 15,56 | 13,16 | 10,44 | 7,64 |
| | 50 | Q _o | 57,61 | 48,05 | 39,74 | 32,54 | 21,02 | 12,70 | 6,93 |
| | | P _e | 20,48 | 19,52 | 18,32 | 17,00 | 13,96 | 10,72 | 7,48 |
| AZ-BK-4x4EES-4Y | 20 | Q _o | - | 101,13 | 83,69 | 68,72 | 44,98 | 27,98 | 16,19 |
| | | P _e | - | 14,60 | 14,68 | 14,44 | 13,12 | 11,00 | 8,52 |
| | 30 | Q _o | - | 88,48 | 73,20 | 60,06 | 39,18 | 24,20 | 13,82 |
| | | P _e | - | 19,00 | 18,44 | 17,60 | 15,20 | 12,20 | 9,04 |
| | 40 | Q _o | - | 75,23 | 62,21 | 50,98 | 33,08 | 20,22 | 11,31 |
| | | P _e | - | 22,84 | 21,68 | 20,24 | 16,80 | 13,00 | 9,24 |
| | 50 | Q _o | - | 61,43 | 50,77 | 41,52 | 26,74 | 16,08 | 8,69 |
| | | P _e | - | 26,08 | 24,28 | 22,32 | 17,96 | 13,40 | 9,08 |
| AZ-BK-4x4EES-6Y | 20 | Q _o | - | 100,67 | 83,24 | 68,26 | 44,54 | 27,55 | 15,80 |
| | | P _e | - | 14,48 | 14,56 | 14,32 | 13,00 | 10,96 | 8,52 |
| | 30 | Q _o | 105,66 | 87,94 | 72,66 | 59,51 | 38,65 | 23,71 | 13,38 |
| | | P _e | 18,80 | 18,60 | 18,04 | 17,20 | 14,88 | 12,00 | 8,92 |
| | 40 | Q _o | 89,64 | 74,58 | 61,57 | 50,34 | 32,48 | 19,67 | 10,82 |
| | | P _e | 22,88 | 22,08 | 20,96 | 19,60 | 16,32 | 12,68 | 9,00 |
| | 50 | Q _o | 72,95 | 60,69 | 50,04 | 40,81 | 26,08 | 15,49 | 8,17 |
| | | P _e | 26,28 | 24,88 | 23,24 | 21,40 | 17,28 | 12,92 | 8,72 |
| AZ-BK-4x4DES-5Y | 20 | Q _o | - | 119,75 | 99,38 | 81,84 | 53,90 | 33,70 | 19,56 |
| | | P _e | - | 17,52 | 17,60 | 17,32 | 15,72 | 13,20 | 10,28 |
| | 30 | Q _o | - | 104,89 | 86,93 | 71,45 | 46,78 | 28,98 | 16,56 |
| | | P _e | - | 22,56 | 21,88 | 20,88 | 18,04 | 14,52 | 10,80 |
| | 40 | Q _o | - | 89,60 | 74,13 | 60,77 | 39,47 | 24,14 | 13,50 |
| | | P _e | - | 26,96 | 25,60 | 23,88 | 19,88 | 15,44 | 11,04 |
| | 50 | Q _o | - | 73,76 | 60,89 | 49,75 | 31,98 | 19,22 | 10,42 |
| | | P _e | - | 30,76 | 28,68 | 26,36 | 21,24 | 15,96 | 10,96 |
| AZ-BK-4x4DES-7Y | 20 | Q _o | - | 119,82 | 99,43 | 81,87 | 53,90 | 33,70 | 19,55 |
| | | P _e | - | 17,40 | 17,48 | 17,20 | 15,68 | 13,24 | 10,40 |
| | 30 | Q _o | 125,74 | 104,94 | 86,96 | 71,47 | 46,79 | 28,98 | 16,56 |
| | | P _e | 22,40 | 22,16 | 21,56 | 20,60 | 17,88 | 14,52 | 10,92 |
| | 40 | Q _o | 107,50 | 89,62 | 74,14 | 60,78 | 39,48 | 24,14 | 13,50 |
| | | P _e | 27,24 | 26,28 | 25,00 | 23,40 | 19,64 | 15,40 | 11,16 |
| | 50 | Q _o | 88,55 | 73,74 | 60,87 | 49,74 | 31,98 | 19,22 | 10,42 |
| | | P _e | 31,32 | 29,72 | 27,84 | 25,68 | 20,92 | 15,92 | 11,08 |
| AZ-BK-4x4CES-6Y | 20 | Q _o | - | 145,14 | 120,74 | 99,67 | 65,93 | 41,32 | 23,87 |
| | | P _e | - | 21,44 | 21,56 | 21,12 | 19,08 | 15,92 | 12,28 |
| | 30 | Q _o | - | 126,94 | 105,26 | 86,54 | 56,62 | 34,94 | 19,72 |
| | | P _e | - | 27,28 | 26,44 | 25,16 | 21,60 | 17,24 | 12,68 |
| | 40 | Q _o | - | 108,59 | 89,71 | 73,41 | 47,42 | 28,71 | 15,74 |
| | | P _e | - | 32,40 | 30,64 | 28,56 | 23,60 | 18,16 | 12,84 |
| | 50 | Q _o | - | 90,00 | 74,08 | 60,32 | 38,42 | 22,77 | 12,05 |
| | | P _e | - | 36,76 | 34,20 | 31,32 | 25,08 | 18,68 | 12,68 |

Additional fan cooling required for compressor heads. Compressor operating range p. 8.

► COOLING CAPACITY AND POWER CONSUMPTION FOR R404A

| TYPE | t _c | Q _o COOLING CAPACITY [kW] | | | | | | | |
|------------------|----------------|---------------------------------------|------------------------------|--------|--------|--------|-------|-------|-------|
| | | P _e POWER CONSUMPTION [kW] | EVAPORATION TEMPERATURE [°C] | | | | | | |
| | | | 5 | 0 | -5 | -10 | -20 | -30 | -40 |
| AZ-BK-4x4CES-9Y | 20 | Q _o | - | 145,14 | 120,74 | 99,67 | 65,93 | 41,32 | 23,87 |
| | | P _e | - | 21,44 | 21,56 | 21,12 | 19,08 | 15,92 | 12,28 |
| | 30 | Q _o | 152,00 | 126,94 | 105,26 | 86,54 | 56,62 | 34,94 | 19,72 |
| | | P _e | 27,64 | 27,28 | 26,44 | 25,16 | 21,60 | 17,24 | 12,68 |
| | 40 | Q _o | 130,40 | 108,59 | 89,71 | 73,41 | 47,42 | 28,71 | 15,74 |
| | | P _e | 33,68 | 32,40 | 30,64 | 28,56 | 23,60 | 18,16 | 12,84 |
| | 50 | Q _o | 108,36 | 90,00 | 74,08 | 60,32 | 38,42 | 22,77 | 12,05 |
| | | P _e | 39,00 | 36,76 | 34,20 | 31,32 | 25,08 | 18,68 | 12,68 |
| AZ-BK-4x4BES-9Y | 20 | Q _o | - | 159,60 | 132,80 | 109,60 | 72,52 | 45,40 | 26,20 |
| | | P _e | - | 23,84 | 23,96 | 23,52 | 21,24 | 17,72 | 13,68 |
| | 30 | Q _o | - | 139,60 | 115,60 | 95,20 | 62,24 | 38,36 | 21,60 |
| | | P _e | - | 30,36 | 29,40 | 28,00 | 24,04 | 19,16 | 14,12 |
| | 40 | Q _o | - | 119,60 | 98,80 | 80,80 | 52,08 | 31,48 | 17,20 |
| | | P _e | - | 36,04 | 34,08 | 31,76 | 26,24 | 20,20 | 14,28 |
| | 50 | Q _o | - | 98,80 | 81,20 | 66,24 | 42,16 | 24,96 | 13,16 |
| | | P _e | - | 40,88 | 38,04 | 34,84 | 27,92 | 20,76 | 14,12 |
| AZ-BK-4x4VES-7Y | 20 | Q _o | - | 158,49 | 131,08 | 107,46 | 69,78 | 42,54 | 23,43 |
| | | P _e | - | 23,44 | 23,24 | 22,52 | 19,72 | 15,84 | 11,68 |
| | 30 | Q _o | - | 135,89 | 112,00 | 91,41 | 58,63 | 35,02 | 18,61 |
| | | P _e | - | 28,96 | 27,64 | 25,88 | 21,44 | 16,40 | 11,44 |
| | 40 | Q _o | - | 114,42 | 93,90 | 76,22 | 48,09 | 27,95 | 14,10 |
| | | P _e | - | 34,08 | 31,68 | 28,96 | 23,00 | 16,84 | 11,20 |
| | 50 | Q _o | - | 93,50 | 76,34 | 61,53 | 38,02 | 21,28 | 9,92 |
| | | P _e | - | 38,80 | 35,28 | 31,68 | 24,32 | 17,16 | 10,76 |
| AZ-BK-4x4VES-10Y | 20 | Q _o | - | 157,79 | 130,46 | 106,92 | 69,44 | 42,40 | 23,52 |
| | | P _e | - | 22,64 | 22,52 | 21,88 | 19,36 | 15,76 | 11,88 |
| | 30 | Q _o | 163,92 | 136,11 | 112,12 | 91,46 | 58,62 | 35,06 | 18,76 |
| | | P _e | 28,48 | 27,88 | 26,76 | 25,24 | 21,16 | 16,44 | 11,68 |
| | 40 | Q _o | 138,76 | 114,83 | 94,16 | 76,36 | 48,14 | 28,02 | 14,26 |
| | | P _e | 34,12 | 32,48 | 30,44 | 28,04 | 22,64 | 16,84 | 11,40 |
| | 50 | Q _o | 113,63 | 93,68 | 76,42 | 61,55 | 38,01 | 21,35 | 10,10 |
| | | P _e | 39,00 | 36,40 | 33,52 | 30,36 | 23,72 | 17,00 | 10,92 |
| AZ-BK-4x4TES-9Y | 20 | Q _o | - | 188,90 | 156,41 | 128,42 | 83,84 | 51,64 | 29,10 |
| | | P _e | - | 27,68 | 27,56 | 26,80 | 23,68 | 19,28 | 14,48 |
| | 30 | Q _o | - | 163,36 | 134,88 | 110,34 | 71,29 | 43,19 | 23,67 |
| | | P _e | - | 34,72 | 33,28 | 31,32 | 26,24 | 20,36 | 14,56 |
| | 40 | Q _o | - | 138,38 | 113,86 | 92,71 | 59,10 | 35,03 | 18,46 |
| | | P _e | - | 41,08 | 38,40 | 35,32 | 28,40 | 21,20 | 14,52 |
| | 50 | Q _o | - | 113,47 | 92,97 | 75,28 | 47,17 | 27,14 | 13,50 |
| | | P _e | - | 46,76 | 42,88 | 38,76 | 30,16 | 21,76 | 14,28 |
| AZ-BK-4x4TES-12Y | 20 | Q _o | - | 189,13 | 156,57 | 128,53 | 83,88 | 51,63 | 29,08 |
| | | P _e | - | 27,32 | 27,20 | 26,44 | 23,44 | 19,16 | 14,52 |
| | 30 | Q _o | 196,72 | 163,57 | 134,97 | 110,34 | 71,19 | 43,08 | 23,60 |
| | | P _e | 34,60 | 33,92 | 32,60 | 30,72 | 25,88 | 20,16 | 14,52 |
| | 40 | Q _o | 167,00 | 138,46 | 113,80 | 92,58 | 58,90 | 34,87 | 18,40 |
| | | P _e | 41,68 | 39,76 | 37,32 | 34,44 | 27,88 | 20,96 | 14,52 |
| | 50 | Q _o | 137,26 | 113,46 | 92,86 | 75,12 | 47,01 | 27,08 | 13,59 |
| | | P _e | 47,96 | 44,88 | 41,40 | 37,64 | 29,56 | 21,56 | 14,44 |

Additional fan cooling required for compressor heads. Compressor operating range p. 8.

► COOLING CAPACITY AND POWER CONSUMPTION FOR R404A

| TYPE | t _c | Q _o COOLING CAPACITY [kW] | | | | | | | |
|-----------------|----------------|---------------------------------------|------------------------------|--------|--------|--------|--------|--------|-------|
| | | P _e POWER CONSUMPTION [kW] | EVAPORATION TEMPERATURE [°C] | | | | | | |
| | | | 5 | 0 | -5 | -10 | -20 | -30 | -40 |
| AZ-BK-4x4HE-18Y | 20 | Q _o | - | 331,20 | 276,31 | 228,78 | 152,34 | 96,14 | 55,72 |
| | | P _e | - | 49,68 | 49,24 | 47,88 | 42,92 | 35,88 | 27,84 |
| | 30 | Q _o | - | 290,70 | 242,12 | 200,00 | 132,20 | 82,39 | 46,71 |
| | | P _e | - | 62,64 | 60,08 | 56,80 | 48,48 | 38,84 | 28,84 |
| | 40 | Q _o | - | 248,98 | 206,92 | 170,38 | 111,52 | 68,33 | 37,56 |
| | | P _e | - | 74,00 | 69,44 | 64,32 | 52,92 | 40,80 | 29,12 |
| | 50 | Q _o | - | 205,76 | 170,57 | 139,92 | 90,48 | 54,27 | 28,66 |
| | | P _e | - | 83,60 | 77,28 | 70,44 | 56,12 | 41,76 | 28,56 |
| AZ-BK-4x4HE-25Y | 20 | Q _o | - | 329,08 | 274,22 | 226,74 | 150,39 | 94,29 | 53,99 |
| | | P _e | - | 48,52 | 48,08 | 46,76 | 41,96 | 35,16 | 27,24 |
| | 30 | Q _o | 344,14 | 288,20 | 239,67 | 197,60 | 129,91 | 80,23 | 44,70 |
| | | P _e | 62,20 | 60,60 | 58,20 | 55,04 | 47,12 | 37,76 | 28,00 |
| | 40 | Q _o | 294,45 | 246,15 | 204,14 | 167,66 | 108,92 | 65,89 | 35,31 |
| | | P _e | 74,52 | 70,96 | 66,72 | 61,88 | 51,04 | 39,40 | 27,96 |
| | 50 | Q _o | 242,92 | 202,67 | 167,52 | 136,94 | 87,64 | 51,63 | 26,23 |
| | | P _e | 84,80 | 79,56 | 73,64 | 67,28 | 53,76 | 40,00 | 27,04 |
| AZ-BK-4x4GE-23Y | 20 | Q _o | - | 380,86 | 317,94 | 263,46 | 175,85 | 111,44 | 65,14 |
| | | P _e | - | 59,32 | 58,48 | 56,64 | 50,40 | 41,88 | 32,36 |
| | 30 | Q _o | - | 335,13 | 279,44 | 231,16 | 153,45 | 96,38 | 55,53 |
| | | P _e | - | 74,88 | 71,52 | 67,36 | 57,20 | 45,64 | 33,92 |
| | 40 | Q _o | - | 287,16 | 239,11 | 197,37 | 130,14 | 80,83 | 45,71 |
| | | P _e | - | 88,40 | 82,80 | 76,52 | 62,72 | 48,36 | 34,72 |
| | 50 | Q _o | - | 237,04 | 197,11 | 162,34 | 106,24 | 65,14 | 36,05 |
| | | P _e | - | 100,40 | 92,40 | 84,00 | 66,88 | 50,00 | 34,72 |
| AZ-BK-4x4GE-30Y | 20 | Q _o | - | 377,24 | 314,36 | 259,95 | 172,49 | 108,25 | 62,16 |
| | | P _e | - | 56,88 | 56,04 | 54,28 | 48,40 | 40,32 | 31,12 |
| | 30 | Q _o | 394,92 | 330,83 | 275,22 | 227,03 | 149,52 | 92,67 | 52,06 |
| | | P _e | 72,76 | 70,64 | 67,60 | 63,76 | 54,40 | 43,52 | 32,24 |
| | 40 | Q _o | 337,46 | 282,32 | 234,35 | 192,71 | 125,70 | 76,64 | 41,80 |
| | | P _e | 86,40 | 82,40 | 77,20 | 71,56 | 59,00 | 45,60 | 32,52 |
| | 50 | Q _o | 277,41 | 231,77 | 191,92 | 157,25 | 101,39 | 60,58 | 31,81 |
| | | P _e | 98,00 | 91,60 | 84,80 | 77,68 | 62,24 | 46,56 | 31,84 |
| AZ-BK-4x4FE-28Y | 20 | Q _o | - | 450,56 | 376,08 | 311,67 | 208,33 | 132,68 | 78,70 |
| | | P _e | - | 71,28 | 70,32 | 68,08 | 60,64 | 50,48 | 39,16 |
| | 30 | Q _o | - | 394,91 | 329,70 | 273,14 | 182,02 | 114,98 | 66,84 |
| | | P _e | - | 88,40 | 85,20 | 80,40 | 68,80 | 55,08 | 40,84 |
| | 40 | Q _o | - | 337,52 | 281,89 | 233,44 | 154,94 | 96,72 | 54,50 |
| | | P _e | - | 104,00 | 98,00 | 91,20 | 75,32 | 58,16 | 41,24 |
| | 50 | Q _o | - | 278,28 | 232,57 | 192,51 | 127,08 | 77,96 | 41,76 |
| | | P _e | - | 117,20 | 108,80 | 99,60 | 80,00 | 59,64 | 40,16 |
| AZ-BK-4x4FE-35Y | 20 | Q _o | - | 449,04 | 374,58 | 310,20 | 206,92 | 131,34 | 77,43 |
| | | P _e | - | 70,00 | 69,04 | 66,80 | 59,44 | 49,40 | 38,20 |
| | 30 | Q _o | 468,22 | 393,13 | 327,95 | 271,42 | 180,38 | 113,41 | 65,37 |
| | | P _e | 89,20 | 86,80 | 83,20 | 78,84 | 67,32 | 53,76 | 39,68 |
| | 40 | Q _o | 399,24 | 335,49 | 279,89 | 231,48 | 153,07 | 94,95 | 52,86 |
| | | P _e | 106,40 | 101,60 | 96,00 | 89,20 | 73,52 | 56,60 | 39,88 |
| | 50 | Q _o | 328,04 | 276,03 | 230,36 | 190,35 | 125,02 | 76,02 | 39,98 |
| | | P _e | 121,60 | 114,40 | 106,00 | 97,20 | 77,84 | 57,80 | 38,52 |

Additional fan cooling required for compressor heads. Compressor operating range p. 8.

► COOLING CAPACITY AND POWER CONSUMPTION FOR R404A

| TYPE | t _c | Q _o COOLING CAPACITY [kW] | | | | | | | |
|-----------------|----------------|---------------------------------------|--------|--------|--------|--------|--------|--------|--------|
| | | P _e POWER CONSUMPTION [kW] | | | | | | | |
| | | EVAPORATION TEMPERATURE [°C] | | | | | | | |
| | | | 5 | 0 | -5 | -10 | -20 | -30 | -40 |
| AZ-BK-4x6HE-28Y | 20 | Q _o | - | 487,68 | 406,97 | 337,12 | 224,83 | 142,34 | 83,14 |
| | | P _e | - | 73,84 | 73,08 | 70,96 | 63,24 | 52,48 | 40,40 |
| | 30 | Q _o | - | 426,68 | 355,48 | 293,76 | 194,43 | 121,48 | 69,26 |
| | | P _e | - | 91,60 | 88,40 | 83,60 | 71,32 | 56,84 | 41,84 |
| | 40 | Q _o | - | 365,39 | 303,78 | 250,26 | 164,01 | 100,68 | 55,52 |
| | | P _e | - | 108,00 | 102,00 | 94,40 | 77,96 | 59,88 | 42,04 |
| | 50 | Q _o | - | 302,76 | 251,06 | 206,02 | 133,27 | 79,87 | 41,97 |
| | | P _e | - | 122,40 | 113,60 | 103,60 | 82,80 | 61,28 | 40,72 |
| AZ-BK-4x6HE-35Y | 20 | Q _o | - | 484,51 | 403,86 | 334,06 | 221,90 | 139,56 | 80,53 |
| | | P _e | - | 72,48 | 71,76 | 69,68 | 62,32 | 52,00 | 40,36 |
| | 30 | Q _o | 504,91 | 422,94 | 351,81 | 290,16 | 191,00 | 118,24 | 66,24 |
| | | P _e | 91,60 | 89,60 | 86,00 | 81,60 | 70,08 | 56,24 | 41,76 |
| | 40 | Q _o | 431,84 | 361,14 | 299,61 | 246,18 | 160,12 | 97,02 | 52,12 |
| | | P _e | 109,20 | 104,80 | 98,80 | 92,00 | 76,48 | 59,24 | 41,96 |
| | 50 | Q _o | 357,16 | 298,10 | 246,50 | 201,56 | 129,04 | 75,90 | 38,28 |
| | | P _e | 124,80 | 117,60 | 109,60 | 100,80 | 81,20 | 60,56 | 40,44 |
| AZ-BK-4x6GE-34Y | 20 | Q _o | - | 563,04 | 470,46 | 390,36 | 261,76 | 167,48 | 100,05 |
| | | P _e | - | 90,40 | 88,40 | 85,20 | 75,60 | 62,84 | 48,96 |
| | 30 | Q _o | - | 491,59 | 410,78 | 340,70 | 227,81 | 144,74 | 85,12 |
| | | P _e | - | 110,80 | 106,00 | 100,00 | 85,60 | 68,84 | 51,92 |
| | 40 | Q _o | - | 420,86 | 351,71 | 291,54 | 194,26 | 122,39 | 70,63 |
| | | P _e | - | 130,40 | 122,80 | 114,00 | 94,40 | 73,84 | 53,84 |
| | 50 | Q _o | - | 348,75 | 291,38 | 241,24 | 159,80 | 99,36 | 55,73 |
| | | P _e | - | 148,80 | 138,00 | 126,40 | 102,00 | 77,32 | 54,16 |
| AZ-BK-4x6GE-40Y | 20 | Q _o | - | 555,06 | 462,45 | 382,38 | 253,97 | 160,06 | 93,13 |
| | | P _e | - | 87,20 | 85,60 | 82,40 | 73,36 | 61,20 | 47,72 |
| | 30 | Q _o | 574,72 | 481,77 | 401,12 | 331,21 | 218,73 | 136,17 | 77,13 |
| | | P _e | 108,00 | 105,20 | 100,80 | 95,20 | 81,60 | 66,04 | 49,64 |
| | 40 | Q _o | 488,73 | 409,63 | 340,72 | 280,80 | 184,05 | 112,76 | 61,64 |
| | | P _e | 127,20 | 121,60 | 114,80 | 106,80 | 89,20 | 69,64 | 50,20 |
| | 50 | Q _o | 401,70 | 336,51 | 279,41 | 229,56 | 148,70 | 88,90 | 45,95 |
| | | P _e | 144,40 | 136,40 | 126,80 | 116,80 | 94,40 | 71,36 | 48,68 |
| AZ-BK-4x6FE-44Y | 20 | Q _o | - | 675,84 | 564,12 | 467,50 | 312,50 | 199,03 | 118,05 |
| | | P _e | - | 108,80 | 107,20 | 104,00 | 93,20 | 78,32 | 61,68 |
| | 30 | Q _o | - | 592,36 | 494,54 | 409,70 | 273,04 | 172,46 | 100,25 |
| | | P _e | - | 133,60 | 128,80 | 122,00 | 105,20 | 85,20 | 64,20 |
| | 40 | Q _o | - | 506,28 | 422,84 | 350,15 | 232,40 | 145,07 | 81,74 |
| | | P _e | - | 156,00 | 147,20 | 137,20 | 114,40 | 89,60 | 64,76 |
| | 50 | Q _o | - | 417,42 | 348,85 | 288,77 | 190,63 | 116,95 | 62,65 |
| | | P _e | - | 174,80 | 162,80 | 149,60 | 121,20 | 91,60 | 63,20 |
| AZ-BK-4x6FE-50Y | 20 | Q _o | - | 670,05 | 558,43 | 461,92 | 307,15 | 193,94 | 113,26 |
| | | P _e | - | 106,40 | 104,80 | 101,60 | 90,40 | 75,60 | 58,88 |
| | 30 | Q _o | 698,18 | 585,62 | 487,91 | 403,19 | 266,80 | 166,54 | 94,70 |
| | | P _e | 133,60 | 130,40 | 125,20 | 118,40 | 101,60 | 81,60 | 60,56 |
| | 40 | Q _o | 594,12 | 498,58 | 415,27 | 342,73 | 225,32 | 138,38 | 75,52 |
| | | P _e | 158,40 | 151,20 | 142,80 | 132,80 | 110,00 | 84,80 | 60,00 |
| | 50 | Q _o | 486,85 | 408,91 | 340,50 | 280,58 | 182,80 | 109,58 | 55,88 |
| | | P _e | 179,20 | 168,40 | 156,80 | 143,60 | 115,20 | 85,60 | 56,96 |

Additional fan cooling required for compressor heads. Compressor operating range p. 8.

Cooling capacity data based on suction gas temperature +20°C, without liquid subcooling.

t_c – condensing temperature [°C], t_o – evaporation temperature [°C]

Q_o – cooling capacity [kW], P_e – power consumption [kW]

TECHNICAL DATA

| COMPRESSOR TYPE | Total displacement at 1450 min ⁻¹ [m ³ /h] | Number of cylinders | Oil charge [l] | POWER SUPPLY | Max. operating current [A] | Max. power [kW] | Sound pressure level ¹⁾ [dB(A)] | |
|--------------------------|--|---------------------|----------------|--|----------------------------|------------------|--|-------------|
| 2x2GES-2Y | 15,16 | 2x2 | 2x1,0 | Y | 2x5,0 | 2x2,7 | 38 / 38,5 | |
| 2x2FES-2Y 2x2FES-3Y | 19,08 | 2x2 | 2x1,0 | | 2x5,3 2x6,1 | 2x2,9 2x3,4 | 40,5 / 40,5 | |
| 2x2EES-2Y 2x2EES-3Y | 22,8 | 2x2 | 2x1,5 | | 2x6,0 2x7,5 | 2x3,3 2x3,8 | 41,0 / 43,0 | |
| 2x2DES-2Y 2x2DES-3Y | 26,8 | 2x2 | 2x1,5 | 380 – 420 V Y / 3 / 50 Hz 440 – 480 V Y / 3 / 60 Hz | 2x7,5 2x8,6 | 2x4,0 2x4,6 | 41,5 / 44,0 | |
| 2x2CES-3Y 2x2CES-4Y | 32,4 | 2x2 | 2x1,5 | | 2x9,1 2x10,0 | 2x5,0 2x5,6 | 42,0 / 45,0 | |
| 2x4FES-3Y 2x4FES-5Y | 36,2 | 2x4 | 2x2,0 | | 2x9,5 2x10,8 | 2x5,3 2x5,8 | 43,6 / 45,5 | |
| 2x4EES-4Y 2x4EES-6Y | 45,4 | 2x4 | 2x2,0 | | 2x12,2 2x13,6 | 2x6,9 2x7,6 | 46,6 / 46,5 | |
| 2x4DES-5Y 2x4DES-7Y | 53,6 | 2x4 | 2x2,0 | | 2x14,5 2x16,5 | 2x8,1 2x8,9 | 48,6 / 49,5 | |
| 2x4CES-6Y 2x4CES-9Y | 65 | 2x4 | 2x2,0 | | 2x17,7 2x20,2 | 2x9,7 2x11,3 | 49,1 / 51,5 | |
| 2x4BES-9Y | 72,3 | 2x4 | 2x2,0 | | 2x18,0 | 2x12,3 | 49,1 / 51,5 | |
| 2x4VES-7Y 2x4VES-10Y | 69,4 | 2x4 | 2x2,6 | | PW YY 50/50 | 2x16,6 2x19,9 | 2x11,0 2x12,0 | 47,5 / 52,4 |
| 2x4TES-9Y 2x4TES-12Y | 82,6 | 2x4 | 2x2,6 | | | 2x19,9 2x25,1 | 2x13,0 2x14,0 | 49,3 / 53,9 |
| 2x4PES-12Y 2x4PES-15Y | 97 | 2x4 | 2x2,6 | | | 2x22,7 2x28,2 | 2x14,0 2x16,0 | 51,3 / 54,9 |
| 2x4NES-14Y 2x4NES-20Y | 112,4 | 2x4 | 2x2,6 | 2x26,6 2x33,2 | | 2x17,0 2x19,0 | 53,3 / 57,9 | |
| 2x4JE-15Y 2x4JE-22Y | 127 | 2x4 | 2x4,0 | 2x30,8 2x37,2 | | 2x19,0 2x21,0 | 52,5 / 56,0 | |
| 2x4HE-18Y 2x4HE-25Y | 147,4 | 2x4 | 2x4,0 | 2x36,7 2x44,0 | | 2x22,0 2x25,0 | 53,0 / 56,0 | |
| 2x4GE-23Y 2x4GE-30Y | 169,2 | 2x4 | 2x4,5 | 2x43,9 2x51,2 | | 2x27,0 2x28,0 | 56 / 61,5 | |
| 2x4FE-28Y 2x4FE-35Y | 203,6 | 2x4 | 2x4,5 | 2x52,8 2x62,1 | | 2x31,0 2x35,0 | 56,0 / 61,5 | |
| 2x6HE-28Y 2x6HE-35Y | 221 | 2x6 | 2x4,75 | 2x53,2 2x64,4 | | 2x33,0 2x36,0 | 56,8 / 64,5 | |
| 2x6GE-34Y 2x6GE-40Y | 253,6 | 2x6 | 2x4,75 | 2x65,5 2x73,9 | | 2x40,0 2x42,0 | 58,5 / 65,5 | |
| 2x6FE-44Y 2x6FE-50Y | 303,2 | 2x6 | 2x4,75 | 2x83,2 2x96,2 | 2x46,0 2x51,0 | 57,8 / 65,5 | | |

¹⁾ Sound pressure level values are based on free field area with semi-spherical sound emission at 10 m distance and working conditions t_o= -10°C/ -35°C, tolerance ±2 dB(A).

TECHNICAL DATA

| COMPRESSOR TYPE | Total displacement at 1450 min ⁻¹ [m ³ /h] | Number of cylinders | Oil charge [l] | POWER SUPPLY | Max. operating current [A] | Max. power [kW] | Sound pressure level ¹⁾ [dB(A)] |
|--------------------------|--|---------------------|----------------|---|----------------------------|------------------|--|
| 3x2GES-2Y | 22,74 | 3x2 | 3x1,0 | Y 380 – 420 V Y / 3 / 50 Hz 440 – 480 V Y / 3 / 60 Hz | 3x5,0 | 3x2,7 | 39,8 / 40,3 |
| 3x2FES-2Y 3x2FES-3Y | 28,62 | 3x2 | 3x1,0 | | 3x5,3 3x6,1 | 3x2,9 3x3,4 | 42,3 / 42,3 |
| 3x2EES-2Y 3x2EES-3Y | 34,2 | 3x2 | 3x1,5 | | 3x6,0 3x7,5 | 3x3,3 3x3,8 | 42,8 / 44,8 |
| 3x2DES-2Y 3x2DES-3Y | 40,2 | 3x2 | 3x1,5 | | 3x7,5 3x8,6 | 3x4,0 3x4,6 | 43,3 / 45,8 |
| 3x2CES-3Y 3x2CES-4Y | 48,6 | 3x2 | 3x1,5 | | 3x9,1 3x10,0 | 3x5,0 3x5,6 | 43,8 / 46,8 |
| 3x4FES-3Y 3x4FES-5Y | 54,3 | 3x4 | 3x2,0 | | 3x9,5 3x10,8 | 3x5,3 3x5,8 | 45,4 / 47,3 |
| 3x4EES-4Y 3x4EES-6Y | 68,1 | 3x4 | 3x2,0 | | 3x12,2 3x13,6 | 3x6,9 3x7,6 | 48,4 / 49,3 |
| 3x4DES-5Y 3x4DES-7Y | 80,4 | 3x4 | 3x2,0 | | 3x14,5 3x16,5 | 3x8,1 3x8,9 | 50,4 / 51,3 |
| 3x4CES-6Y 3x4CES-9Y | 97,5 | 3x4 | 3x2,0 | | 3x17,7 3x20,2 | 3x9,7 3x11,3 | 50,9 / 53,3 |
| 3x4BES-9Y | 108,4 | 3x4 | 3x2,0 | | 3x18,0 | 3x12,3 | 50,9 / 53,3 |
| 3x4VES-7Y 3x4VES-10Y | 104,1 | 3x4 | 3x2,6 | PW YY 50/50 380 – 420 V YY / 3 / 50 Hz 440 – 480 V YY / 3 / 60 Hz | 3x16,6 3x19,9 | 3x11,0 3x12,0 | 49,3 / 54,2 |
| 3x4TES-9Y 3x4TES-12Y | 123,9 | 3x4 | 3x2,6 | | 3x19,9 3x25,1 | 3x13,0 3x14,0 | 51,1 / 55,7 |
| 3x4PES-12Y 3x4PES-15Y | 145,5 | 3x4 | 3x2,6 | | 3x22,7 3x28,2 | 3x14,0 3x16,0 | 53,1 / 56,7 |
| 3x4NES-14Y 3x4NES-20Y | 168,6 | 3x4 | 3x2,6 | | 3x26,6 3x33,2 | 3x17,0 3x19,0 | 55,1 / 59,7 |
| 3x4JE-15Y 3x4JE-22Y | 190,5 | 3x4 | 3x4,0 | | 3x30,8 3x37,2 | 3x19,0 3x21,0 | 54,3 / 57,8 |
| 3x4HE-18Y 3x4HE-25Y | 221,1 | 3x4 | 3x4,0 | | 3x36,7 3x44,0 | 3x22,0 3x25,0 | 54,8 / 57,8 |
| 3x4GE-23Y 3x4GE-30Y | 253,8 | 3x4 | 3x4,5 | | 3x43,9 3x51,2 | 3x27,0 3x28,0 | 57,8 / 63,3 |
| 3x4FE-28Y 3x4FE-35Y | 305,4 | 3x4 | 3x4,5 | | 3x52,8 3x62,1 | 3x31,0 3x35,0 | 57,8 / 63,3 |
| 3x6HE-28Y 3x6HE-35Y | 331,5 | 3x6 | 3x4,75 | | 3x53,2 3x64,4 | 3x33,0 3x36,0 | 58,6 / 66,3 |
| 3x6GE-34Y 3x6GE-40Y | 380,4 | 3x6 | 3x4,75 | | 3x65,5 3x73,9 | 3x40,0 3x42,0 | 60,3 / 66,3 |
| 3x6FE-44Y 3x6FE-50Y | 454,8 | 3x6 | 3x4,75 | 3x83,2 3x96,2 | 3x46,0 3x51,0 | 59,6 / 67,3 | |

¹⁾ Sound pressure level values are based on free field area with semi-spherical sound emission at 10 m distance and working conditions t_e = -10°C / -35°C, tolerance ±2 dB(A).

TECHNICAL DATA

| COMPRESSOR TYPE | Total displacement at 1450 min ⁻¹ [m ³ /h] | Number of cylinders | Oil charge [l] | POWER SUPPLY | Max. operating current [A] | Max. power [kW] | Sound pressure level ¹⁾ [dB(A)] |
|--------------------------|--|---------------------|----------------|---|----------------------------|------------------|--|
| 4x2GES-2Y | 30,32 | 4x2 | 4x1,0 | Y 380 – 420 V Y / 3 / 50 Hz 440 – 480 V Y / 3 / 60 Hz | 4x5,0 | 4x2,7 | 41,0 / 41,5 |
| 4x2FES-2Y 4x2FES-3Y | 38,16 | 4x2 | 4x1,0 | | 4x5,3 4x6,1 | 4x2,9 4x3,4 | 43,5 / 43,5 |
| 4x2EES-2Y 4x2EES-3Y | 45,6 | 4x2 | 4x1,5 | | 4x6,0 4x7,5 | 4x3,3 4x3,8 | 44,0 / 46,0 |
| 4x2DES-2Y 4x2DES-3Y | 53,6 | 4x2 | 4x1,5 | | 4x7,5 4x8,6 | 4x4,0 4x4,6 | 44,5 / 47,0 |
| 4x2CES-3Y 4x2CES-4Y | 64,8 | 4x2 | 4x1,5 | | 4x9,1 4x10,0 | 4x5,0 4x5,6 | 45,0 / 48,0 |
| 4x4FES-3Y 4x4FES-5Y | 72,4 | 4x4 | 4x2,0 | | 4x9,5 4x10,8 | 4x5,3 4x5,8 | 46,6 / 48,5 |
| 4x4EES-4Y 4x4EES-6Y | 90,8 | 4x4 | 4x2,0 | | 4x12,2 4x13,6 | 4x6,9 4x7,6 | 49,6 / 50,5 |
| 4x4DES-5Y 4x4DES-7Y | 107,2 | 4x4 | 4x2,0 | | 4x14,5 4x16,5 | 4x8,1 4x8,9 | 51,6 / 52,5 |
| 4x4CES-6Y 4x4CES-9Y | 130 | 4x4 | 4x2,0 | | 4x17,7 4x20,2 | 4x9,7 4x11,3 | 52,1 / 54,5 |
| 4x4BES-9Y | 144,5 | 4x4 | 4x2,0 | | 4x18,0 | 4x12,3 | 52,1 / 54,5 |
| 4x4VES-7Y 4x4VES-10Y | 138,8 | 4x4 | 4x2,6 | PW YY 50/50 380 – 420 V YY / 3 / 50 Hz 440 – 480 V YY / 3 / 60 Hz | 4x16,6 4x19,9 | 4x11,0 4x12,0 | 50,5 / 55,4 |
| 4x4TES-9Y 4x4TES-12Y | 165,2 | 4x4 | 4x2,6 | | 4x19,9 4x25,1 | 4x13,0 4x14,0 | 52,3 / 56,9 |
| 4x4PES-12Y 4x4PES-15Y | 194 | 4x4 | 4x2,6 | | 4x22,7 4x28,2 | 4x14,0 4x16,0 | 54,3 / 57,9 |
| 4x4NES-14Y 4x4NES-20Y | 224,8 | 4x4 | 4x2,6 | | 4x26,6 4x33,2 | 4x17,0 4x19,0 | 56,3 / 60,9 |
| 4x4JE-15Y 4x4JE-22Y | 254 | 4x4 | 4x4,0 | | 4x30,8 4x37,2 | 4x19,0 4x21,0 | 55,5 / 59,0 |
| 4x4HE-18Y 4x4HE-25Y | 294,8 | 4x4 | 4x4,0 | | 4x36,7 4x44,0 | 4x22,0 4x25,0 | 56,0 / 59,0 |
| 4x4GE-23Y 4x4GE-30Y | 338,4 | 4x4 | 4x4,5 | | 4x43,9 4x51,2 | 4x27,0 4x28,0 | 59,0 / 64,5 |
| 4x4FE-28Y 4x4FE-35Y | 407,2 | 4x4 | 4x4,5 | | 4x52,8 4x62,1 | 4x31,0 4x35,0 | 59,0 / 64,5 |
| 4x6HE-28Y 4x6HE-35Y | 442 | 4x6 | 4x4,75 | | 4x53,2 4x64,4 | 4x33,0 4x36,0 | 59,8 / 67,5 |
| 4x6GE-34Y 4x6GE-40Y | 507,2 | 4x6 | 4x4,75 | | 4x65,5 4x73,9 | 4x40,0 4x42,0 | 61,5 / 67,5 |
| 4x6FE-44Y 4x6FE-50Y | 606,4 | 4x6 | 4x4,75 | 4x83,2 4x96,2 | 4x46,0 4x51,0 | 60,8 / 68,5 | |

¹⁾ Sound pressure level values are based on free field area with semi-spherical sound emission at 10 m distance and working conditions t_a = -10°C / -35°C, tolerance ±2 dB(A).

CONNECTION DIMENSIONS

| MEDIUM TEMPERATURE RANGE | | | | | | |
|--------------------------|--------------------|--------|--------|----------------------|------|------|
| TYPE | SUCTION CONNECTION | | | DISCHARGE CONNECTION | | |
| | 2x | 3x | 4x | 2x | 3x | 4x |
| AZ-BK-...2GES-2Y | Cu22 | Cu28 | Cu35 | Cu12 | Cu16 | Cu16 |
| AZ-BK-...2FES-2Y | Cu28 | Cu35 | Cu35 | Cu16 | Cu16 | Cu22 |
| AZ-BK-...2FES-3Y | Cu28 | Cu35 | Cu35 | Cu16 | Cu16 | Cu22 |
| AZ-BK-...2EES-2Y | Cu28 | Cu35 | Cu42 | Cu16 | Cu16 | Cu22 |
| AZ-BK-...2EES-3Y | Cu28 | Cu35 | Cu42 | Cu16 | Cu16 | Cu22 |
| AZ-BK-...2DES-2Y | Cu28 | Cu35 | Cu42 | Cu16 | Cu22 | Cu22 |
| AZ-BK-...2DES-3Y | Cu28 | Cu35 | Cu42 | Cu16 | Cu22 | Cu22 |
| AZ-BK-...2CES-3Y | Cu35 | Cu42 | Cu54 | Cu16 | Cu22 | Cu28 |
| AZ-BK-...2CES-4Y | Cu35 | Cu42 | Cu54 | Cu16 | Cu22 | Cu28 |
| AZ-BK-...4FES-3Y | Cu35 | Cu42 | Cu54 | Cu22 | Cu22 | Cu28 |
| AZ-BK-...4FES-5Y | Cu35 | Cu42 | Cu54 | Cu22 | Cu22 | Cu28 |
| AZ-BK-...4EES-4Y | Cu42 | Cu54 | Cu54 | Cu22 | Cu22 | Cu28 |
| AZ-BK-...4EES-6Y | Cu42 | Cu54 | Cu54 | Cu22 | Cu22 | Cu28 |
| AZ-BK-...4DES-5Y | Cu42 | Cu54 | Cu64 | Cu28 | Cu28 | Cu35 |
| AZ-BK-...4DES-7Y | Cu42 | Cu54 | Cu64 | Cu28 | Cu28 | Cu35 |
| AZ-BK-...4CES-6Y | Cu42 | Cu54 | Cu64 | Cu28 | Cu28 | Cu35 |
| AZ-BK-...4CES-9Y | Cu42 | Cu54 | Cu64 | Cu28 | Cu28 | Cu35 |
| AZ-BK-...4VES-7Y | Cu54 | Cu64 | Cu64 | Cu28 | Cu28 | Cu35 |
| AZ-BK-...4VES-10Y | Cu54 | Cu64 | Cu64 | Cu28 | Cu28 | Cu35 |
| AZ-BK-...4TES-9Y | Cu54 | Cu64 | Cu76 | Cu28 | Cu35 | Cu42 |
| AZ-BK-...4TES-12Y | Cu54 | Cu64 | Cu76 | Cu28 | Cu35 | Cu42 |
| AZ-BK-...4PES-12Y | Cu54 | Cu64 | Cu76 | Cu35 | Cu35 | Cu42 |
| AZ-BK-...4PES-15Y | Cu54 | Cu64 | Cu76 | Cu35 | Cu35 | Cu42 |
| AZ-BK-...4NES-14Y | Cu64 | Cu76 | Cu88,9 | Cu35 | Cu35 | Cu42 |
| AZ-BK-...4NES-20Y | Cu64 | Cu76 | Cu88,9 | Cu35 | Cu35 | Cu42 |
| AZ-BK-...4JE-15Y | Cu64 | Cu76 | Cu88,9 | Cu35 | Cu42 | Cu42 |
| AZ-BK-...4JE-22Y | Cu64 | Cu76 | Cu88,9 | Cu35 | Cu42 | Cu42 |
| AZ-BK-...4HE-18Y | Cu64 | Cu88,9 | Cu88,9 | Cu35 | Cu42 | Cu54 |
| AZ-BK-...4HE-25Y | Cu64 | Cu88,9 | Cu88,9 | Cu35 | Cu42 | Cu54 |
| AZ-BK-...4GE-23Y | Cu76 | Cu88,9 | DN100 | Cu35 | Cu42 | Cu54 |
| AZ-BK-...4GE-30Y | Cu76 | Cu88,9 | DN100 | Cu35 | Cu42 | Cu54 |
| AZ-BK-...4FE-28Y | Cu76 | Cu88,9 | DN100 | Cu35 | Cu42 | Cu54 |
| AZ-BK-...4FE-35Y | Cu76 | Cu88,9 | DN100 | Cu35 | Cu42 | Cu54 |
| AZ-BK-...6HE-28Y | Cu88,9 | DN100 | DN100 | Cu42 | Cu54 | Cu64 |
| AZ-BK-...6HE-35Y | Cu88,9 | DN100 | DN100 | Cu42 | Cu54 | Cu64 |
| AZ-BK-...6GE-34Y | Cu88,9 | DN100 | DN125 | Cu42 | Cu54 | Cu64 |
| AZ-BK-...6GE-40Y | Cu88,9 | DN100 | DN125 | Cu42 | Cu54 | Cu64 |
| AZ-BK-...6FE-44Y | Cu88,9 | DN100 | DN125 | Cu54 | Cu64 | Cu64 |
| AZ-BK-...6FE-50Y | Cu88,9 | DN100 | DN125 | Cu54 | Cu64 | Cu64 |

Cu - copper, DN - steel

CONNECTION DIMENSIONS

| LOW TEMPERATURE RANGE | | | | | | |
|-----------------------|--------------------|--------|--------|----------------------|------|------|
| TYPE | SUCTION CONNECTION | | | DISCHARGE CONNECTION | | |
| | 2x | 3x | 4x | 2x | 3x | 4x |
| AZ-BK-...2GES-2Y | Cu22 | Cu22 | Cu28 | Cu12 | Cu12 | Cu12 |
| AZ-BK-...2FES-2Y | Cu22 | Cu28 | Cu35 | Cu12 | Cu12 | Cu16 |
| AZ-BK-...2EES-2Y | Cu28 | Cu28 | Cu35 | Cu12 | Cu12 | Cu16 |
| AZ-BK-...2DES-2Y | Cu28 | Cu35 | Cu35 | Cu12 | Cu16 | Cu16 |
| AZ-BK-...2CES-3Y | Cu28 | Cu35 | Cu42 | Cu12 | Cu16 | Cu16 |
| AZ-BK-...4FES-3Y | Cu35 | Cu35 | Cu42 | Cu12 | Cu16 | Cu22 |
| AZ-BK-...4EES-4Y | Cu35 | Cu42 | Cu54 | Cu16 | Cu16 | Cu22 |
| AZ-BK-...4DES-5Y | Cu35 | Cu42 | Cu54 | Cu16 | Cu22 | Cu22 |
| AZ-BK-...4CES-6Y | Cu42 | Cu54 | Cu64 | Cu16 | Cu22 | Cu22 |
| AZ-BK-...4BES-9Y | Cu42 | Cu54 | Cu64 | Cu15 | Cu22 | Cu22 |
| AZ-BK-...4VES-7Y | Cu42 | Cu54 | Cu64 | Cu16 | Cu22 | Cu22 |
| AZ-BK-...4TES-9Y | Cu54 | Cu54 | Cu64 | Cu22 | Cu22 | Cu22 |
| AZ-BK-...4PES-12Y | Cu54 | Cu64 | Cu64 | Cu22 | Cu22 | Cu28 |
| AZ-BK-...4NES-14Y | Cu54 | Cu64 | Cu76 | Cu22 | Cu22 | Cu28 |
| AZ-BK-...4JE-15Y | Cu64 | Cu76 | Cu88,9 | Cu22 | Cu28 | Cu35 |
| AZ-BK-...4HE-18Y | Cu64 | Cu88,9 | Cu88,9 | Cu22 | Cu28 | Cu35 |
| AZ-BK-...4GE-23Y | Cu76 | Cu88,9 | Cu88,9 | Cu28 | Cu28 | Cu35 |
| AZ-BK-...4FE-28Y | Cu76 | Cu88,9 | Cu88,9 | Cu28 | Cu28 | Cu35 |
| AZ-BK-...6HE-28Y | Cu76 | Cu88,9 | DN100 | Cu28 | Cu35 | Cu42 |
| AZ-BK-...6GE-34Y | Cu88,9 | DN100 | DN125 | Cu28 | Cu35 | Cu42 |
| AZ-BK-...6FE-44Y | Cu88,9 | DN100 | DN125 | Cu35 | Cu42 | Cu42 |

Cu - copper, DN - steel

| HIGH TEMPERATURE RANGE | | | | | | |
|------------------------|--------------------|--------|--------|----------------------|------|--------|
| TYPE | SUCTION CONNECTION | | | DISCHARGE CONNECTION | | |
| | 2x | 3x | 4x | 2x | 3x | 4x |
| AZ-BK-...2GES-2Y | Cu28 | Cu35 | Cu35 | Cu15 | Cu22 | Cu22 |
| AZ-BK-...2FES-3Y | Cu28 | Cu35 | Cu35 | Cu15 | Cu22 | Cu22 |
| AZ-BK-...2EES-3Y | Cu28 | Cu35 | Cu42 | Cu22 | Cu22 | Cu28 |
| AZ-BK-...2DES-3Y | Cu35 | Cu42 | Cu42 | Cu22 | Cu22 | Cu28 |
| AZ-BK-...2CES-4Y | Cu35 | Cu42 | Cu54 | Cu22 | Cu28 | Cu28 |
| AZ-BK-...4FES-5Y | Cu35 | Cu42 | Cu54 | Cu22 | Cu28 | Cu35 |
| AZ-BK-...4EES-6Y | Cu42 | Cu54 | Cu54 | Cu28 | Cu35 | Cu35 |
| AZ-BK-...4DES-7Y | Cu42 | Cu54 | Cu64 | Cu28 | Cu35 | Cu35 |
| AZ-BK-...4CES-9Y | Cu54 | Cu54 | Cu64 | Cu28 | Cu35 | Cu35 |
| AZ-BK-...4VES-10Y | Cu54 | Cu64 | Cu76 | Cu35 | Cu35 | Cu42 |
| AZ-BK-...4TES-12Y | Cu54 | Cu64 | Cu76 | Cu35 | Cu42 | Cu54 |
| AZ-BK-...4PES-15Y | Cu64 | Cu76 | Cu76 | Cu35 | Cu42 | Cu54 |
| AZ-BK-...4NES-20Y | Cu64 | Cu76 | Cu88,9 | Cu42 | Cu54 | Cu54 |
| AZ-BK-...4JE-22Y | Cu64 | Cu88,9 | Cu88,9 | Cu42 | Cu54 | Cu54 |
| AZ-BK-...4HE-25Y | Cu76 | Cu88,9 | Cu88,9 | Cu42 | Cu54 | Cu64 |
| AZ-BK-...4GE-30Y | Cu76 | Cu88,9 | DN125 | Cu54 | Cu54 | Cu64 |
| AZ-BK-...4FE-35Y | Cu76 | Cu88,9 | DN125 | Cu54 | Cu64 | Cu76 |
| AZ-BK-...6HE-35Y | Cu88,9 | DN125 | DN125 | Cu54 | Cu64 | Cu76 |
| AZ-BK-...6GE-40Y | Cu88,9 | DN125 | DN125 | Cu54 | Cu64 | Cu76 |
| AZ-BK-...6FE-50Y | DN125 | DN125 | DN125 | Cu64 | Cu76 | Cu88,9 |

Cu - copper, DN - steel

DIMENSIONS AND WEIGHT*

| TYPE | 2-COMPRESSOR (2x) | | | | | | 3-COMPRESSOR (3x) | | | | | |
|-------------------|-------------------|--------|--------|--------|--------|-------------|-------------------|--------|--------|--------|--------|-------------|
| | A [mm] | B [mm] | D [mm] | E [mm] | H [mm] | Weight [kg] | A [mm] | B [mm] | D [mm] | E [mm] | H [mm] | Weight [kg] |
| AZ-BK-...2GES-2Y | 1400 | 950 | 650 | 570 | 750 | 160 | 1850 | 1300 | 650 | 570 | 800 | 222 |
| AZ-BK-...2FES-2Y | 1400 | 950 | 650 | 570 | 800 | 160 | 1850 | 1300 | 650 | 570 | 800 | 222 |
| AZ-BK-...2FES-3Y | 1400 | 950 | 650 | 570 | 750 | 166 | 1850 | 1300 | 650 | 570 | 800 | 229 |
| AZ-BK-...2EES-2Y | 1400 | 950 | 650 | 570 | 750 | 221 | 1850 | 1300 | 650 | 570 | 800 | 313 |
| AZ-BK-...2EES-3Y | 1400 | 950 | 650 | 570 | 750 | 227 | 1850 | 1300 | 650 | 570 | 800 | 326 |
| AZ-BK-...2DES-2Y | 1400 | 950 | 650 | 570 | 800 | 221 | 1850 | 1300 | 650 | 570 | 800 | 316 |
| AZ-BK-...2DES-3Y | 1400 | 950 | 650 | 570 | 750 | 228 | 1850 | 1300 | 650 | 570 | 800 | 328 |
| AZ-BK-...2CES-3Y | 1400 | 950 | 650 | 570 | 750 | 230 | 1850 | 1300 | 650 | 570 | 800 | 330 |
| AZ-BK-...2CES-4Y | 1400 | 950 | 650 | 570 | 750 | 233 | 1850 | 1300 | 650 | 570 | 800 | 335 |
| AZ-BK-...4FES-3Y | 1450 | 750 | 750 | 670 | 850 | 297 | 1900 | 1150 | 750 | 670 | 950 | 412 |
| AZ-BK-...4FES-5Y | 1450 | 750 | 750 | 670 | 850 | 304 | 1900 | 1150 | 750 | 670 | 950 | 423 |
| AZ-BK-...4EES-4Y | 1450 | 750 | 750 | 670 | 850 | 301 | 1900 | 1150 | 750 | 670 | 950 | 420 |
| AZ-BK-...4EES-6Y | 1450 | 750 | 750 | 670 | 850 | 305 | 1900 | 1150 | 750 | 670 | 950 | 425 |
| AZ-BK-...4DES-5Y | 1450 | 750 | 750 | 670 | 850 | 304 | 1900 | 1150 | 750 | 670 | 950 | 428 |
| AZ-BK-...4DES-7Y | 1450 | 750 | 750 | 670 | 850 | 310 | 1900 | 1150 | 750 | 670 | 950 | 438 |
| AZ-BK-...4CES-6Y | 1450 | 750 | 750 | 670 | 850 | 315 | 1900 | 1150 | 750 | 670 | 950 | 447 |
| AZ-BK-...4CES-9Y | 1450 | 750 | 750 | 670 | 850 | 321 | 1900 | 1150 | 750 | 670 | 950 | 453 |
| AZ-BK-...4BES-9Y | 1450 | 750 | 750 | 670 | 850 | 321 | 1900 | 1150 | 750 | 670 | 950 | 453 |
| AZ-BK-...4VES-7Y | 1500 | 750 | 900 | 820 | 950 | 395 | 1950 | 1200 | 900 | 820 | 950 | 564 |
| AZ-BK-...4VES-10Y | 1500 | 750 | 900 | 820 | 950 | 414 | 1950 | 1200 | 900 | 820 | 950 | 592 |
| AZ-BK-...4TES-9Y | 1500 | 750 | 900 | 820 | 950 | 405 | 1950 | 1200 | 900 | 820 | 950 | 578 |
| AZ-BK-...4TES-12Y | 1500 | 750 | 900 | 820 | 950 | 418 | 1950 | 1200 | 900 | 820 | 950 | 598 |
| AZ-BK-...4PES-12Y | 1500 | 750 | 900 | 820 | 950 | 415 | 1950 | 1200 | 900 | 820 | 950 | 594 |
| AZ-BK-...4PES-15Y | 1500 | 750 | 900 | 820 | 950 | 429 | 1950 | 1200 | 900 | 820 | 950 | 617 |
| AZ-BK-...4NES-14Y | 1500 | 750 | 900 | 820 | 950 | 420 | 1950 | 1200 | 900 | 820 | 950 | 601 |
| AZ-BK-...4NES-20Y | 1500 | 750 | 900 | 820 | 950 | 438 | 1950 | 1200 | 900 | 820 | 950 | 627 |
| AZ-BK-...4JE-15Y | 1800 | 1000 | 1150 | 1070 | 1250 | 495 | 2400 | 1600 | 1150 | 1070 | 1200 | 722 |
| AZ-BK-...4JE-22Y | 1800 | 1000 | 1150 | 1070 | 1250 | 516 | 2400 | 1600 | 1150 | 1070 | 1200 | 757 |
| AZ-BK-...4HE-18Y | 1800 | 1000 | 1150 | 1070 | 1250 | 507 | 2400 | 1600 | 1150 | 1070 | 1200 | 741 |
| AZ-BK-...4HE-25Y | 1800 | 1000 | 1150 | 1070 | 1250 | 547 | 2400 | 1600 | 1150 | 1070 | 1200 | 798 |
| AZ-BK-...4GE-23Y | 1800 | 1000 | 1150 | 1070 | 1250 | 524 | 2400 | 1600 | 1150 | 1070 | 1200 | 767 |
| AZ-BK-...4GE-30Y | 1800 | 1000 | 1150 | 1070 | 1250 | 552 | 2400 | 1600 | 1150 | 1070 | 1200 | 807 |
| AZ-BK-...4FE-28Y | 1800 | 1000 | 1150 | 1070 | 1250 | 552 | 2400 | 1600 | 1150 | 1070 | 1200 | 809 |
| AZ-BK-...4FE-35Y | 1800 | 1000 | 1150 | 1070 | 1250 | 555 | 2400 | 1600 | 1150 | 1070 | 1200 | 812 |
| AZ-BK-...6HE-28Y | 1800 | 1000 | 1150 | 1070 | 1250 | 594 | 2400 | 1600 | 1150 | 1070 | 1250 | 864 |
| AZ-BK-...6HE-35Y | 1800 | 1000 | 1150 | 1070 | 1250 | 616 | 2400 | 1600 | 1150 | 1070 | 1250 | 895 |
| AZ-BK-...6GE-34Y | 1800 | 1000 | 1150 | 1070 | 1250 | 603 | 2400 | 1600 | 1150 | 1070 | 1250 | 877 |
| AZ-BK-...6GE-40Y | 1800 | 1000 | 1150 | 1070 | 1250 | 622 | 2400 | 1600 | 1150 | 1070 | 1250 | 905 |
| AZ-BK-...6FE-44Y | 1800 | 1000 | 1150 | 1070 | 1250 | 627 | 2400 | 1600 | 1150 | 1070 | 1250 | 909 |
| AZ-BK-...6FE-50Y | 1800 | 1000 | 1150 | 1070 | 1250 | 632 | 2400 | 1600 | 1150 | 1070 | 1250 | 915 |

* Given dimensions apply to standard design.

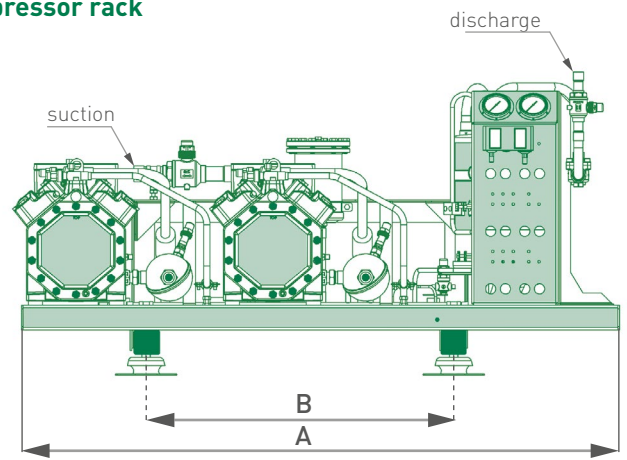
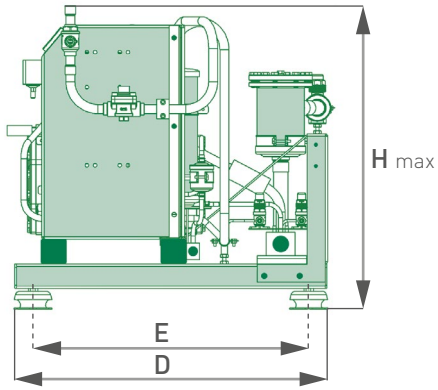
► DIMENSIONS AND WEIGHT*

| TYPE | 4-COMPRESSOR (4x) | | | | | | |
|------------------|-------------------|--------|--------|--------|--------|--------|-------------|
| | A [mm] | B [mm] | C [mm] | D [mm] | E [mm] | H [mm] | Weight [kg] |
| AZ-BK-4x2GES-2Y | 2300 | 940 | 840 | 650 | 570 | 800 | 302 |
| AZ-BK-4x2FES-2Y | 2300 | 940 | 840 | 650 | 570 | 800 | 304 |
| AZ-BK-4x2FES-3Y | 2300 | 940 | 840 | 650 | 570 | 800 | 303 |
| AZ-BK-4x2EES-2Y | 2300 | 940 | 840 | 650 | 570 | 800 | 405 |
| AZ-BK-4x2EES-3Y | 2300 | 940 | 840 | 650 | 570 | 800 | 410 |
| AZ-BK-4x2DES-2Y | 2300 | 940 | 840 | 650 | 570 | 800 | 412 |
| AZ-BK-4x2DES-3Y | 2300 | 940 | 840 | 650 | 570 | 800 | 440 |
| AZ-BK-4x2CES-3Y | 2300 | 940 | 840 | 650 | 570 | 800 | 442 |
| AZ-BK-4x2CES-4Y | 2300 | 940 | 840 | 650 | 570 | 800 | 455 |
| AZ-BK-4x4FES-3Y | 2400 | 800 | 840 | 750 | 670 | 950 | 618 |
| AZ-BK-4x4FES-5Y | 2400 | 800 | 840 | 750 | 670 | 950 | 627 |
| AZ-BK-4x4EES-4Y | 2400 | 800 | 840 | 750 | 670 | 950 | 622 |
| AZ-BK-4x4EES-6Y | 2400 | 800 | 840 | 750 | 670 | 950 | 631 |
| AZ-BK-4x4DES-5Y | 2400 | 800 | 840 | 750 | 670 | 950 | 629 |
| AZ-BK-4x4DES-7Y | 2400 | 800 | 840 | 750 | 670 | 950 | 642 |
| AZ-BK-4x4CES-6Y | 2400 | 800 | 840 | 750 | 670 | 950 | 651 |
| AZ-BK-4x4CES-9Y | 2400 | 800 | 840 | 750 | 670 | 950 | 653 |
| AZ-BK-4x4BES-9Y | 2400 | 800 | 840 | 750 | 670 | 950 | 653 |
| AZ-BK-4x4VES-7Y | 2500 | 840 | 840 | 900 | 820 | 1200 | 813 |
| AZ-BK-4x4VES-10Y | 2500 | 840 | 840 | 900 | 820 | 1200 | 851 |
| AZ-BK-4x4TES-9Y | 2500 | 840 | 840 | 900 | 820 | 1200 | 832 |
| AZ-BK-4x4TES-12Y | 2500 | 840 | 840 | 900 | 820 | 1200 | 858 |
| AZ-BK-4x4PES-12Y | 2500 | 840 | 840 | 900 | 820 | 1200 | 862 |
| AZ-BK-4x4PES-15Y | 2500 | 840 | 840 | 900 | 820 | 1200 | 898 |
| AZ-BK-4x4NES-14Y | 2500 | 840 | 840 | 900 | 820 | 1200 | 877 |
| AZ-BK-4x4NES-20Y | 2500 | 840 | 840 | 900 | 820 | 1200 | 911 |
| AZ-BK-4x4JE-15Y | 3100 | 1125 | 1125 | 1150 | 1070 | 1300 | 1035 |
| AZ-BK-4x4JE-22Y | 3100 | 1125 | 1125 | 1150 | 1070 | 1300 | 1077 |
| AZ-BK-4x4HE-18Y | 3100 | 1125 | 1125 | 1150 | 1070 | 1300 | 1054 |
| AZ-BK-4x4HE-25Y | 3100 | 1125 | 1125 | 1150 | 1070 | 1300 | 1130 |
| AZ-BK-4x4GE-23Y | 3100 | 1125 | 1125 | 1150 | 1070 | 1300 | 1090 |
| AZ-BK-4x4GE-30Y | 3100 | 1125 | 1125 | 1150 | 1070 | 1300 | 1144 |
| AZ-BK-4x4FE-28Y | 3100 | 1125 | 1125 | 1150 | 1070 | 1300 | 1146 |
| AZ-BK-4x4FE-35Y | 3100 | 1125 | 1125 | 1150 | 1070 | 1300 | 1146 |
| AZ-BK-4x6HE-28Y | 3100 | 1125 | 1125 | 1150 | 1070 | 1300 | 1211 |
| AZ-BK-4x6HE-35Y | 3100 | 1125 | 1125 | 1150 | 1070 | 1300 | 1253 |
| AZ-BK-4x6GE-34Y | 3100 | 1125 | 1125 | 1150 | 1070 | 1300 | 1239 |
| AZ-BK-4x6GE-40Y | 3100 | 1125 | 1125 | 1150 | 1070 | 1300 | 1285 |
| AZ-BK-4x6FE-44Y | 3100 | 1125 | 1125 | 1150 | 1070 | 1300 | 1291 |
| AZ-BK-4x6FE-50Y | 3100 | 1125 | 1125 | 1150 | 1070 | 1300 | 1298 |

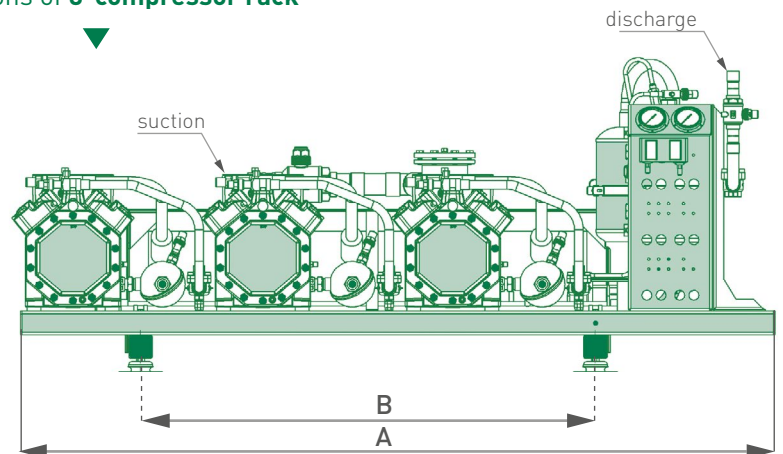
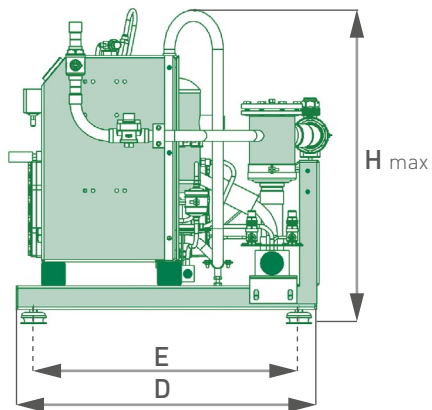
* Given dimensions apply to standard design.

TECHNICAL DRAWINGS

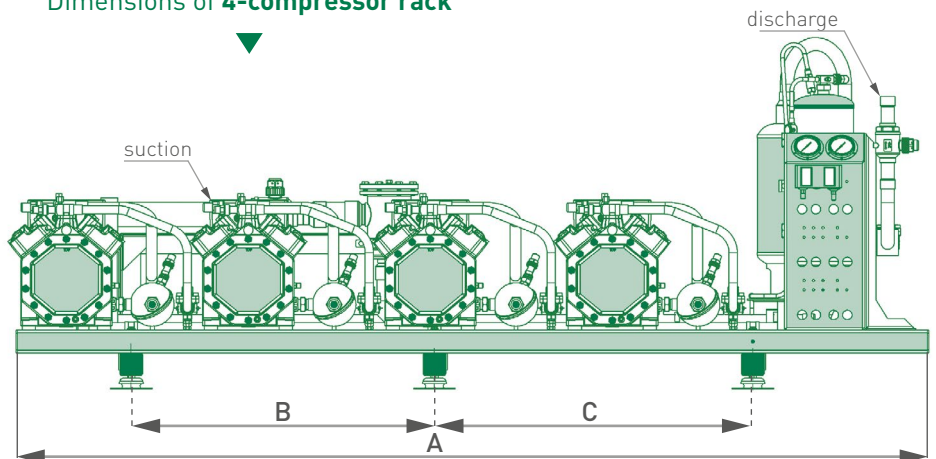
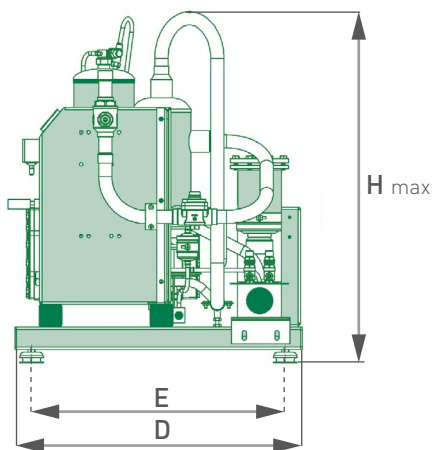
Dimensions of **2-compressor rack**



Dimensions of **3-compressor rack**



Dimensions of **4-compressor rack**



CE DECLARATION OF CONFORMITY

Compressor racks comply with the European Union standards:

- ▶ Machine Directive **2006/42/WE**
- ▶ Low Voltage Directive **2014/35/EU**
- ▶ Pressure Equipment Directive **2014/68/EU**

| | | |
|---|---|---|
| CERTIFIKAT ◆ CERTIFICADO ◆ CERTIFIKAT ◆ CERTIFICATE ◆ 認証証書 ◆ CERTIFICATE ◆ CERTIFIKAT |  |  Industrie Service |
| | <h1 style="margin: 0;">CERTYFIKAT</h1> <h2 style="margin: 0;">Certificate</h2> | |
| | <p>Wewnętrzna kontrola produkcji oraz nadzorowana kontrola urządzeń ciśnieniowych w losowych odstępach czasu (Moduł A2) wg Dyrektywy 2014/68/EU <i>Internal production control plus supervised pressure equipment check at random intervals (Module A2) according to Directive 2014/68/EU</i></p> | |
| | <p>Nr certyfikatu: Z-PL-22-08-0609-001-14/68 A2 73459204 <i>Certificate No.:</i></p> | |
| | <p>Nazwa i adres Wytwórcy: ARKTON Sp. z o. o. <i>Name and postal address of manufacturer:</i> ul. Mórkowska 36 64-115 Wilkowice</p> | |
| | <p>Wytwórca jest uprawniony - po sprawdzeniu wymagań - do oznaczania wytwarzanych przez siebie urządzeń ciśnieniowych w ramach niniejszego zakresu obowiązywania znakiem CE z naszym numerem identyfikacyjnym jak przedstawiono poniżej: <i>The manufacturer is - after examination of the prerequisites - authorised to provide his pressure equipment manufactured within the scope of the examination with our identification number to the CE-mark as illustrated:</i></p> | |
| | <h1 style="font-size: 2em; margin: 0;">CE 0036</h1> | |
| | <p>Nr raportu z badań: P-PL-22-08-0609-001-14/68 A2 73459204 <i>Test report No.:</i></p> | |
| | <p>Zakres obowiązywania: - Zespoły sprężarkowe / Compressor assemblies type AZ... - Agregaty skraplające / (Condensing units type AA... - Wychładzacz cieczy (chillery) / Liquid attemperator (chillers) type AC... - Zespoły sprężarkowe kompaktowe / Compact compressor assemblies type AK... - Market master type MM... - Agregaty sprężarkowe / Compressor units type AS... <i>Scope of examination:</i></p> | |
| | <p>Zakład produkcyjny: ARKTON Sp. z o. o. <i>Manufacturing plant:</i> ul. Mórkowska 36 64-115 Wilkowice</p> | |
| <p>Chorzów, 05 sierpień 2022 (Miejscowość, data) <i>(Place, date)</i></p> | | <p>TÜV SÜD Industrie Service GmbH Jednostka Certyfikująca Urządzenia Ciśnieniowe</p>  <p>inż. Dawid Poleć Jednostka Notyfikowana, Nr id.: 0036 Notified Body No. 0036</p> |
| <p>Proszę zwrócić uwagę na wskazówki na str. 2. Please note the remarks on the second page.</p> | | <p>Tel.: (+48 22) 696 43 96 Fax: (+48 32) 348 90 37 www.tuev-sued.de</p> <p>TUV[®]</p> |
| <p>TÜV SÜD Industrie Service GmbH Oddział w Polsce ul. Podwale 17 PL-00-252 Warszawa</p> | | <p>Członek CONFÉDERATION EUROPÉENNE  D'ORGANISMES DE CONTROLE</p> |
| <p>01/2022 DGR Zertifikat Modul A2</p> | | <p>Certyfikat A2 ARKTON 2022</p>  |

NOTES

Lined area for notes, consisting of 28 horizontal light green bars.

AUTHORIZED SERVICE



BERLING S.A.
Al. Krakowska 80a, PL 05-552 Stefanowo
tel. +48 22 727 84 97
berling@berling.pl www.berling.pl



ARKTON SP. Z O.O.
Ul. Mórkowska 36, PL 64-115 Wilkowice
tel. +48 65 52 52 830
info@arkton.pl www.arkton.pl

Every effort has been made to ensure that the information contained in this catalogue is up to date on the date of publication.

We reserve the right to make changes to the data contained in the catalogue.

Information about changes will be published without delay.